

# CIRCUIT DIAGRAMS

## VOL.4



### FOR PIONEER AUDIO EQUIPMENTS

*Including*

STEREO AMPLIFIER,  
STEREO PREAMPLIFIER,  
STEREO POWER AMPLIFIER,  
AM/FM STEREO TUNER,  
CONSOLE STEREO,  
COMPACT STEREO,  
STEREO TURNTABLE,  
STEREO TAPE DECK,  
SPEAKER SYSTEM, and  
OTHER EQUIPMENT

# PIONEER®

# CONTENTS

## NOTE:

Each model comes in a few versions equipped with slightly different circuits distinguished as follows:

For identification, see round label on rear panel.

### STEREO PREAMPLIFIER

SC-700 ..... 1

### STEREO AMPLIFIERS

SA-500 ..... 5  
SA-500A ..... 11  
SA-600 ..... 15  
SA-700 ..... 19  
SA-800 ..... 23  
SA-900 ..... 29  
SA-1000 ..... 35

### STEREO POWER AMPLIFIER

SM-700 ..... 41

### AM/FM STEREO TUNERS

TX-500 ..... 45  
TX-500A ..... 55  
TX-600 ..... 59  
TX-700 ..... 65  
TX-800 ..... 73  
TX-900 ..... 81  
TX-1000 ..... 89

### QUADRAPHONIC PREAMPLIFIER

QC-800 ..... 97

### QUADRAPHONIC POWER AMPLIFIER

QM-800 ..... 101

### QUADRAPHONIC AMPLIFIER

QA-800 ..... 105

### QUADRALIZER AMPLIFIER

QL-600 ..... 111

### ELECTRONIC CROSSOVER NETWORKS

SF-500 ..... 115  
SF-700 ..... 117

### REVERBERATION AMPLIFIER

SR-202W ..... 121

### STEREO DISPLAY

SD-1000 ..... 125

### STEREO CASSETTE TAPE DECKS

#### STEREO TAPE DECKS

#### 8-TRACK QUADRAPHONIC TAPE DECK

#### 4-CHANNEL STEREO TAPE DECKS

T-3300 ..... 131  
T-3500 ..... 132  
T-6100 ..... 133  
T-6600 ..... 134  
T-8800 CONTROL ..... 135  
T-8800 AMPLIFIER ..... 136  
QT-2100 ..... 137  
QT-6100 ..... 138  
QT-6600 ..... 139

### STEREO TURNTABLES

PL-11/P, PL-11/PV, PL-11A/PV ..... 143  
PL-12/M, PL-12A/PV, PL-12/PV, PL-12/P ..... 143  
PL-15/PV, PU-15/P ..... 143  
PL-12AC/NB ..... 143  
PL-11C/PV, PU-11/P, PL-11AC/PV ..... 143  
PL-12AC/PV, PL-15C/PV ..... 143  
PL-25/F, PL-A25/FV ..... 144  
PL-A25/FVT, PU-A25/FV, PL-30/F ..... 145  
PL-31D/FV, PL-31D/F, PL-A35/PVT ..... 146  
PL-A35/PV, PL-41/F, PL-41A/FV ..... 147  
PL-41D/F, PL-50/PV ..... 148

### SPEAKER SYSTEMS

CS-5, CS-7 ..... 151  
CS-8, CS-10 ..... 152  
CS-15, CS-30, CS-40 ..... 153  
CS-50, CS-60 ..... 154  
CS-100 ..... 155  
CS-22, CS-33, CS-44 ..... 156  
CS-55, CS-66 ..... 157  
CS-77, CS-88 ..... 158  
CS-99 ..... 159  
CS-22A, CS-33A ..... 160  
CS-77A ..... 161  
CS-88A ..... 162  
CS-99A ..... 163  
CS-A500 ..... 164

CS-A700	165
CS-A770	166
CS-E350, CS-E400	167
CS-E500	168
CS-E600	169
CS-E700	170
CS-E900	171
CS-51, CS-52, CS-52T	172
CS-53, CS-54	173
CS-63, CS-63A	174
CS-63DX, CS-05	175
AS-200, AS-303A	176
AS-305A	177
JB-100	178
SE-50	179

**CONSOLE STEREO SYSTEMS**

S-50	181
S-550	189
S-770	195

**COMPACT STEREOS**

C-5600A, C-5600D	201
C-6000A	209

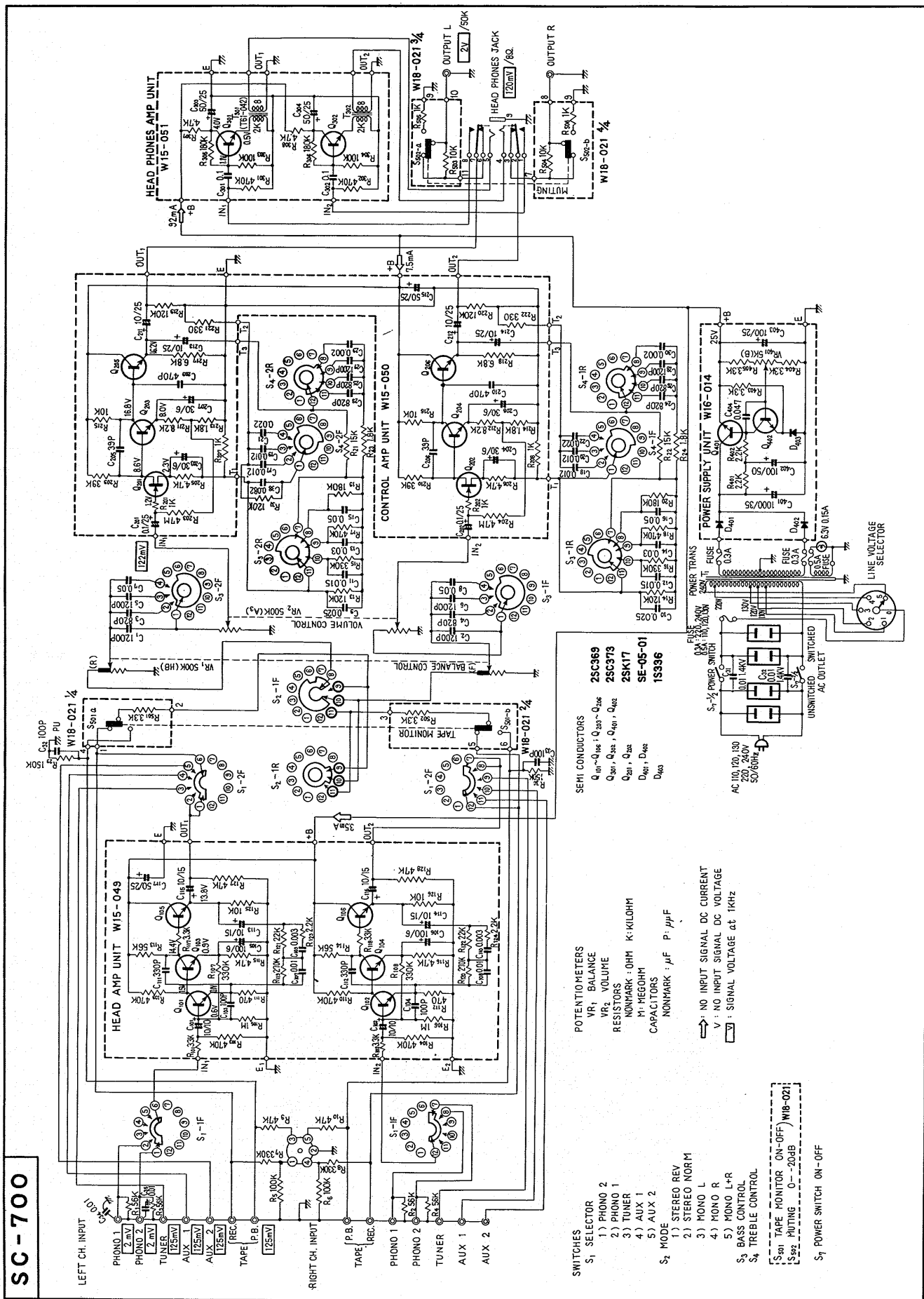
**ANSAFONES**

AF-61A	216
AF-41	217

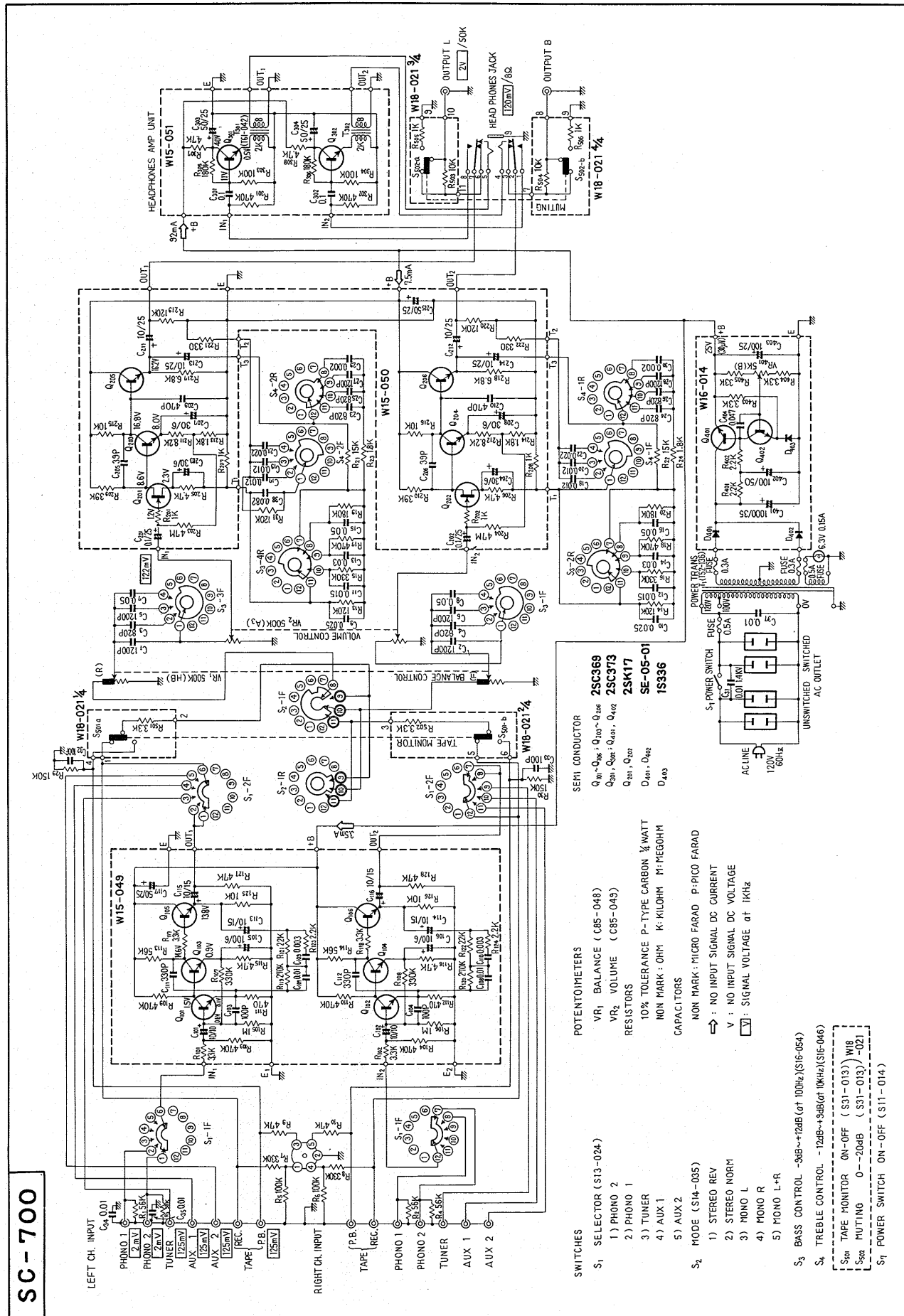
# STEREO PREAMPLIFIER SC-700

ROUND LABEL UNIT	FV	KC	KL			
FM FRONT END						
FM IF UNIT						
MPX UNIT						
AM TUNER UNIT						
MUTING UNIT						
HEAD AMP UNIT	W15-049	W15-049	W15-049			
CONTROL AMP UNIT	W15-050	W15-050	W15-050			
MAIN AMP UNIT						
POWER SUPPLY UNIT	W16-014	W16-014	W16-014			
SWITCH UNIT	W18-021	W18-021	W18-021			
SWITCH UNIT						
SWITCH UNIT						
TONE COLOR UNIT						
CONTROL UNIT						
MIC AMP UNIT						
REVERBE AMP UNIT						
REVERBE UNIT						
HEAD PHONE UNIT	W15-051	W15-051	W15-051			





SC-700 for KC, KL model



SC-700

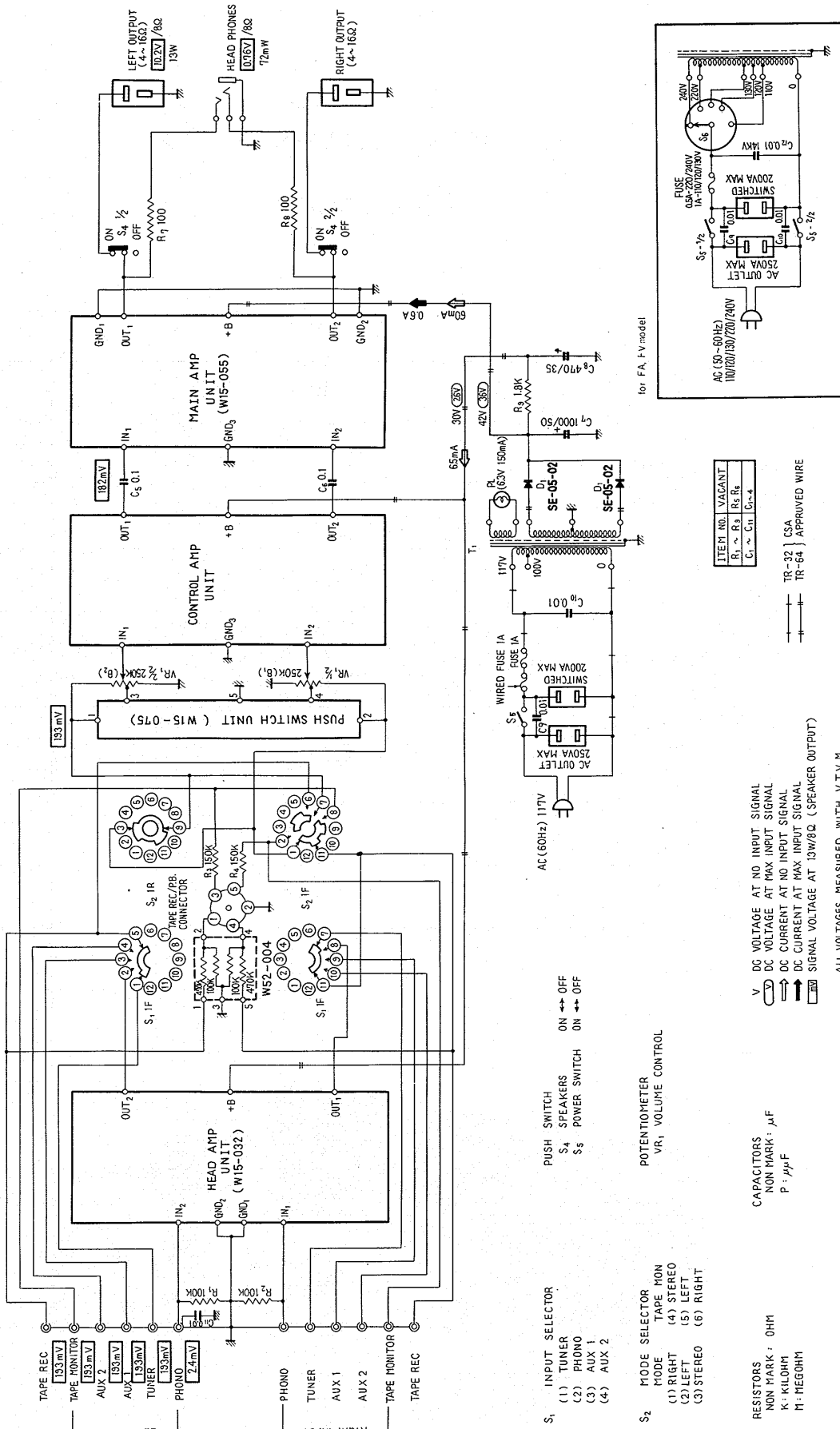
- POTENTIOMETERS**  
 VR<sub>1</sub> BALANCE (C85-048)  
 VR<sub>2</sub> VOLUME (C85-043)
- RESISTORS**  
 10% TOLERANCE P-TYPE CARBON 1/4 WATT  
 NON MARK : OHM K: KILOHM M: MEGOHM
- CAPACITORS**  
 NON MARK : MICRO FARAD P: PICO FARAD  
 ⇨ : NO INPUT SIGNAL DC CURRENT  
 V : NO INPUT SIGNAL DC VOLTAGE  
 □ : SIGNAL VOLTAGE of 1KHz
- SWITCHES**  
 S<sub>1</sub> SELECTOR (S13-024)  
 1) PHONO 2  
 2) PHONO 1  
 3) TUNER  
 4) AUX 1  
 5) AUX 2
- S<sub>2</sub> MODE (S14-035)  
 1) STEREO REV  
 2) STEREO NORM  
 3) MONO L  
 4) MONO R  
 5) MONO L+R
- S<sub>3</sub> BASS CONTROL -3dB--+12dB (of 100Hz) (S16-054)  
 S<sub>4</sub> TREBLE CONTROL -12dB--+3dB (of 10KHz) (S16-046)
- S<sub>5</sub> TAPE MONITOR ON-OFF (S31-013) W18  
 S<sub>6</sub> MUTING 0--20dB (S31-013) W18  
 S<sub>7</sub> POWER SWITCH ON-OFF (S11-014)
- SEM1 CONDUCTOR**  
 2SC369 Q<sub>301</sub>~Q<sub>306</sub>: 0.205~0.208  
 2SC373 Q<sub>307</sub>~Q<sub>308</sub>: Q<sub>401</sub>, Q<sub>402</sub>  
 2SK17 Q<sub>301</sub>, Q<sub>302</sub>  
 SE-05-01 D<sub>401</sub>, D<sub>402</sub>  
 1S336 D<sub>403</sub>

## STEREO AMPLIFIER SA-500

UNIT \ ROUND LABEL	FA	FV	KC	NB		
FM FRONT END						
FM IF UNIT						
MPX UNIT						
AM TUNER UNIT						
MUTING UNIT						
HEAD AMP UNIT	W15-032	W15-032	W15-032	W15-032		
CONTROL AMP UNIT	AWG-009	AWG-009	AWG-009	AWG-009		
MAIN AMP UNIT	W15-055	W15-055	W15-055	AWH-004		
POWER SUPPLY UNIT						
SWITCH UNIT	W15-075	W15-075	W15-075	W15-075		
SWITCH UNIT						
SWITCH UNIT						
TONE COLOR UNIT						
CONTROL UNIT						
MIC AMP UNIT						
REVERBE AMP UNIT						
REVERBE UNIT						



SA-500



for FA, FV model

ITEM NO.	VACANT
R <sub>1</sub> - R <sub>8</sub>	RES.
C <sub>1</sub> - C <sub>8</sub>	CAP.

- V DC VOLTAGE AT NO INPUT SIGNAL
- ∩ DC VOLTAGE AT MAX INPUT SIGNAL
- ⤴ DC CURRENT AT NO INPUT SIGNAL
- ⤴ DC CURRENT AT MAX INPUT SIGNAL
- ⏏ SIGNAL VOLTAGE AT 13W/8Ω (SPEAKER OUTPUT)

ALL VOLTAGES MEASURED WITH V.T.V.M.

- S<sub>1</sub> INPUT SELECTOR  
 (1) TUNER  
 (2) PHONO  
 (3) AUX 1  
 (4) AUX 2
- S<sub>2</sub> MODE SELECTOR  
 TAPE MON  
 (1) RIGHT (4) STEREO  
 (2) LEFT (5) LEFT  
 (3) STEREO (6) RIGHT

CAPACITORS  
 NON MARK : μF  
 P : μμF

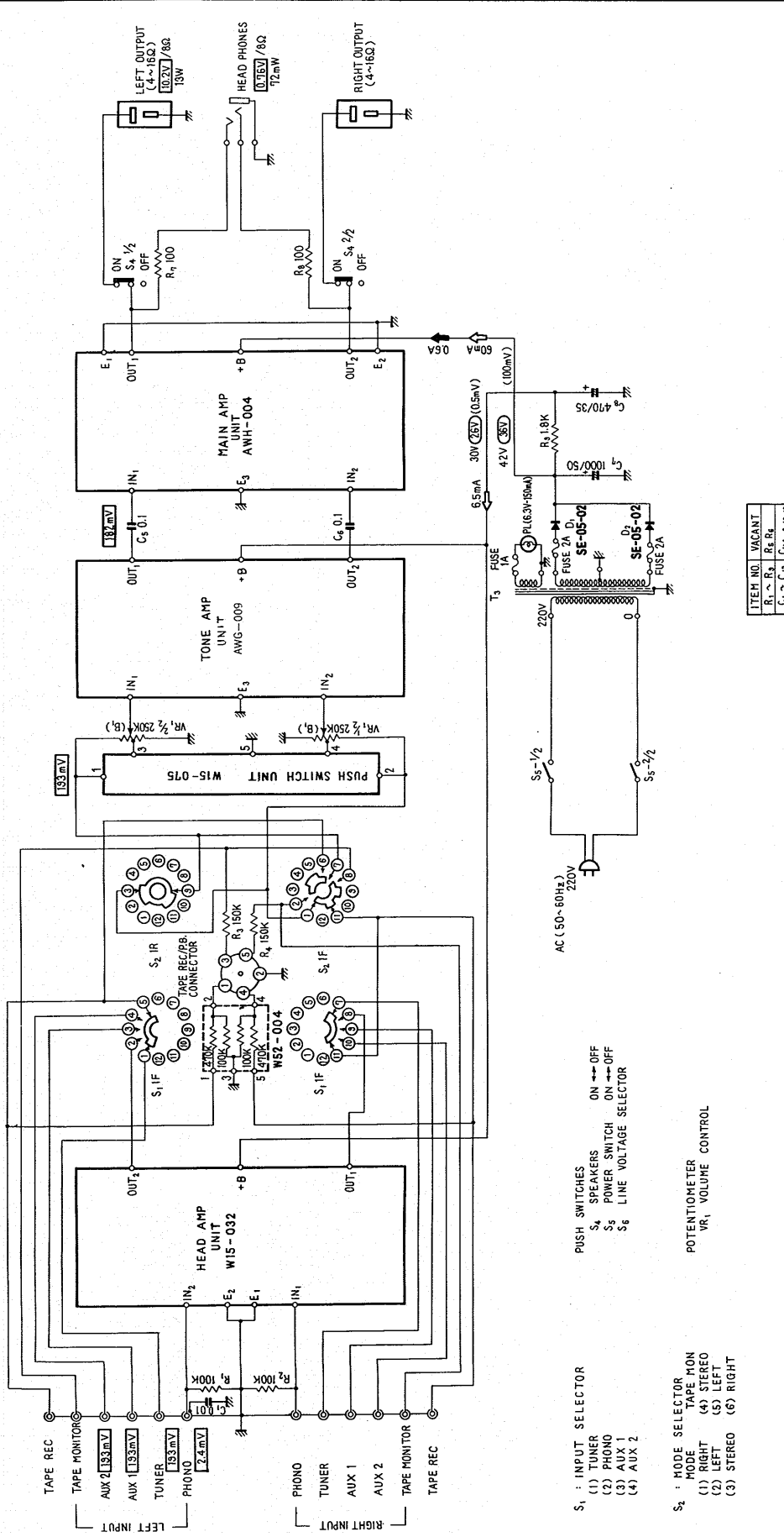
RESISTORS  
 NON MARK : ΩHM  
 K : KILOHM  
 M : MEGOHM

- PUSH SWITCH  
 S<sub>4</sub> SPEAKERS ON ↔ OFF  
 S<sub>5</sub> POWER SWITCH ON ↔ OFF

POTENTIOMETER  
 VR<sub>1</sub> VOLUME CONTROL



SA-500/NB



ITEM NO.	VACANT
R <sub>1</sub>	
R <sub>2</sub>	
R <sub>3</sub>	
R <sub>4</sub>	
R <sub>5</sub>	
R <sub>6</sub>	
R <sub>7</sub>	
R <sub>8</sub>	
C <sub>1</sub>	
C <sub>2</sub>	
C <sub>3</sub>	
C <sub>4</sub>	
C <sub>5</sub>	
C <sub>6</sub>	
C <sub>7</sub>	
C <sub>8</sub>	
C <sub>9</sub>	
C <sub>10</sub>	
C <sub>11</sub>	
C <sub>12</sub>	
C <sub>13</sub>	
C <sub>14</sub>	
C <sub>15</sub>	
C <sub>16</sub>	
C <sub>17</sub>	
C <sub>18</sub>	
C <sub>19</sub>	
C <sub>20</sub>	
C <sub>21</sub>	
C <sub>22</sub>	
C <sub>23</sub>	
C <sub>24</sub>	
C <sub>25</sub>	
C <sub>26</sub>	
C <sub>27</sub>	
C <sub>28</sub>	
C <sub>29</sub>	
C <sub>30</sub>	

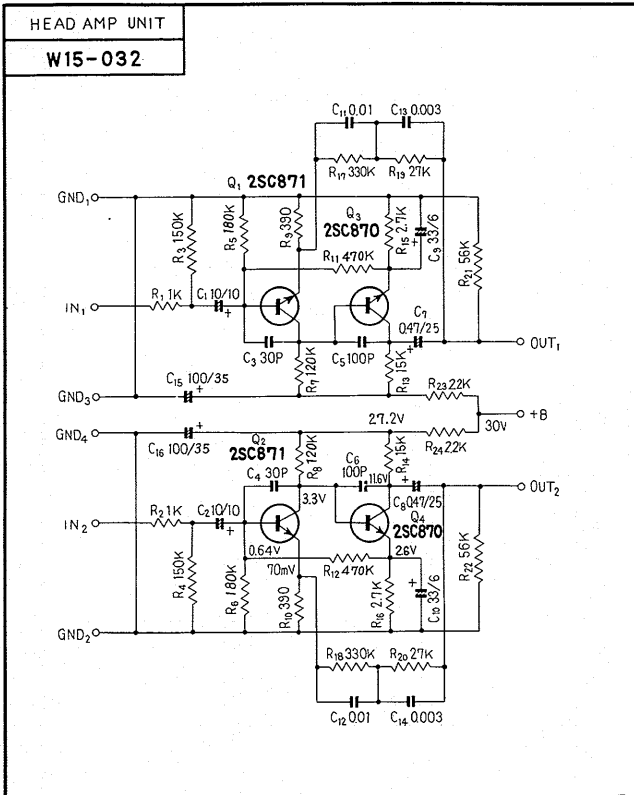
S<sub>1</sub> : INPUT SELECTOR  
 (1) TUNER (2) PHONO (3) AUX 1 (4) AUX 2  
 S<sub>2</sub> : MODE SELECTOR  
 (1) RIGHT (4) STEREO (2) LEFT (5) LEFT (3) STEREO (6) RIGHT  
 S<sub>3</sub> : SPEAKERS ON ↔ OFF  
 S<sub>4</sub> : POWER SWITCH ON ↔ OFF  
 S<sub>5</sub> : LINE VOLTAGE SELECTOR  
 S<sub>6</sub> : POTENTIOMETER VR<sub>1</sub> VOLUME CONTROL

V : DC VOLTAGE AT NO INPUT SIGNAL  
 (V) : RIPPLE VOLTAGE  
 I : DC CURRENT AT NO INPUT SIGNAL  
 I : DC CURRENT AT MAX INPUT SIGNAL  
 I : SIGNAL VOLTAGE AT 18W/8Ω (SPEAKER OUTPUT)  
 ALL VOLTAGES MEASURED WITH V.T.V.M.

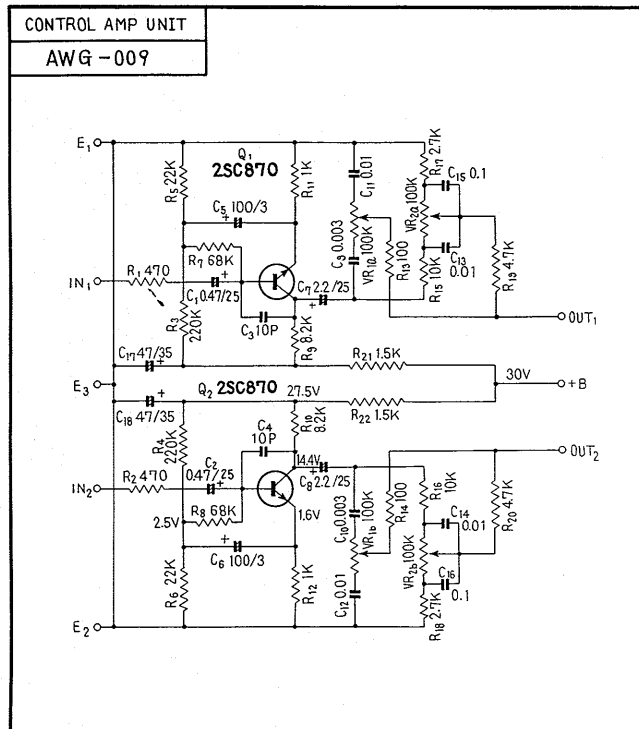
CAPACITORS  
 NON MARK : μF  
 P : μMF

RESISTORS  
 NON MARK : OHM  
 K : KILOHM

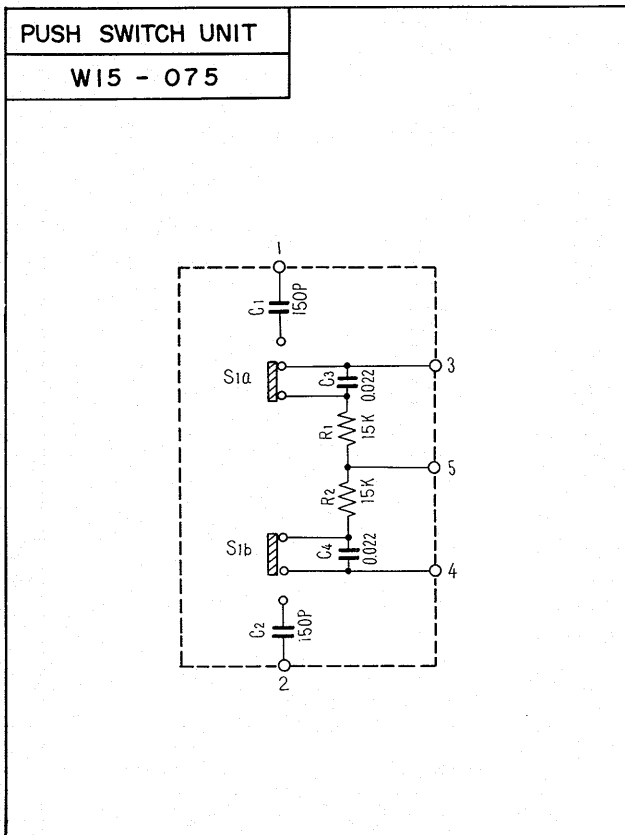
# HEAD AMP UNIT



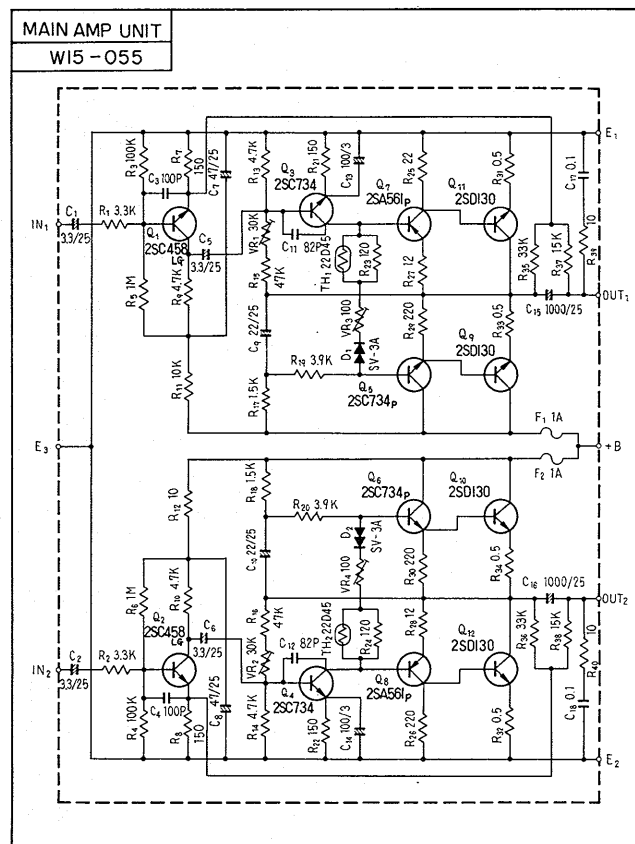
# CONTROL AMP UNIT



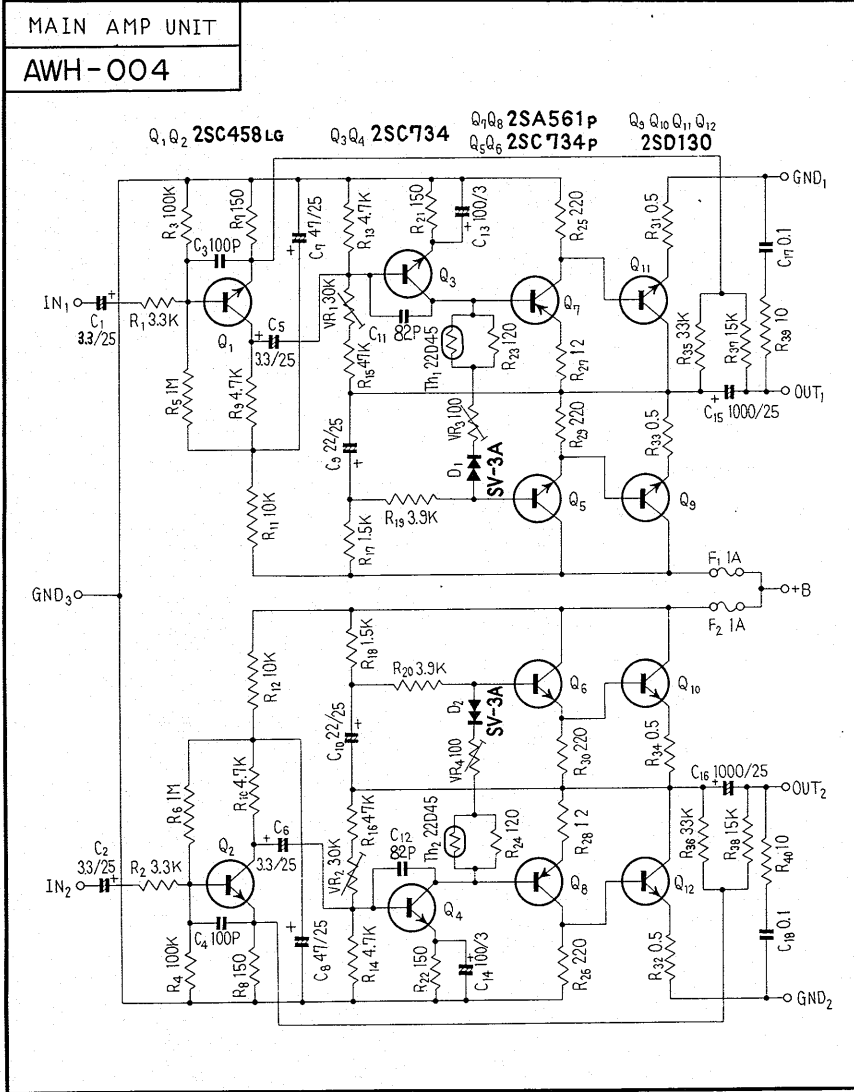
# PUSH SWITCH UNIT



# MAIN AMP UNIT

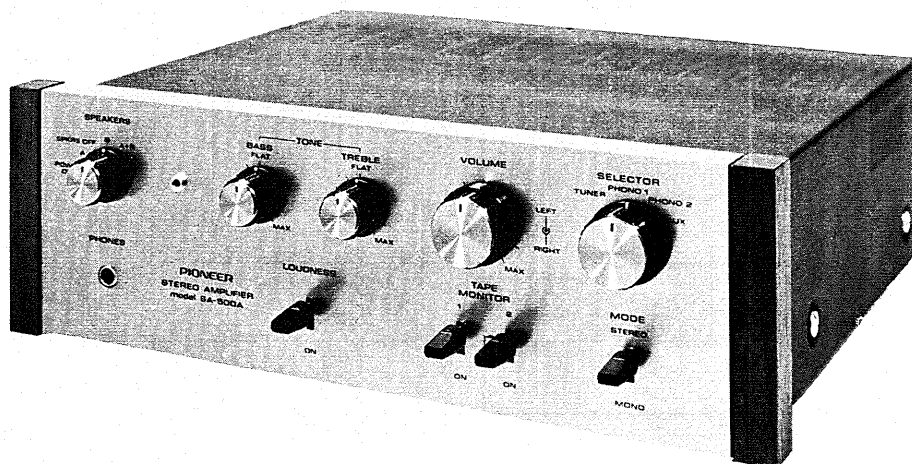


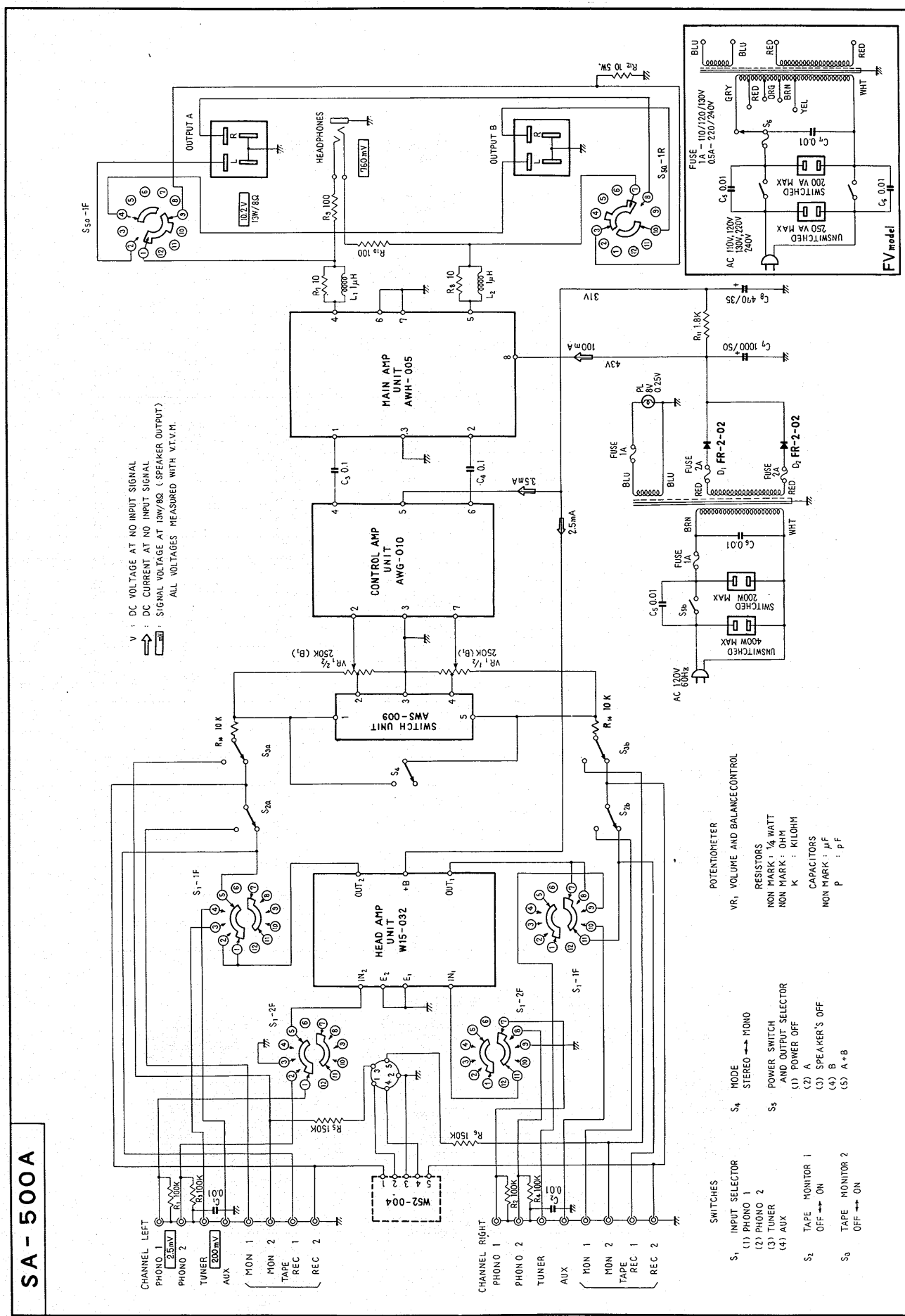
MAIN AMP UNIT for NB model



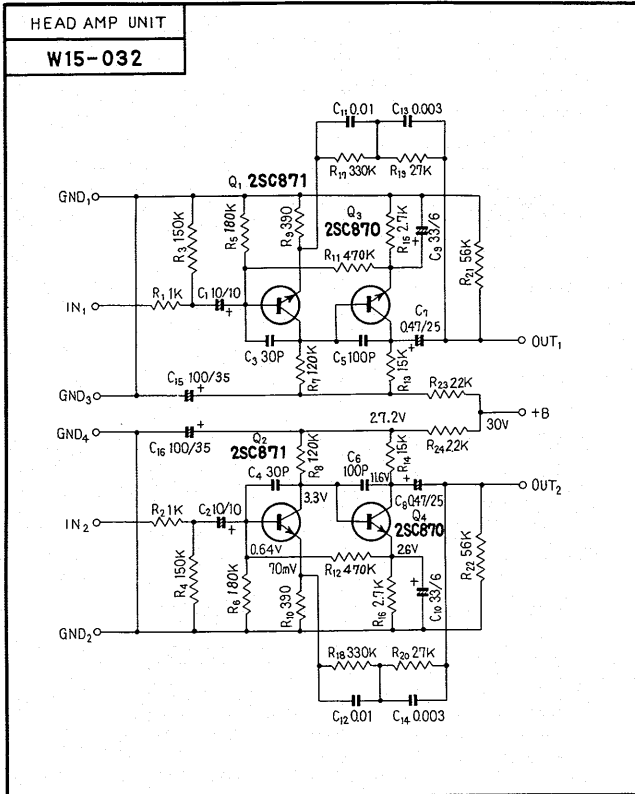
## STEREO AMPLIFIER SA-500A

ROUND LABEL UNIT	FV	K	KC			
FM FRONT END						
FM IF UNIT						
MPX UNIT						
AM TUNER UNIT						
MUTING UNIT						
HEAD AMP UNIT	W15-032	W15-032	W15-032			
CONTROL AMP UNIT	AWG-010	AWG-010	AWG-010			
MAIN AMP UNIT	AWH-005	AWH-005	AWH-005			
POWER SUPPLY UNIT						
SWITCH UNIT	AWS-009	AWS-009	AWS-009			
SWITCH UNIT						
SWITCH UNIT						
TONE COLOR UNIT						
CONTROL UNIT						
MIC AMP UNIT						
REVERBE AMP UNIT						
REVERBE UNIT						

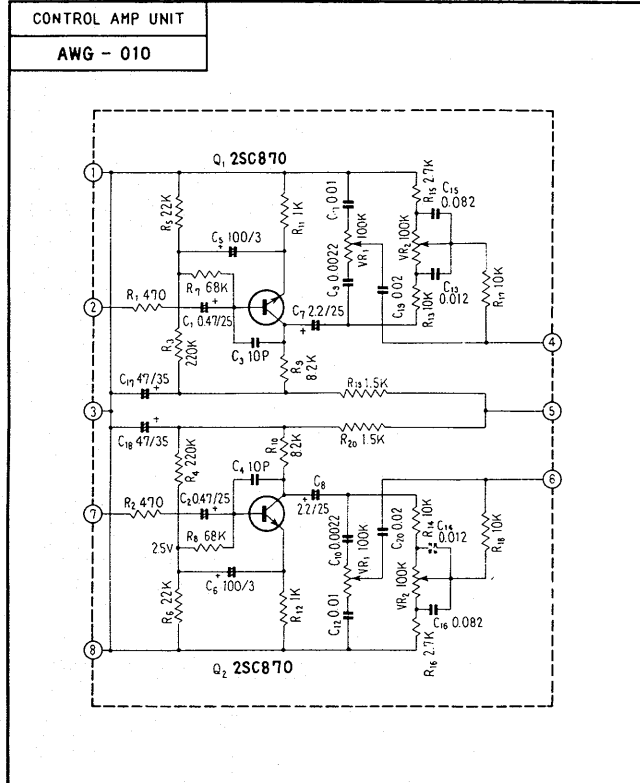




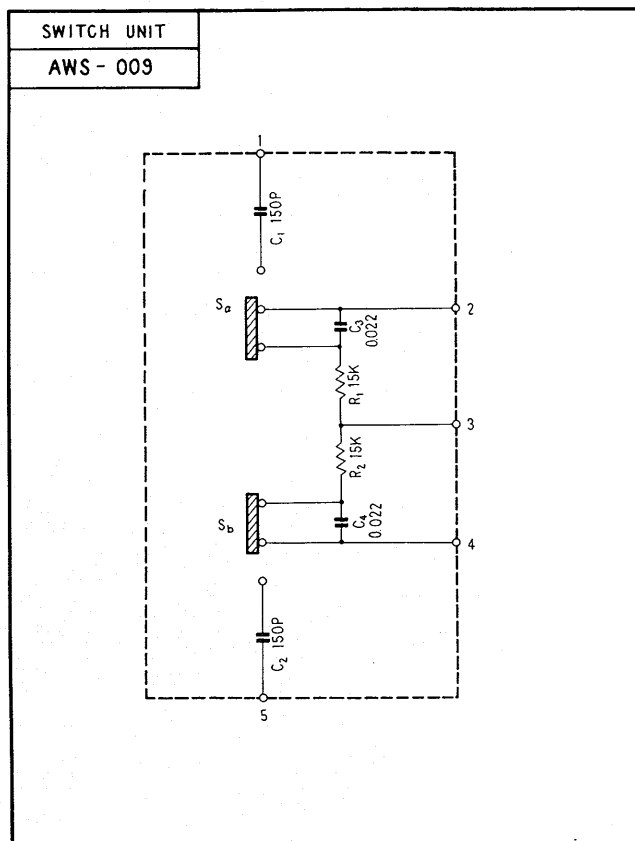
HEAD AMP UNIT



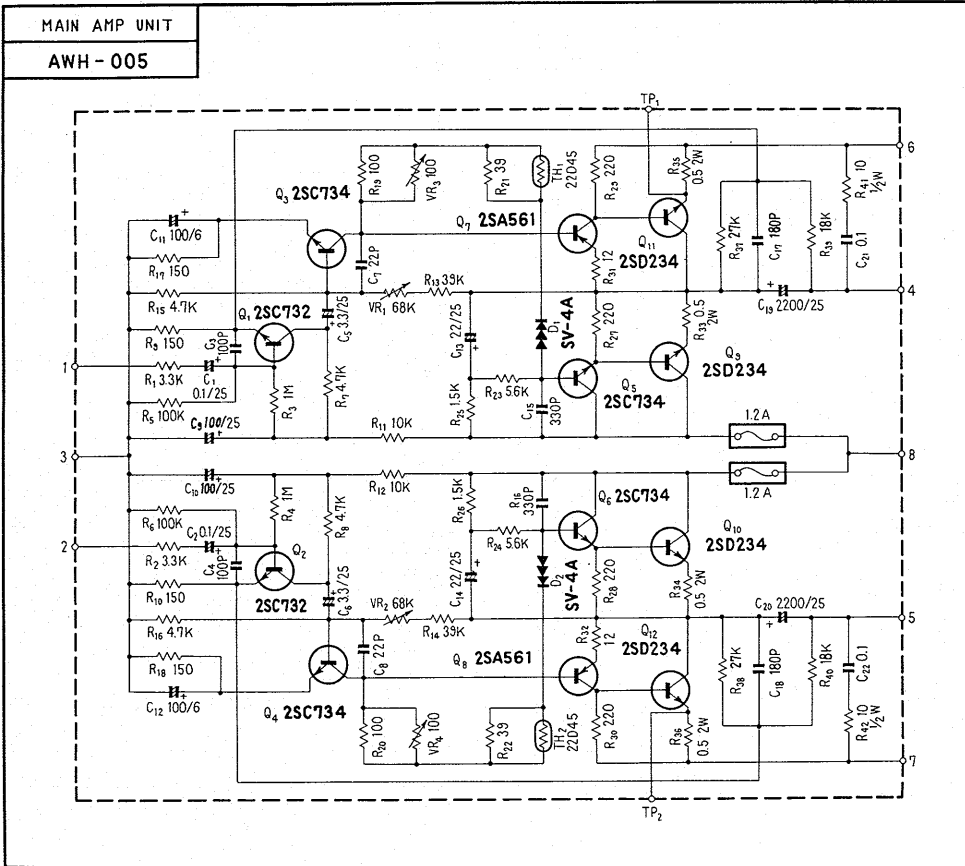
CONTROL AMP UNIT



SWITCH UNIT



# MAIN AMP UNIT

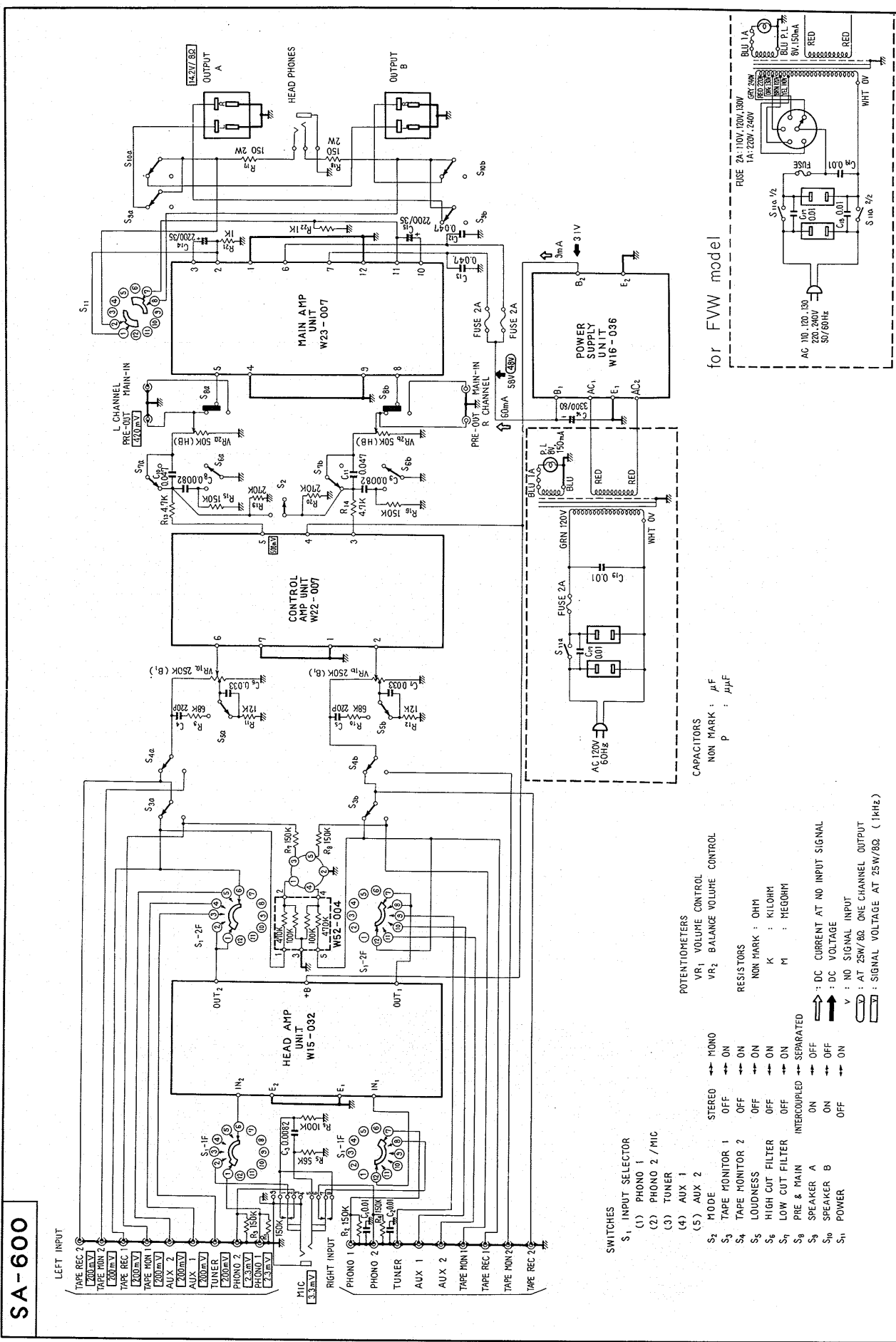


## STEREO AMPLIFIER SA-600

ROUND LABEL UNIT	FVW	KUW	KW			
FM FRONT END						
FM IF UNIT						
MPX UNIT						
AM TUNER UNIT						
MUTING UNIT						
HEAD AMP UNIT	W15-032	W15-032	W15-032			
CONTROL AMP UNIT	W22-007	W22-007	W22-007			
MAIN AMP UNIT	W23-007	W23-007	W23-007			
POWER SUPPLY UNIT	W16-036	W16-036	W16-036			
SWITCH UNIT						
SWITCH UNIT						
SWITCH UNIT						
TONE COLOR UNIT						
CONTROL UNIT						
MIC AMP UNIT						
REVERBE AMP UNIT						
REVERBE UNIT						







**SA-600**

LEFT INPUT  
 TAPE REC 2  
 PHONO 2  
 PHONO 1  
 TAPE REC 1  
 TAPE MON 1  
 TAPE MON 2  
 PHONO 2  
 PHONO 1  
 MIC  
 RIGHT INPUT  
 PHONO 1  
 PHONO 2  
 TUNER  
 AUX 1  
 AUX 2  
 TAPE MON 1  
 TAPE MON 2  
 TAPE REC 2

**SWITCHES**

- S<sub>1</sub> INPUT SELECTOR  
 (1) PHONO 1  
 (2) PHONO 2 / MIC  
 (3) TUNER  
 (4) AUX 1  
 (5) AUX 2
- S<sub>2</sub> MODE  
 STEREO ↔ MONO  
 OFF ↔ ON
- S<sub>3</sub> TAPE MONITOR 1  
 OFF ↔ ON
- S<sub>4</sub> TAPE MONITOR 2  
 OFF ↔ ON
- S<sub>5</sub> LOUDNESS  
 OFF ↔ ON
- S<sub>6</sub> HIGH CUT FILTER  
 OFF ↔ ON
- S<sub>7</sub> LOW CUT FILTER  
 OFF ↔ ON
- S<sub>8</sub> PRE & MAIN INTERCOUPLED  
 SEPARATED ↔ ON
- S<sub>9</sub> SPEAKER A  
 ON ↔ OFF
- S<sub>10</sub> SPEAKER B  
 ON ↔ OFF
- S<sub>11</sub> POWER  
 OFF ↔ ON

**POTENTIOMETERS**

- VR<sub>1</sub> VOLUME CONTROL  
 VR<sub>2</sub> BALANCE VOLUME CONTROL

**RESISTORS**

- NON MARK : OHM  
 K : KILOHM  
 M : MEGOHM

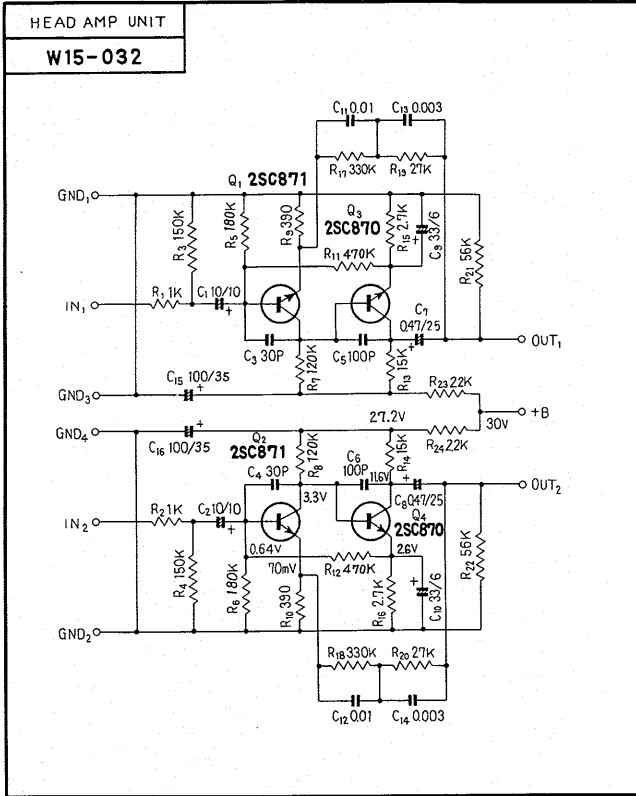
- ↑ : DC CURRENT AT NO INPUT SIGNAL  
 ↑ : DC VOLTAGE  
 V : NO SIGNAL INPUT  
 V : AT 25W/8Ω ONE CHANNEL OUTPUT  
 V : SIGNAL VOLTAGE AT 25W/8Ω (1kHz)

**CAPACITORS**

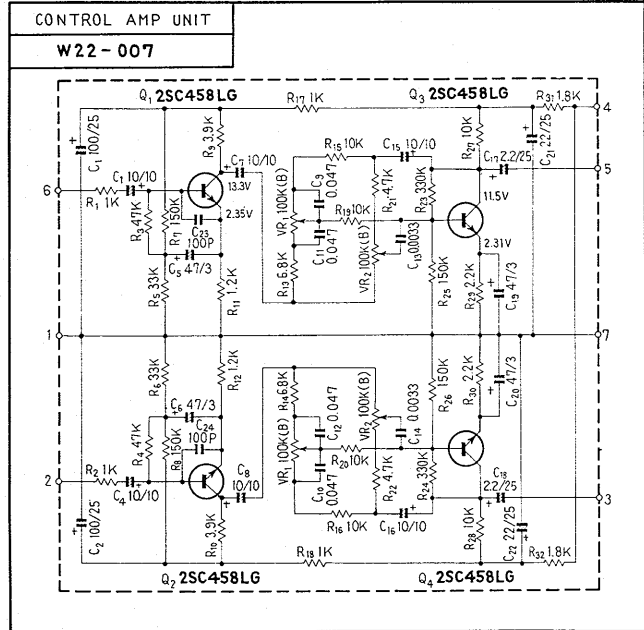
- NON MARK : μF  
 P : μμF

for FW model

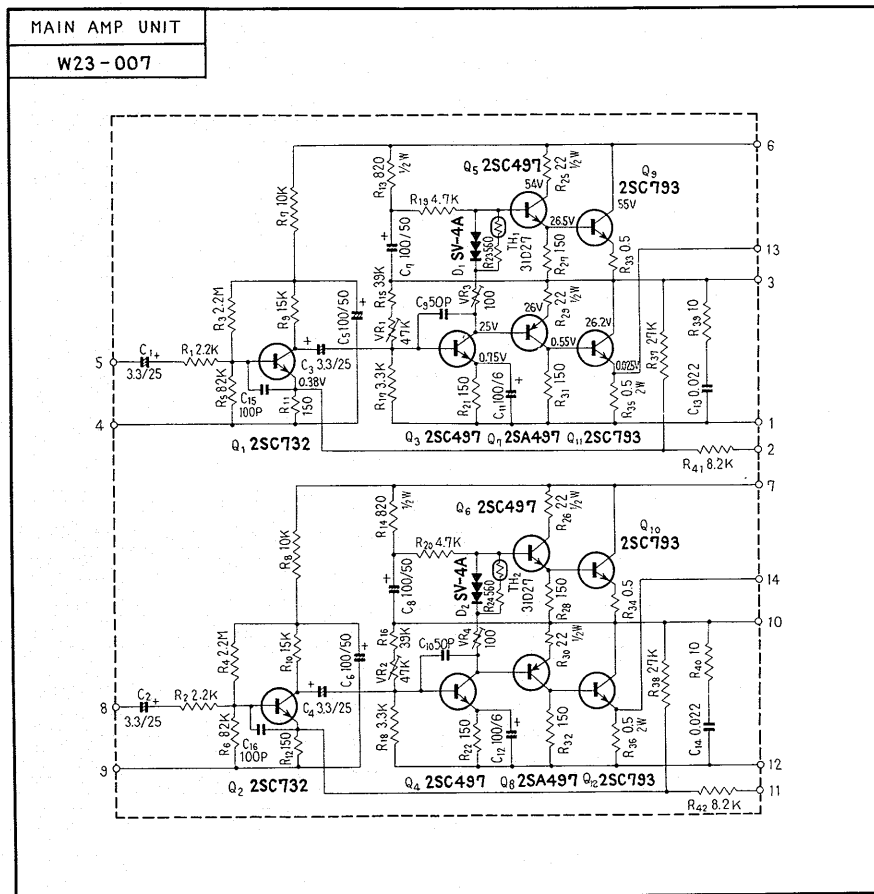
HEAD AMP UNIT



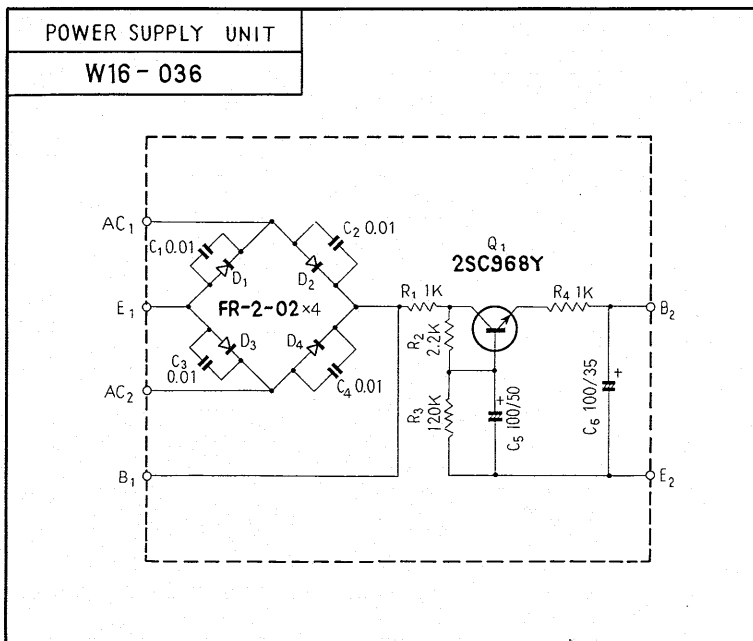
CONTROL AMP UNIT



MAIN AMP UNIT



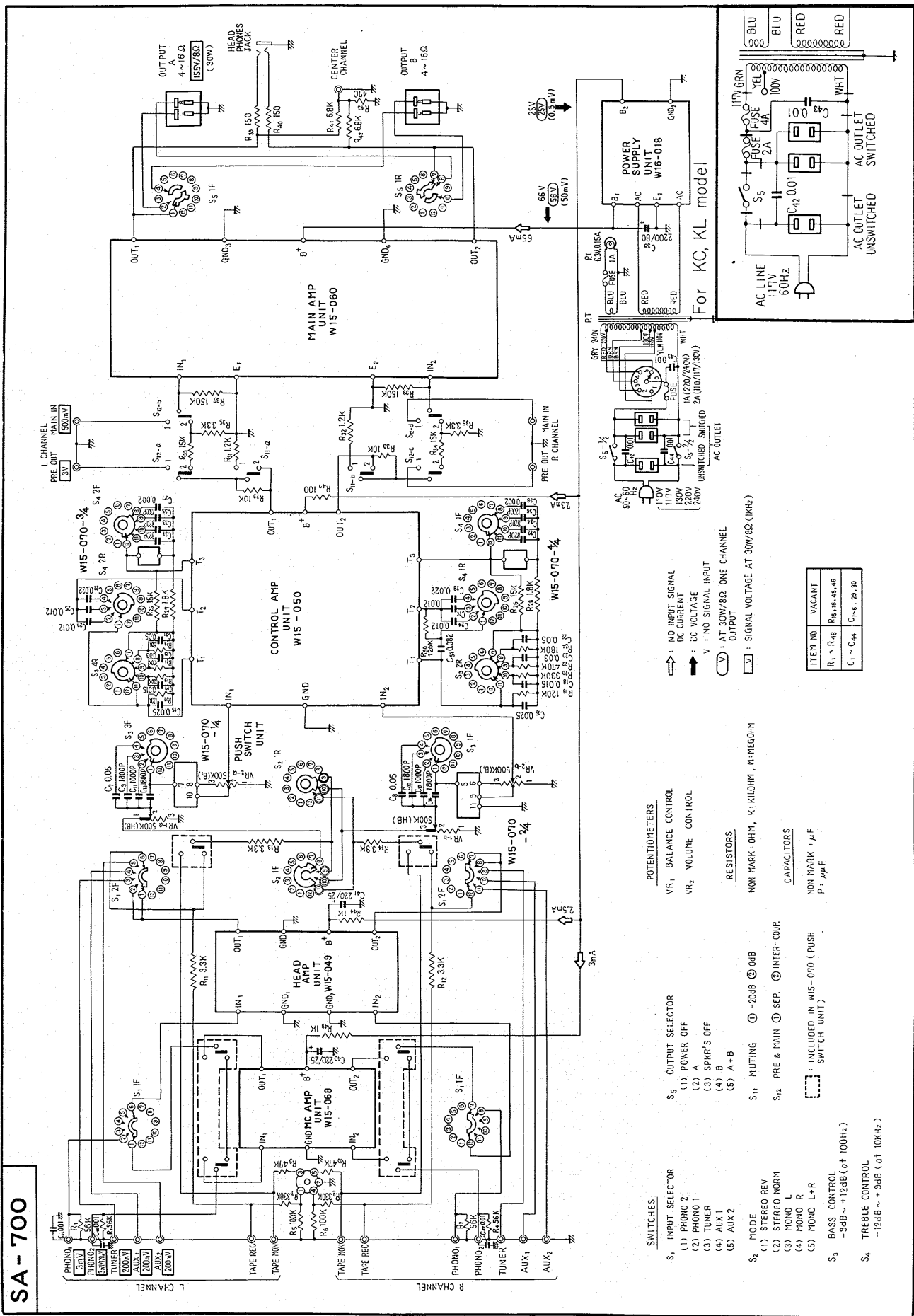
# POWER SUPPLY UNIT



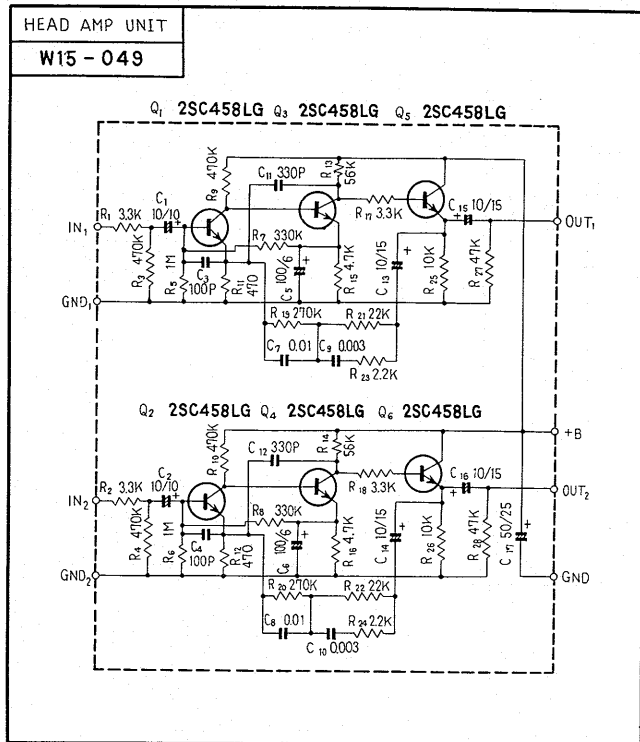
## STEREO AMPLIFIER SA-700

ROUND LABEL UNIT	FA	FV	KL			
TUNER UNIT						
FM FRONT END						
FM IF UNIT						
MPX UNIT						
AM TUNER UNIT						
MUTING UNIT						
HEAD AMP UNIT	W15-049	W15-049	W15-049			
CONTROL AMP UNIT	W15-050	W15-050	W15-050			
MAIN AMP UNIT	W15-060	W15-060	W15-060			
POWER SUPPLY UNIT	W16-018	W16-018	W16-018			
SWITCH UNIT	W15-070	W15-070	W15-070			
SWITCH UNIT	W15-083	W15-083	W15-083			
SWITCH UNIT						
TONE COLOR UNIT						
CONTROL UNIT						
MIC AMP UNIT						
REVERBE AMP UNIT						
REVERBE UNIT						
MC AMP UNIT	W15-068	W15-068	W15-068			

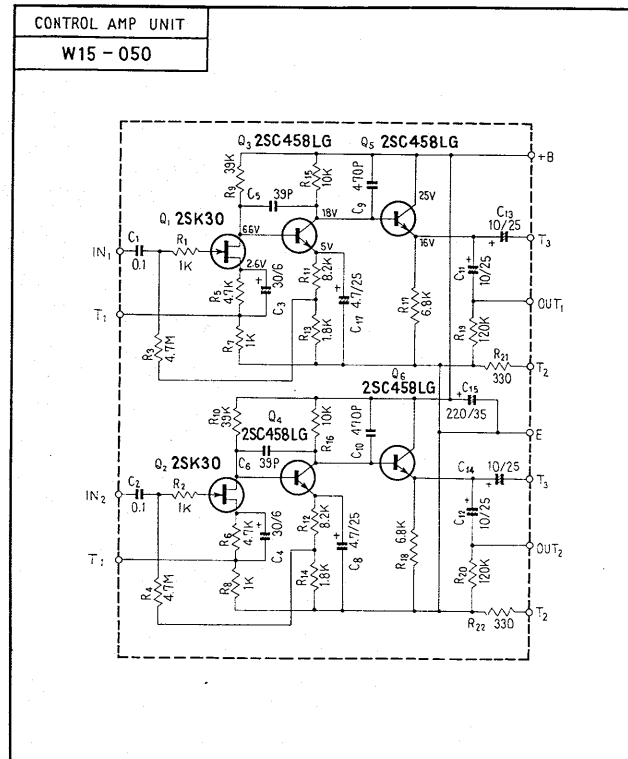




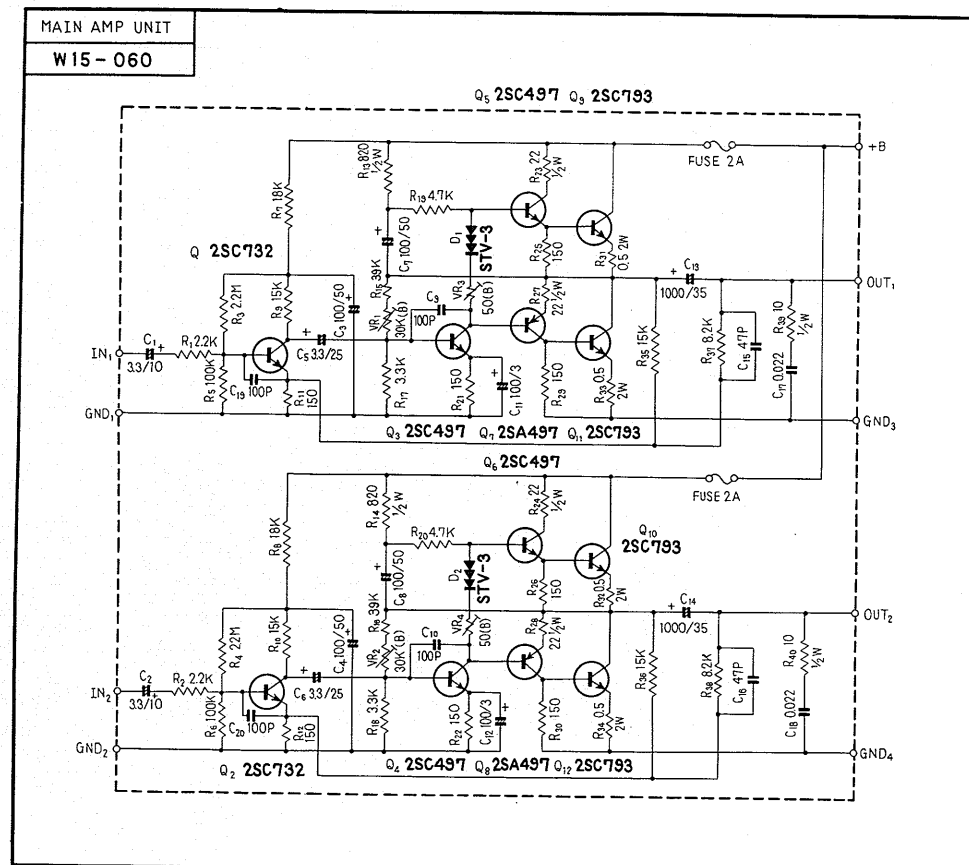
HEAD AMP UNIT



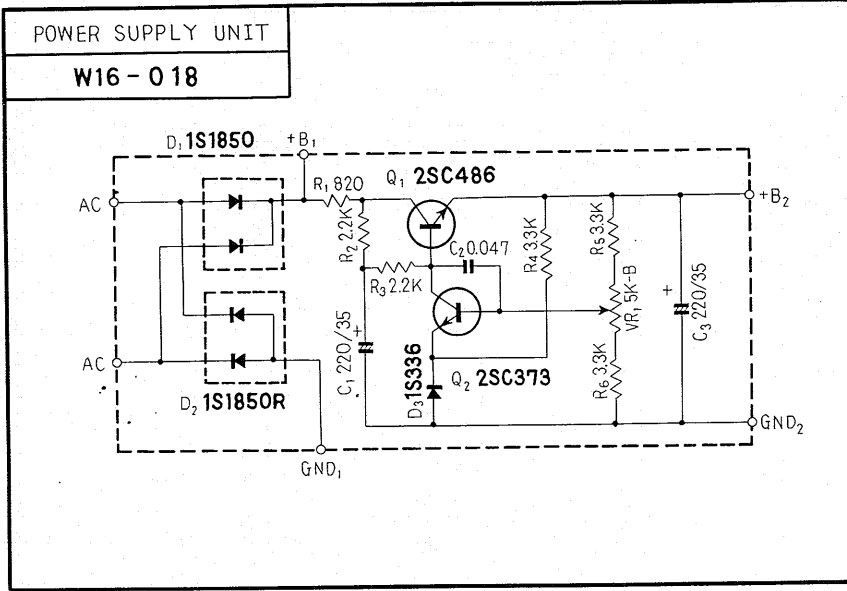
CONTROL AMP UNIT



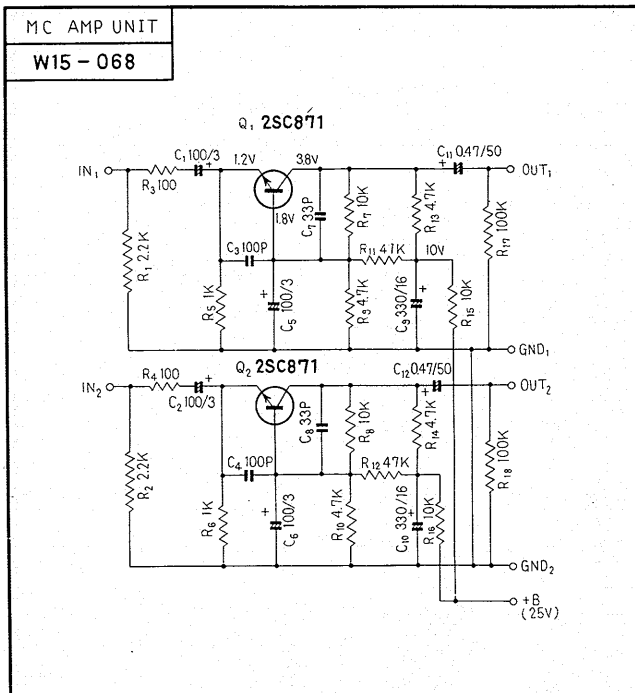
MAIN AMP UNIT



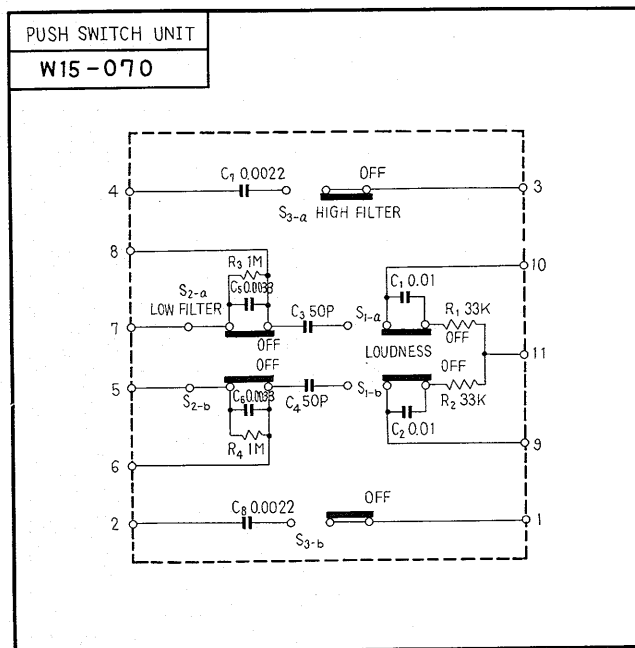
# POWER SUPPLY UNIT



# MC AMP UNIT



# PUSH SWITCH UNIT



# STEREO AMPLIFIER

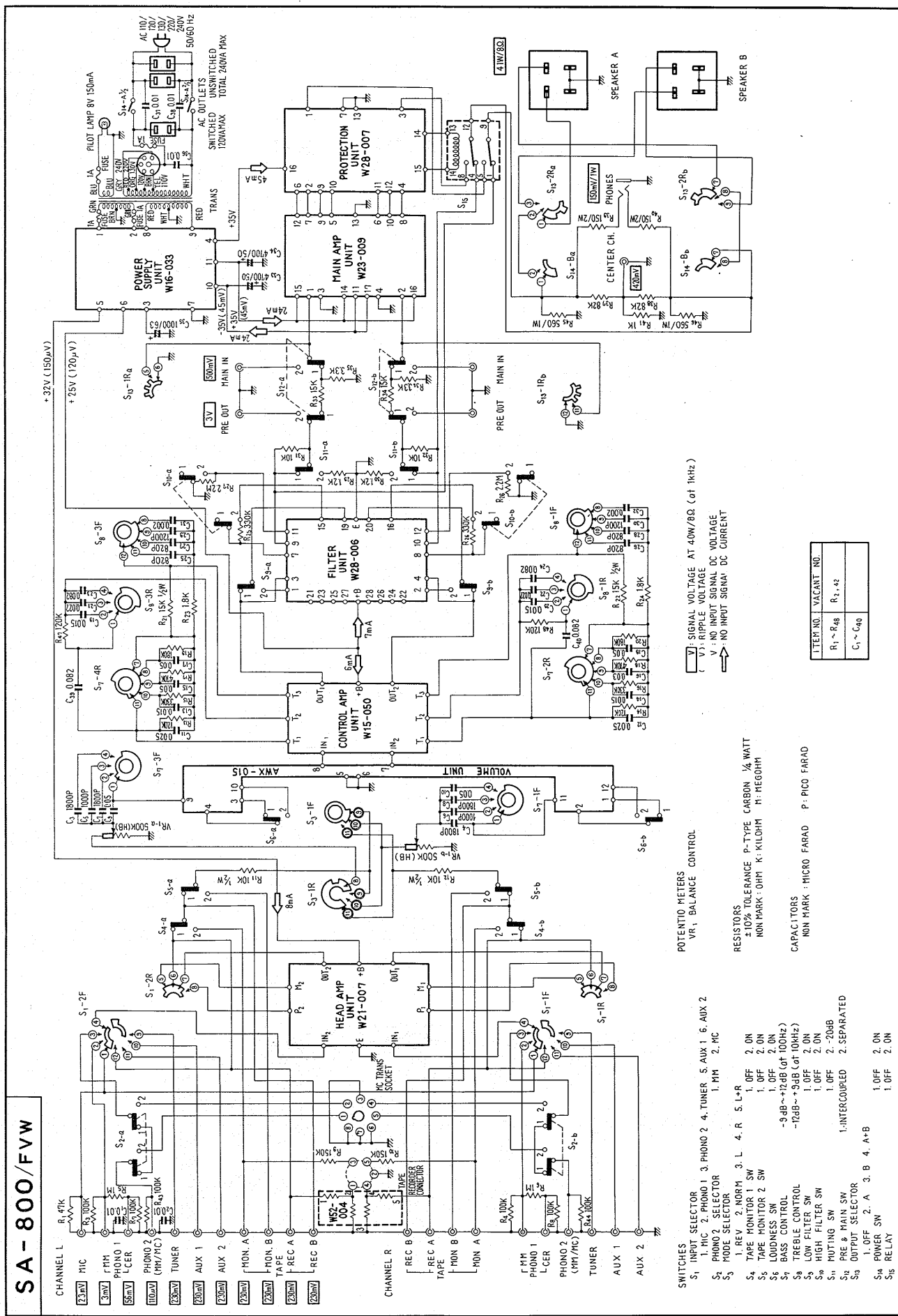
## SA-800

ROUND LABEL UNIT	FVW	KUW	KCW			
FM FRONT END						
FM IF UNIT						
MPX UNIT						
AM TUNER UNIT						
MUTING UNIT						
HEAD AMP UNIT	W21-007	W21-007	W21-007			
CONTROL AMP UNIT	W15-050	W15-050	W15-050			
MAIN AMP UNIT	W23-009	W23-009	W23-009			
POWER SUPPLY UNIT	W16-033	W16-033	W16-033			
SWITCH UNIT						
SWITCH UNIT						
SWITCH UNIT						
VR UNIT	AWX-015	AWX-015	AWX-015			
CONTROL UNIT						
MIC AMP UNIT						
FILTER UNIT	W28-006	W28-006	W28-006			
REVERBE UNIT						
PROTECTION UNIT	W28-007	W28-007	W28-007			





SA-800 for FVW model



SA-800/FVW

- CHANNEL L**
- REC A
  - REC B
  - MON A
  - MON B
  - TAPE
  - PHONO 1
  - PHONO 2
  - TUNER
  - AUX 1
  - AUX 2
- CHANNEL R**
- REC A
  - REC B
  - MON A
  - MON B
  - TAPE
  - PHONO 1
  - PHONO 2
  - TUNER
  - AUX 1
  - AUX 2

- POTENTIOMETERS**
- VR1 BALANCE CONTROL

- RESISTORS**
- +10% TOLERANCE P-TYPE CARBON 1/4 WATT
  - NON MARK: OHM K KILOHM M MEGOHM

- CAPACITORS**
- NON MARK: MICRO FARAD P- PICO FARAD

- SWITCHES**
- S1 INPUT SELECTOR
  - S2 PHONO 1, 2, PHONO 3, PHONO 4, TUNER, 5, AUX 1, 6, AUX 2
  - S3 MODE SELECTOR
  - S4 REVERSE MONITOR 3, L, 4, R, 5, L-R
  - S5 TAPE MONITOR 1 SW
  - S6 LOUDNESS SW
  - S7 TREBLE CONTROL
  - S8 LOW FILTER SW
  - S9 HIGH FILTER SW
  - S10 MUTING SW
  - S11 PRE & MAIN SW
  - S12 OUTPUT SELECTOR
  - S13 POWER SW
  - S14 RELAY

- POTENTIAL Meters**
- VR1 BALANCE CONTROL

- RESISTORS**
- +10% TOLERANCE P-TYPE CARBON 1/4 WATT
  - NON MARK: OHM K KILOHM M MEGOHM

- CAPACITORS**
- NON MARK: MICRO FARAD P- PICO FARAD

- SWITCHES**
- S1 INPUT SELECTOR
  - S2 PHONO 1, 2, PHONO 3, PHONO 4, TUNER, 5, AUX 1, 6, AUX 2
  - S3 MODE SELECTOR
  - S4 REVERSE MONITOR 3, L, 4, R, 5, L-R
  - S5 TAPE MONITOR 1 SW
  - S6 LOUDNESS SW
  - S7 TREBLE CONTROL
  - S8 LOW FILTER SW
  - S9 HIGH FILTER SW
  - S10 MUTING SW
  - S11 PRE & MAIN SW
  - S12 OUTPUT SELECTOR
  - S13 POWER SW
  - S14 RELAY

- POTENTIAL Meters**
- VR1 BALANCE CONTROL

- RESISTORS**
- +10% TOLERANCE P-TYPE CARBON 1/4 WATT
  - NON MARK: OHM K KILOHM M MEGOHM

- CAPACITORS**
- NON MARK: MICRO FARAD P- PICO FARAD

- SWITCHES**
- S1 INPUT SELECTOR
  - S2 PHONO 1, 2, PHONO 3, PHONO 4, TUNER, 5, AUX 1, 6, AUX 2
  - S3 MODE SELECTOR
  - S4 REVERSE MONITOR 3, L, 4, R, 5, L-R
  - S5 TAPE MONITOR 1 SW
  - S6 LOUDNESS SW
  - S7 TREBLE CONTROL
  - S8 LOW FILTER SW
  - S9 HIGH FILTER SW
  - S10 MUTING SW
  - S11 PRE & MAIN SW
  - S12 OUTPUT SELECTOR
  - S13 POWER SW
  - S14 RELAY

- POTENTIAL Meters**
- VR1 BALANCE CONTROL

- RESISTORS**
- +10% TOLERANCE P-TYPE CARBON 1/4 WATT
  - NON MARK: OHM K KILOHM M MEGOHM

- CAPACITORS**
- NON MARK: MICRO FARAD P- PICO FARAD

- SWITCHES**
- S1 INPUT SELECTOR
  - S2 PHONO 1, 2, PHONO 3, PHONO 4, TUNER, 5, AUX 1, 6, AUX 2
  - S3 MODE SELECTOR
  - S4 REVERSE MONITOR 3, L, 4, R, 5, L-R
  - S5 TAPE MONITOR 1 SW
  - S6 LOUDNESS SW
  - S7 TREBLE CONTROL
  - S8 LOW FILTER SW
  - S9 HIGH FILTER SW
  - S10 MUTING SW
  - S11 PRE & MAIN SW
  - S12 OUTPUT SELECTOR
  - S13 POWER SW
  - S14 RELAY

- POTENTIAL Meters**
- VR1 BALANCE CONTROL

- RESISTORS**
- +10% TOLERANCE P-TYPE CARBON 1/4 WATT
  - NON MARK: OHM K KILOHM M MEGOHM

- CAPACITORS**
- NON MARK: MICRO FARAD P- PICO FARAD

- SWITCHES**
- S1 INPUT SELECTOR
  - S2 PHONO 1, 2, PHONO 3, PHONO 4, TUNER, 5, AUX 1, 6, AUX 2
  - S3 MODE SELECTOR
  - S4 REVERSE MONITOR 3, L, 4, R, 5, L-R
  - S5 TAPE MONITOR 1 SW
  - S6 LOUDNESS SW
  - S7 TREBLE CONTROL
  - S8 LOW FILTER SW
  - S9 HIGH FILTER SW
  - S10 MUTING SW
  - S11 PRE & MAIN SW
  - S12 OUTPUT SELECTOR
  - S13 POWER SW
  - S14 RELAY

- POTENTIAL Meters**
- VR1 BALANCE CONTROL

- RESISTORS**
- +10% TOLERANCE P-TYPE CARBON 1/4 WATT
  - NON MARK: OHM K KILOHM M MEGOHM

- CAPACITORS**
- NON MARK: MICRO FARAD P- PICO FARAD

- SWITCHES**
- S1 INPUT SELECTOR
  - S2 PHONO 1, 2, PHONO 3, PHONO 4, TUNER, 5, AUX 1, 6, AUX 2
  - S3 MODE SELECTOR
  - S4 REVERSE MONITOR 3, L, 4, R, 5, L-R
  - S5 TAPE MONITOR 1 SW
  - S6 LOUDNESS SW
  - S7 TREBLE CONTROL
  - S8 LOW FILTER SW
  - S9 HIGH FILTER SW
  - S10 MUTING SW
  - S11 PRE & MAIN SW
  - S12 OUTPUT SELECTOR
  - S13 POWER SW
  - S14 RELAY

- POTENTIAL Meters**
- VR1 BALANCE CONTROL

- RESISTORS**
- +10% TOLERANCE P-TYPE CARBON 1/4 WATT
  - NON MARK: OHM K KILOHM M MEGOHM

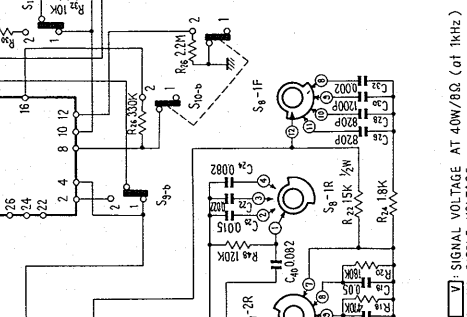
- CAPACITORS**
- NON MARK: MICRO FARAD P- PICO FARAD

- SWITCHES**
- S1 INPUT SELECTOR
  - S2 PHONO 1, 2, PHONO 3, PHONO 4, TUNER, 5, AUX 1, 6, AUX 2
  - S3 MODE SELECTOR
  - S4 REVERSE MONITOR 3, L, 4, R, 5, L-R
  - S5 TAPE MONITOR 1 SW
  - S6 LOUDNESS SW
  - S7 TREBLE CONTROL
  - S8 LOW FILTER SW
  - S9 HIGH FILTER SW
  - S10 MUTING SW
  - S11 PRE & MAIN SW
  - S12 OUTPUT SELECTOR
  - S13 POWER SW
  - S14 RELAY

- POTENTIAL Meters**
- VR1 BALANCE CONTROL

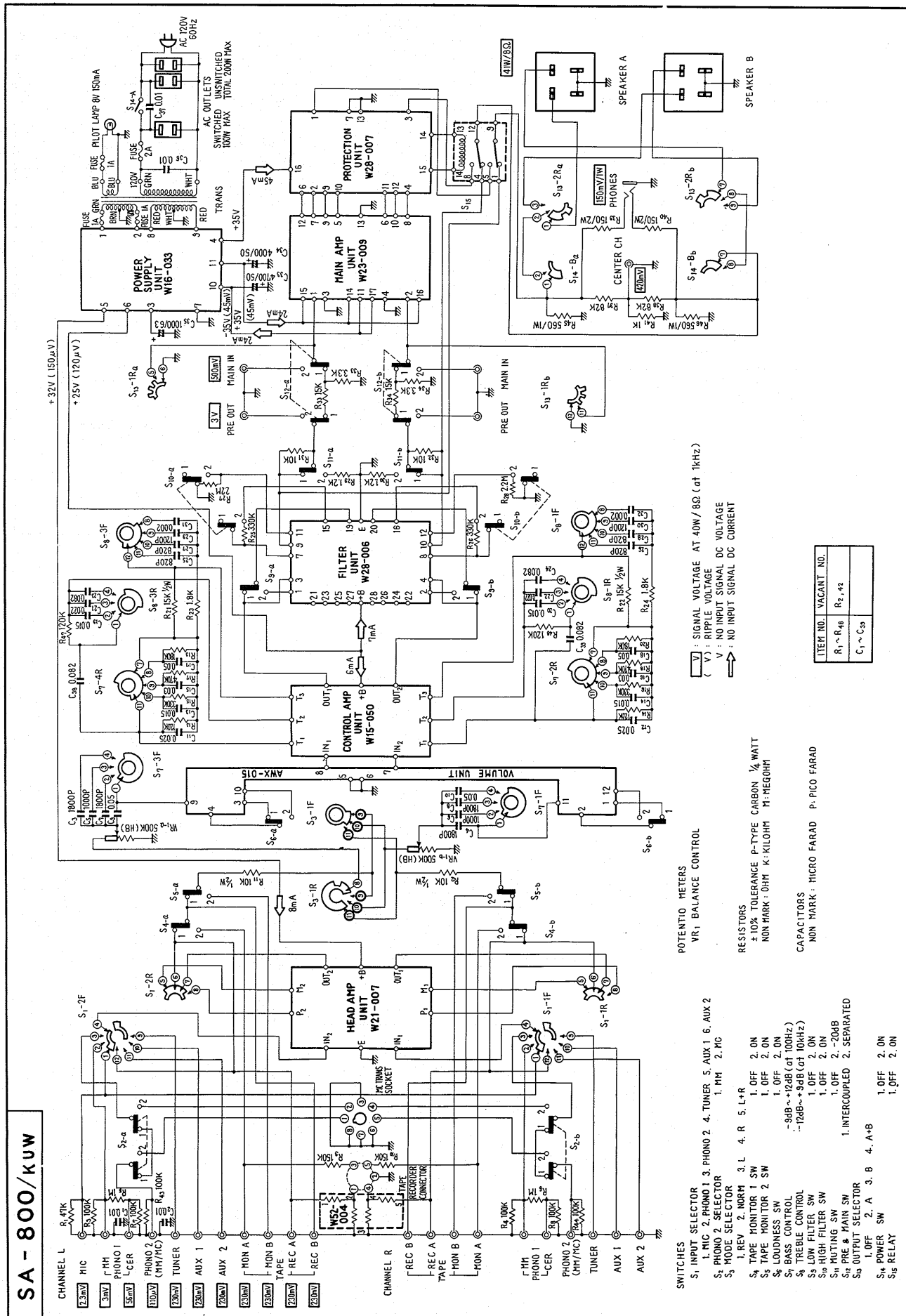
- RESISTORS**
- +10% TOLERANCE P-TYPE CARBON 1/4 WATT
  - NON MARK: OHM K KILOHM M MEGOHM

- CAPACITORS**
- NON MARK: MICRO FARAD P- PICO FARAD

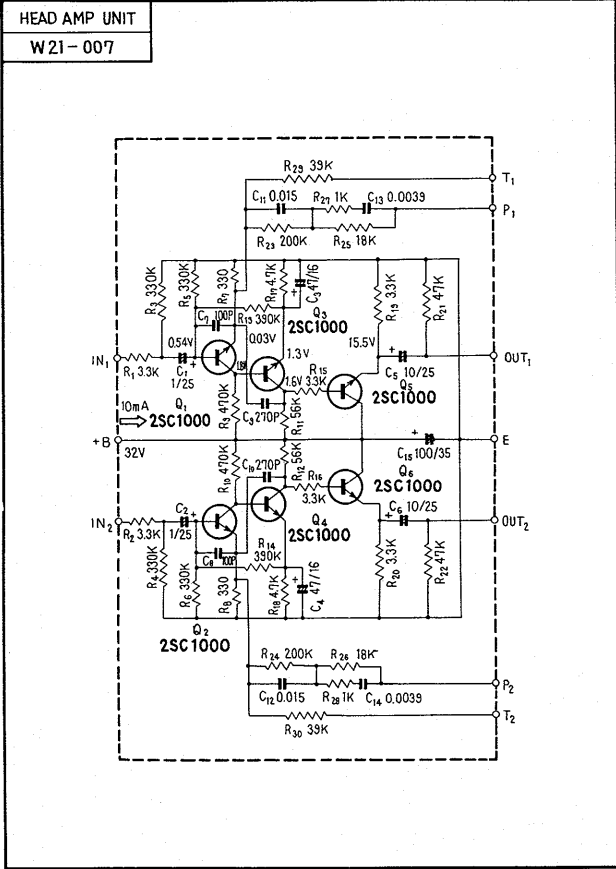


ITEM NO.	VACANT NO.
R1 ~ R48	R 3, 42
C1 ~ C40	

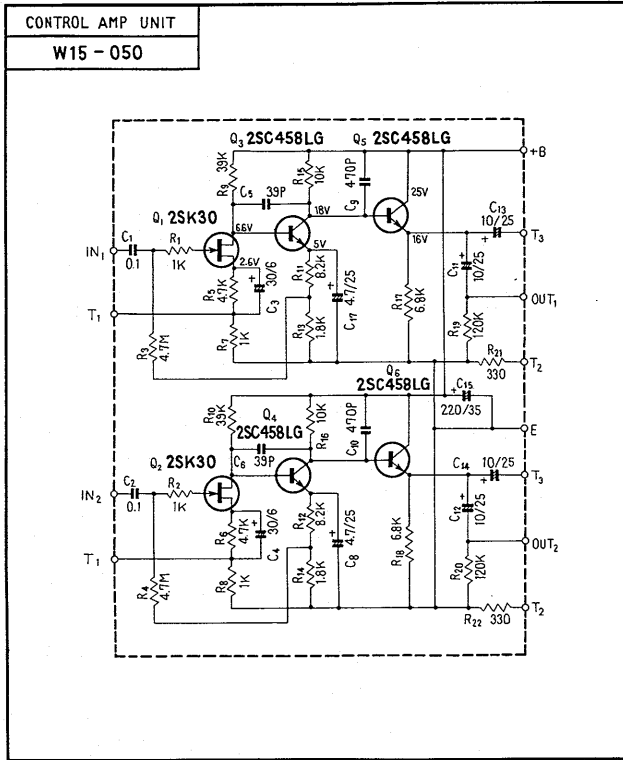
SA-800 for KUW, KCW model



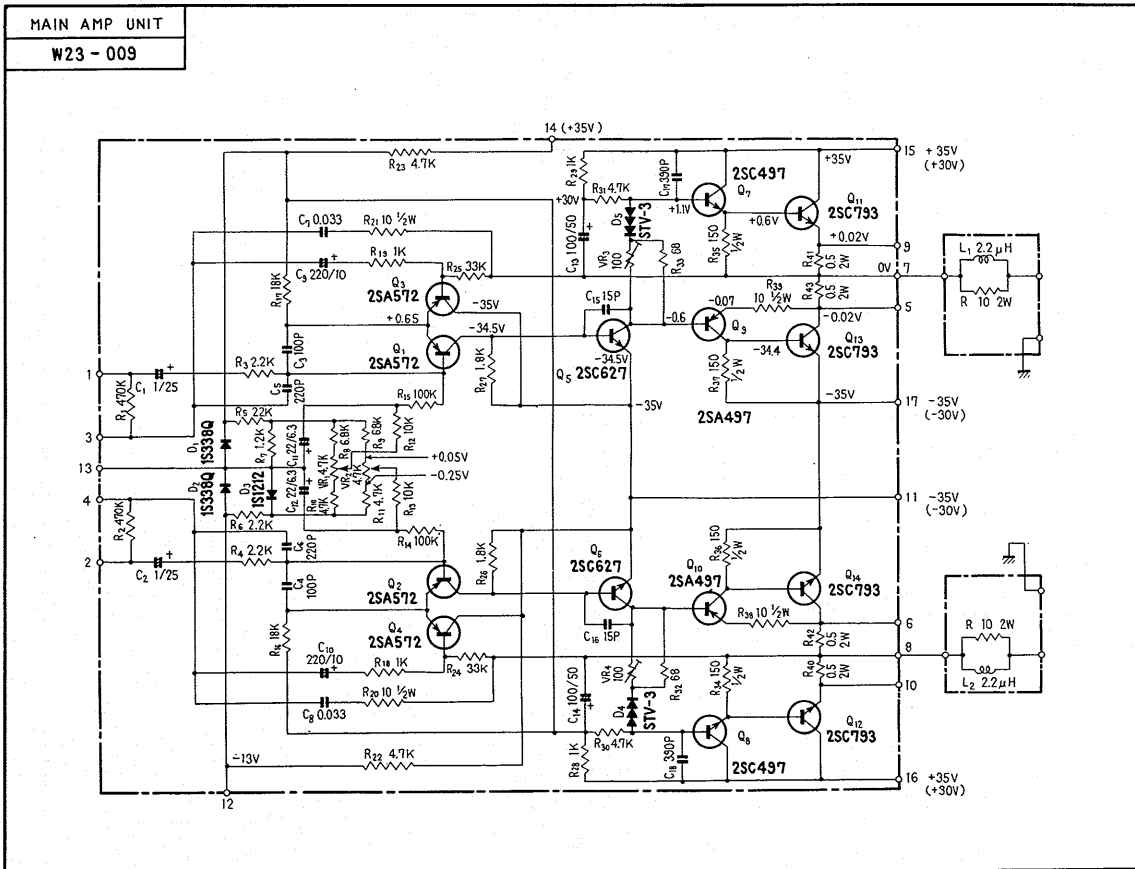
# HEAD AMP UNIT



# CONTROL AMP UNIT

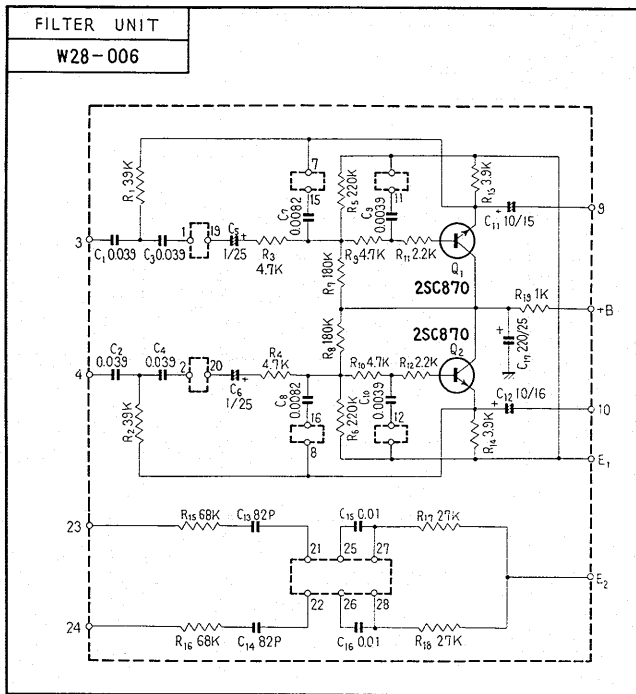


# MAIN AMP UNIT





# FILTER UNIT



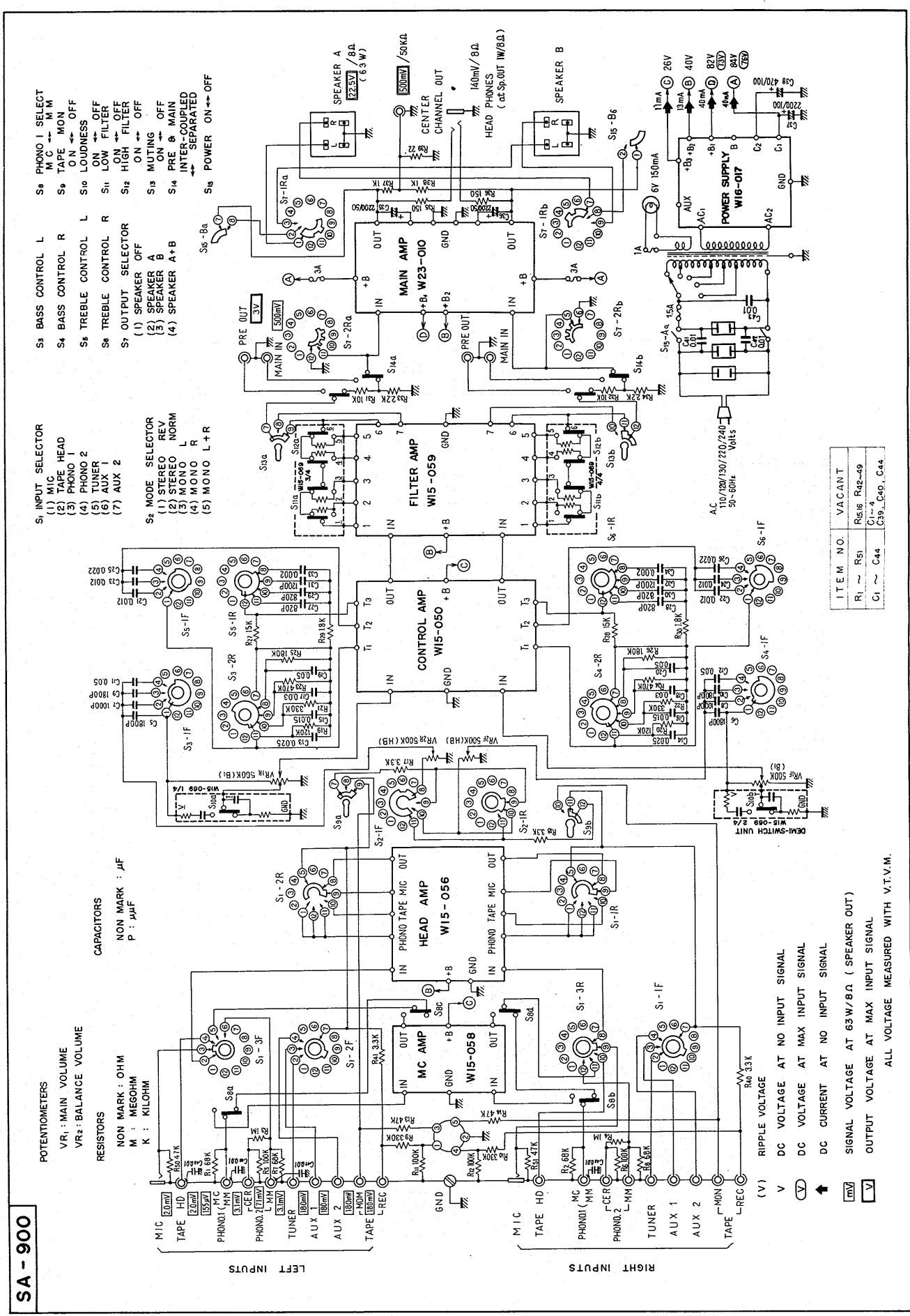
## STEREO AMPLIFIER

## SA-900

UNIT \ ROUND LABEL	FA	FV	KC	KL		
FM FRONT END						
FM IF UNIT						
MPX UNIT						
AM TUNER UNIT						
MUTING UNIT						
HEAD AMP UNIT	W15-056	W15-056	W15-056	W15-056		
CONTROL AMP UNIT	W15-050	W15-050	W15-050	W15-050		
MAIN AMP UNIT	W23-010	W23-010	W23-010	W23-010		
POWER SUPPLY UNIT	W16-017	W16-017	W16-017	W16-017		
SWITCH UNIT	W15-069	W15-069	W15-069	W15-069		
SWITCH UNIT						
SWITCH UNIT						
TONE COLOR UNIT						
CONTROL UNIT						
MIC AMP UNIT						
FILTER UNIT	W15-059	W15-059	W15-059	W15-059		
REVERBE UNIT						
MC AMP UNIT	W15-058	W15-058	W15-058	W15-058		



SA-900 for FA, FV model



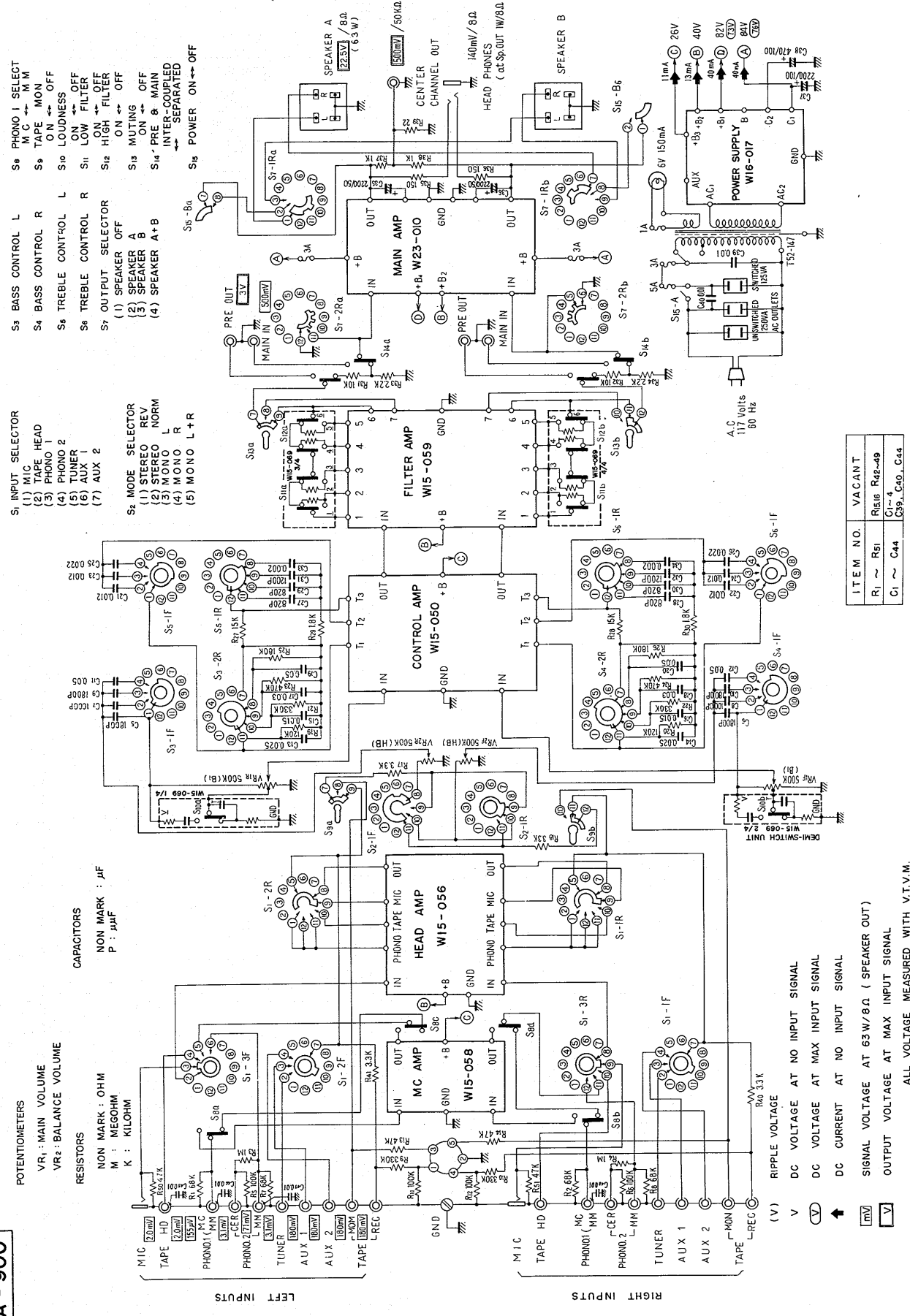
ITEM NO.	VACANT
R1 ~ R51	Resistor
C1 ~ C44	Capacitor
C39, C40, C44	Capacitor

(V) RIPPLE VOLTAGE  
 V DC VOLTAGE AT NO INPUT SIGNAL  
 V DC VOLTAGE AT MAX INPUT SIGNAL  
 ↑ DC CURRENT AT NO INPUT SIGNAL  
 [mV] SIGNAL VOLTAGE AT 63W/8Ω (SPEAKER OUT)  
 [V] OUTPUT VOLTAGE AT MAX INPUT SIGNAL  
 ALL VOLTAGE MEASURED WITH V.T.V.M.

SA-900

SA-900 for KC, KL model

SA-900



- POTENTIOMETERS**  
 VR<sub>1</sub>: MAIN VOLUME  
 VR<sub>2</sub>: BALANCE VOLUME
- RESISTORS**  
 NON MARK : OHM  
 M : MEGOHM  
 K : KILOHM
- CAPACITORS**  
 NON MARK : μF  
 P : μμF
- S<sub>1</sub> INPUT SELECTOR**  
 (1) MIC HEAD  
 (2) TAPE HEAD  
 (3) PHONO 2  
 (4) PHONO 1  
 (5) AUX 2  
 (6) AUX 1  
 (7) AUX 2
- S<sub>2</sub> MODE SELECTOR**  
 (1) STEREO REV  
 (2) STEREO NORM  
 (3) MONO L  
 (4) MONO R  
 (5) MONO L+R
- S<sub>3</sub> BASS CONTROL L**  
**S<sub>4</sub> BASS CONTROL R**  
**S<sub>5</sub> TREBLE CONTROL L**  
**S<sub>6</sub> TREBLE CONTROL R**  
**S<sub>7</sub> OUTPUT SELECTOR**  
 (1) SPEAKER A  
 (2) SPEAKER B  
 (3) SPEAKER A+B  
 (4) SPEAKER A+B
- S<sub>8</sub> PHONO 1 SELECT**  
 MIC ON  
 TAPE MON OFF  
 ON OFF  
**S<sub>9</sub> TAPE MON**  
 ON OFF  
**S<sub>10</sub> LOUDNESS**  
 ON OFF  
**S<sub>11</sub> LOW FILTER**  
 ON OFF  
**S<sub>12</sub> HIGH FILTER**  
 ON OFF  
**S<sub>13</sub> MUTING**  
 ON OFF  
**S<sub>14</sub> PRE & MAIN**  
 INTER-COUPLED  
 SEPARATED  
**S<sub>15</sub> POWER** ON ↔ OFF

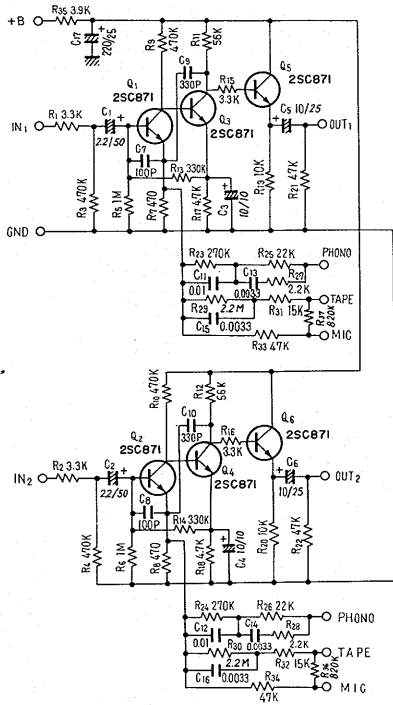
ITEM NO.	VACANT
R <sub>1</sub> ~ R <sub>51</sub>	R1516 R42-49
C <sub>1</sub> ~ C <sub>44</sub>	C1-4 C39...C40...C44

- (V) RIPPLE VOLTAGE AT NO INPUT SIGNAL  
 V DC VOLTAGE AT NO INPUT SIGNAL  
 V DC VOLTAGE AT MAX INPUT SIGNAL  
 V DC CURRENT AT NO INPUT SIGNAL  
 [mV] SIGNAL VOLTAGE AT 63W/8.0 (SPEAKER OUT)  
 [V] OUTPUT VOLTAGE AT MAX INPUT SIGNAL
- ALL VOLTAGE MEASURED WITH V.T.V.M.



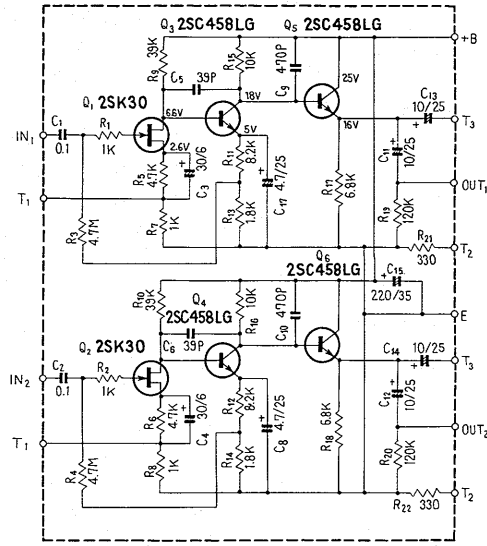
# HEAD AMP UNIT

HEAD AMP UNIT  
W15-056



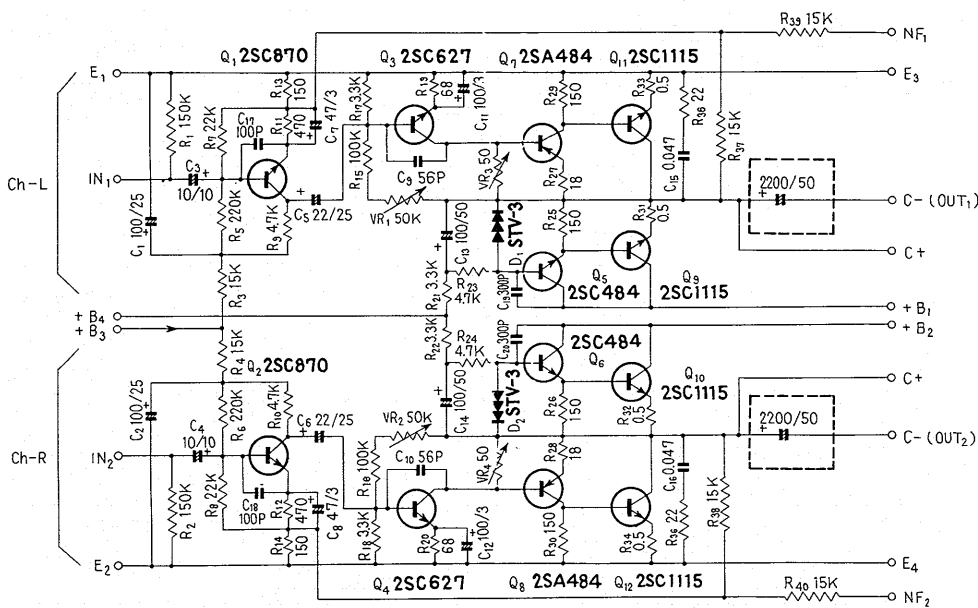
# CONTROL AMP UNIT

CONTROL AMP UNIT  
W15-050

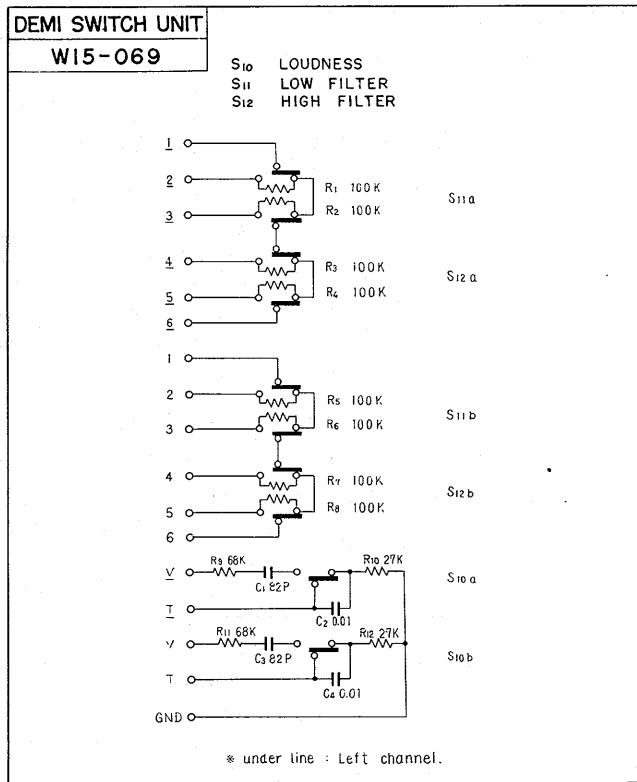


# MAIN AMP UNIT

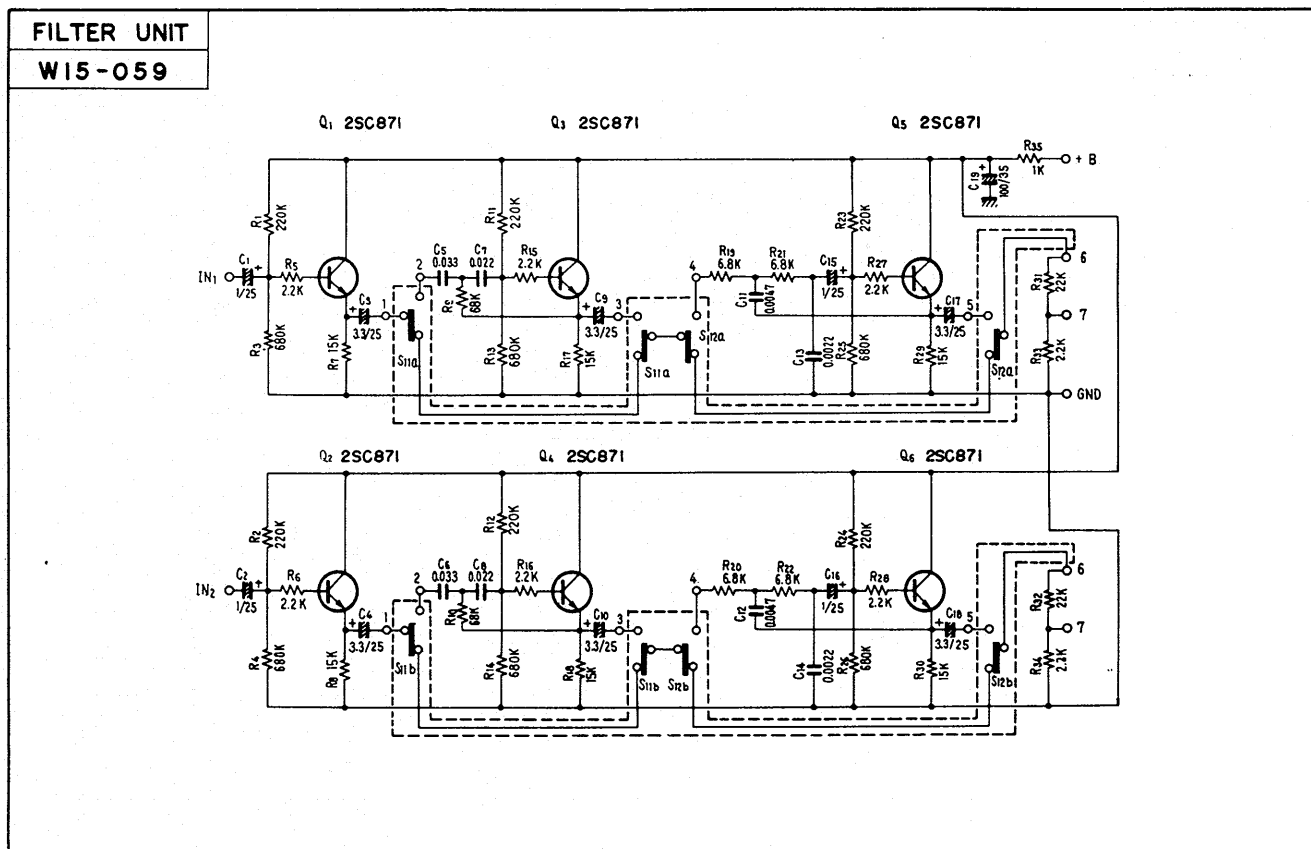
MAIN AMP UNIT  
W23-010



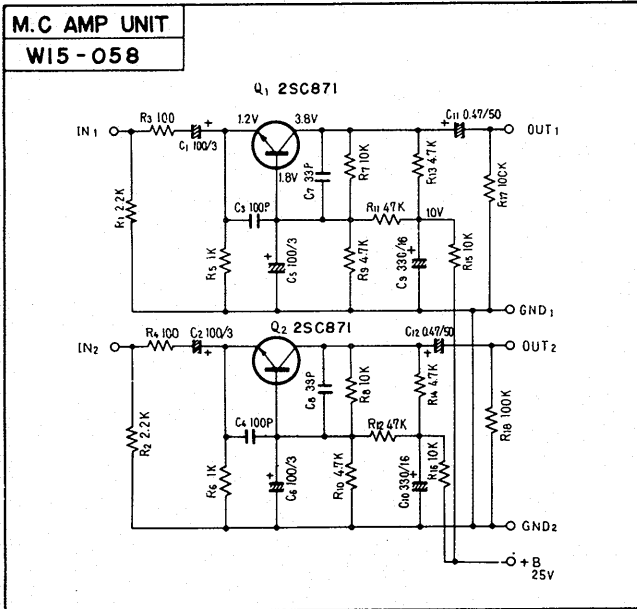
DEMI SWITCH UNIT



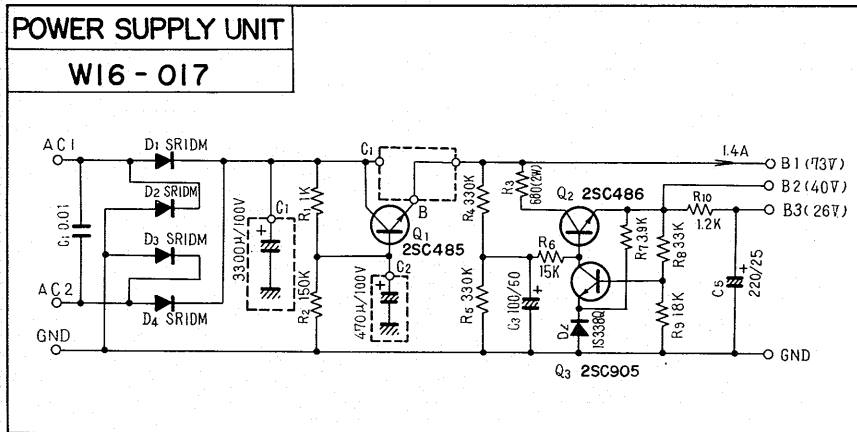
FILTER UNIT



# MC AMP UNIT



# POWER SUPPLY UNIT



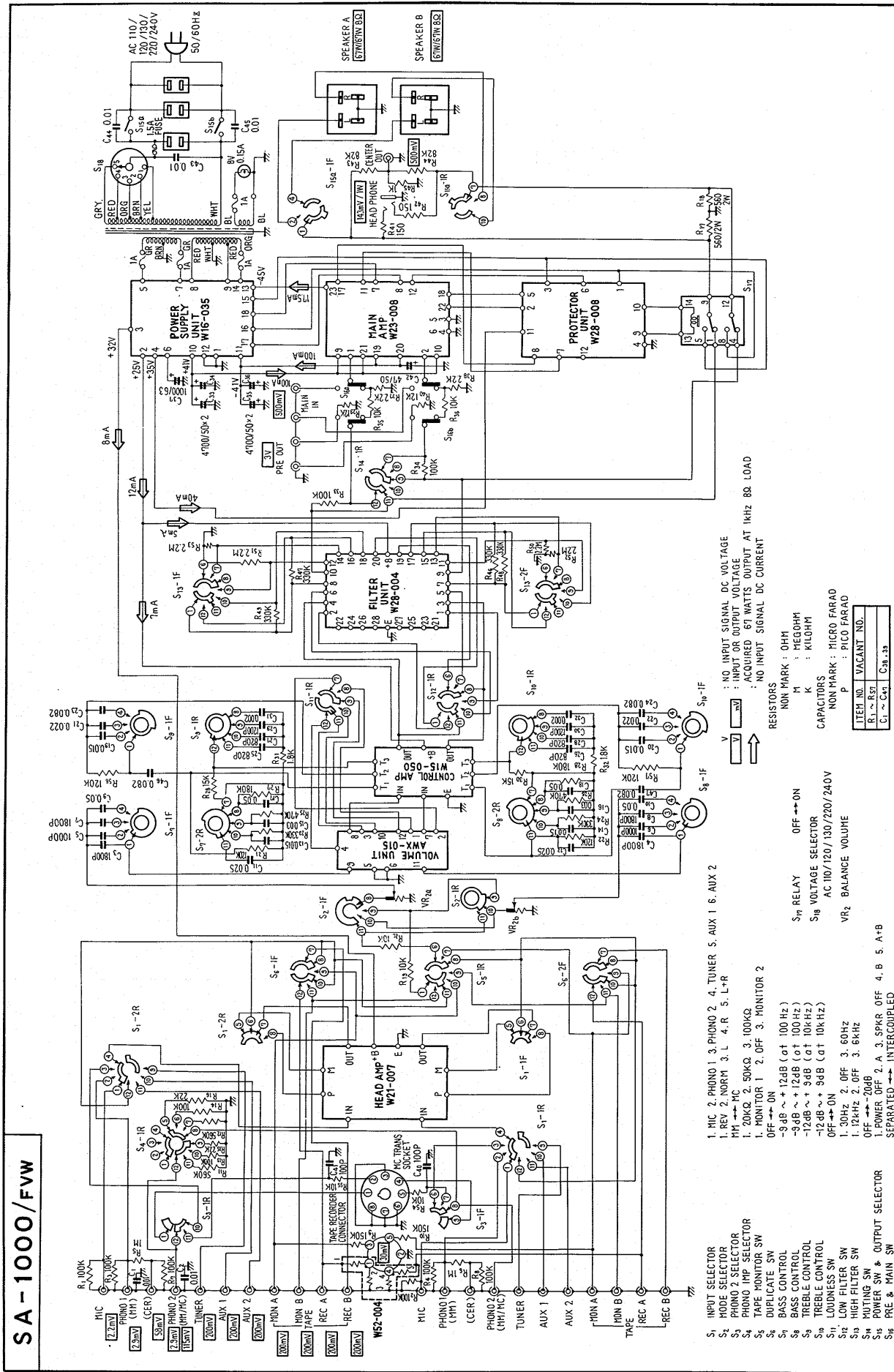
## STEREO AMPLIFIER

### SA-1000

UNIT	ROUND LABEL	FVW	KUW				
TUNER UNIT							
FM FRONT END							
FM IF UNIT							
MPX UNIT							
AM TUNER UNIT							
MUTING UNIT							
HEAD AMP UNIT		W21-007	W21-007				
CONTROL AMP UNIT		W15-050	W15-050				
MAIN AMP UNIT		W23-008	W23-008				
POWER SUPPLY UNIT		W16-035	W16-035				
SWITCH UNIT							
SWITCH UNIT							
FILTER UNIT		W28-004	W28-004				
tone color UNIT							
VR UNIT		AWX-015	AWX-015				
MIC AMP UNIT							
REVERBE AMP UNIT							
REVERBE UNIT							
PROTECTOR UNIT		W28-008	W28-008				

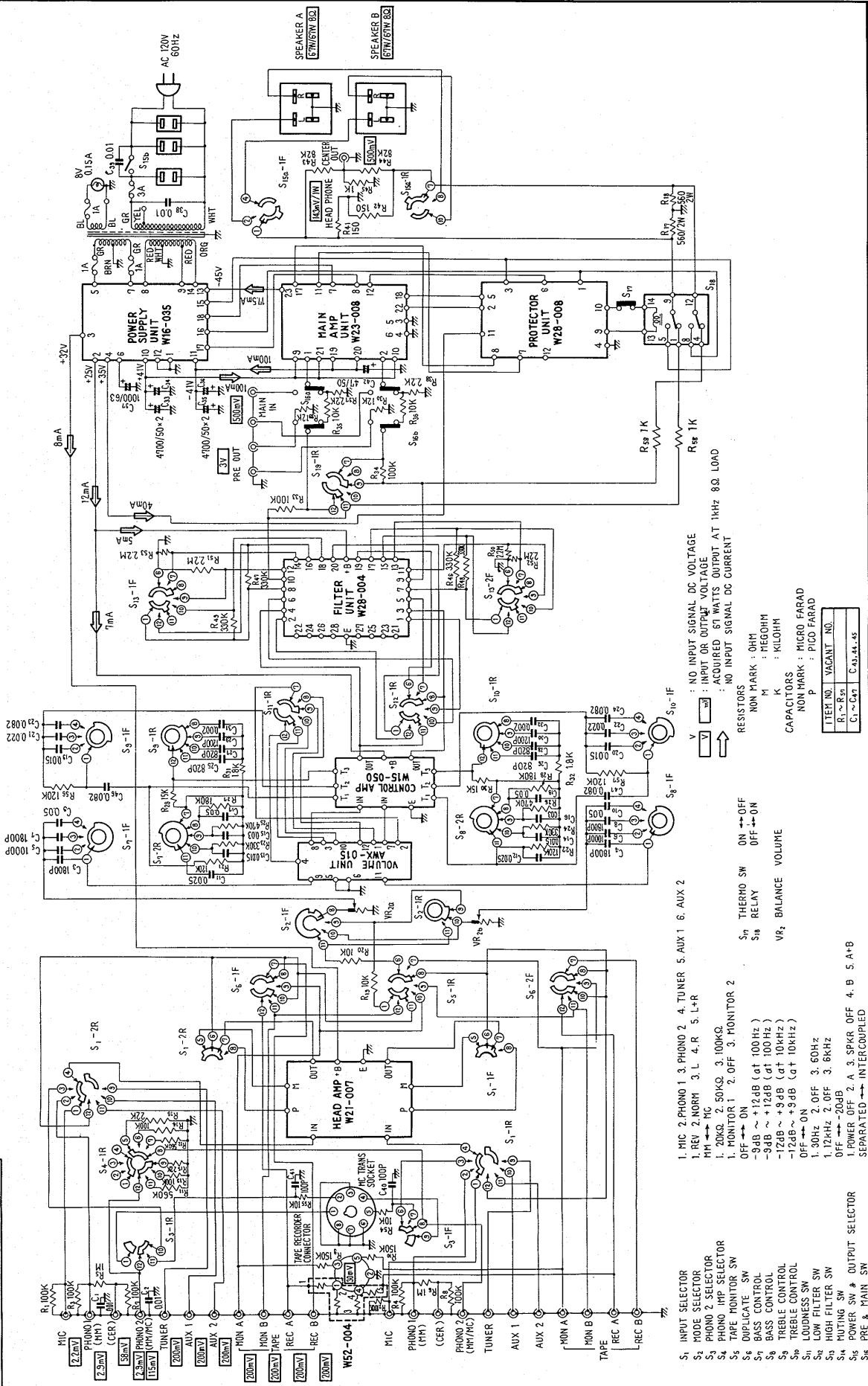


SA-1000 for FWV model



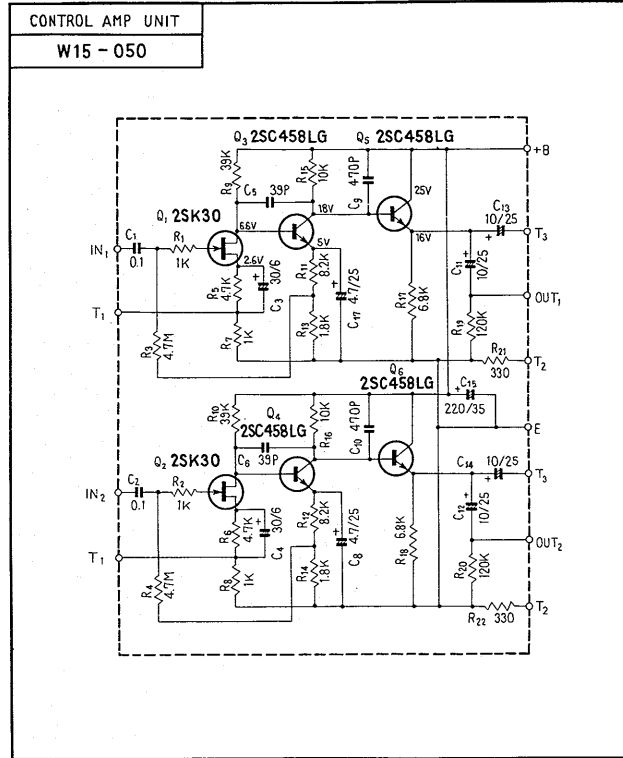
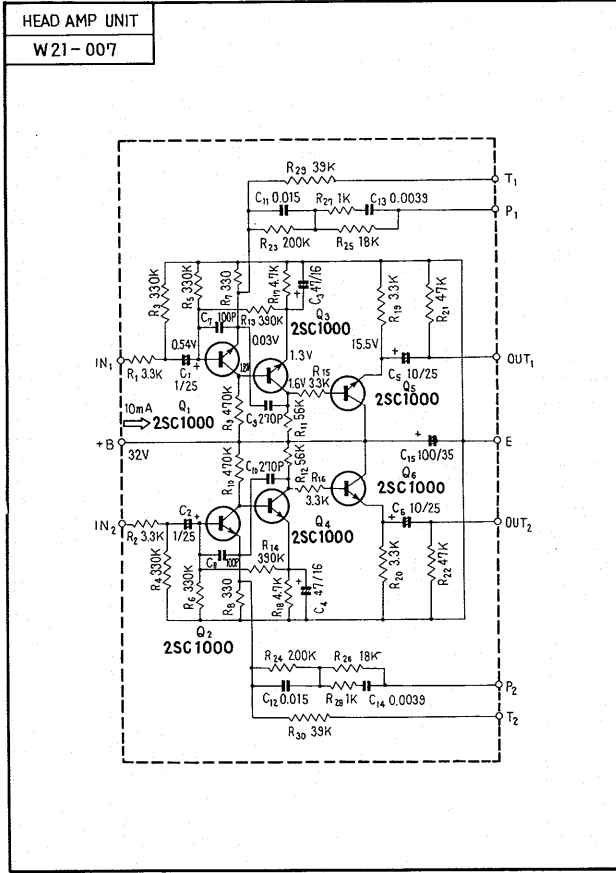
SA-1000 for KUW model

SA-1000/KUW

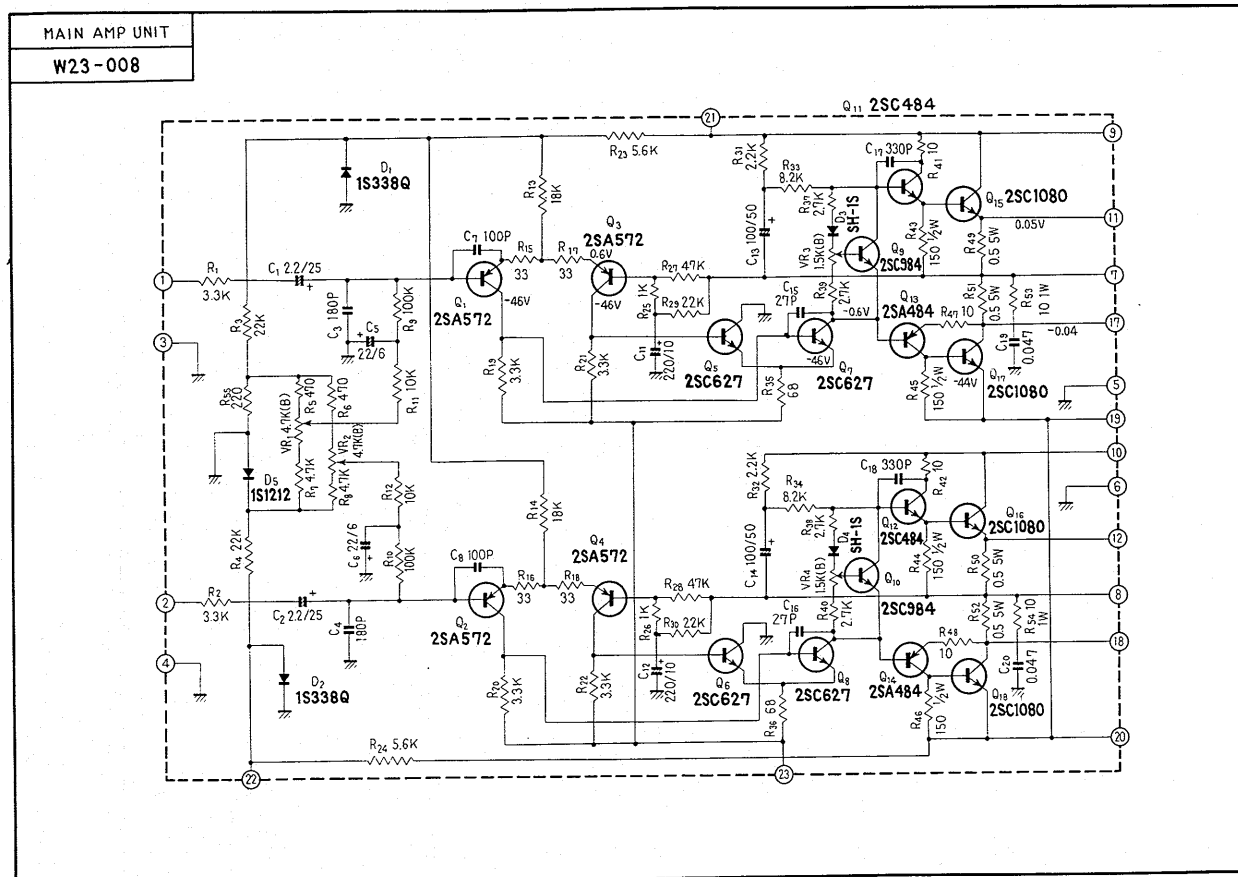


# HEAD AMP UNIT

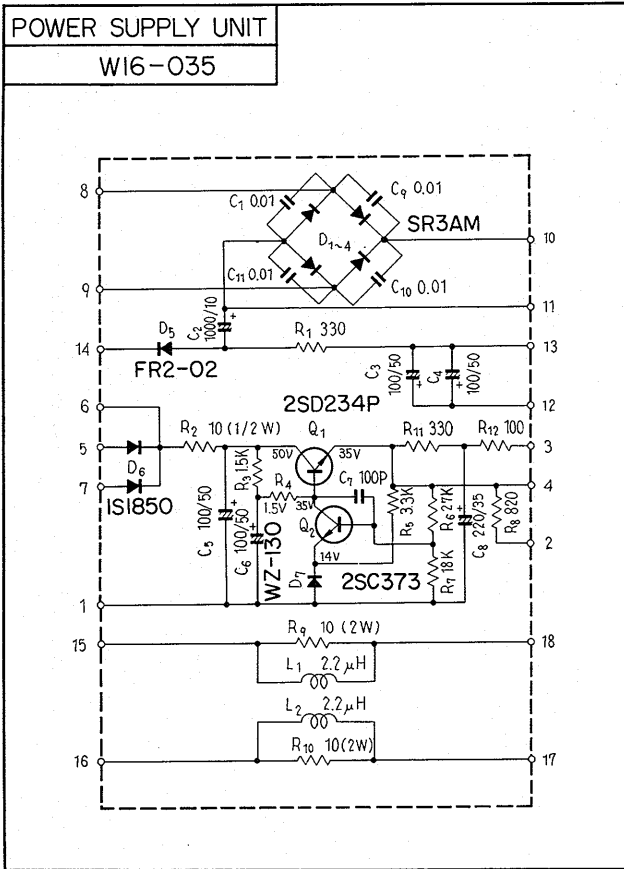
# CONTROL AMP UNIT



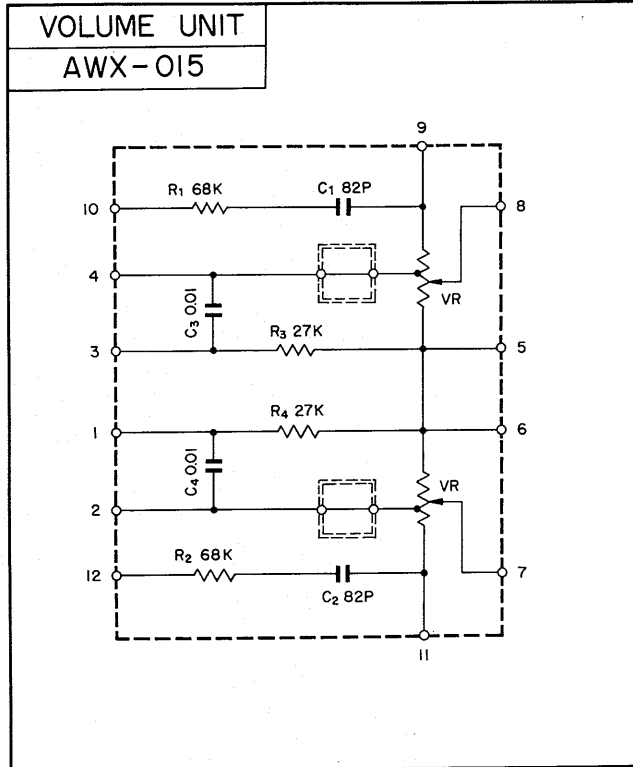
# MAIN AMP UNIT



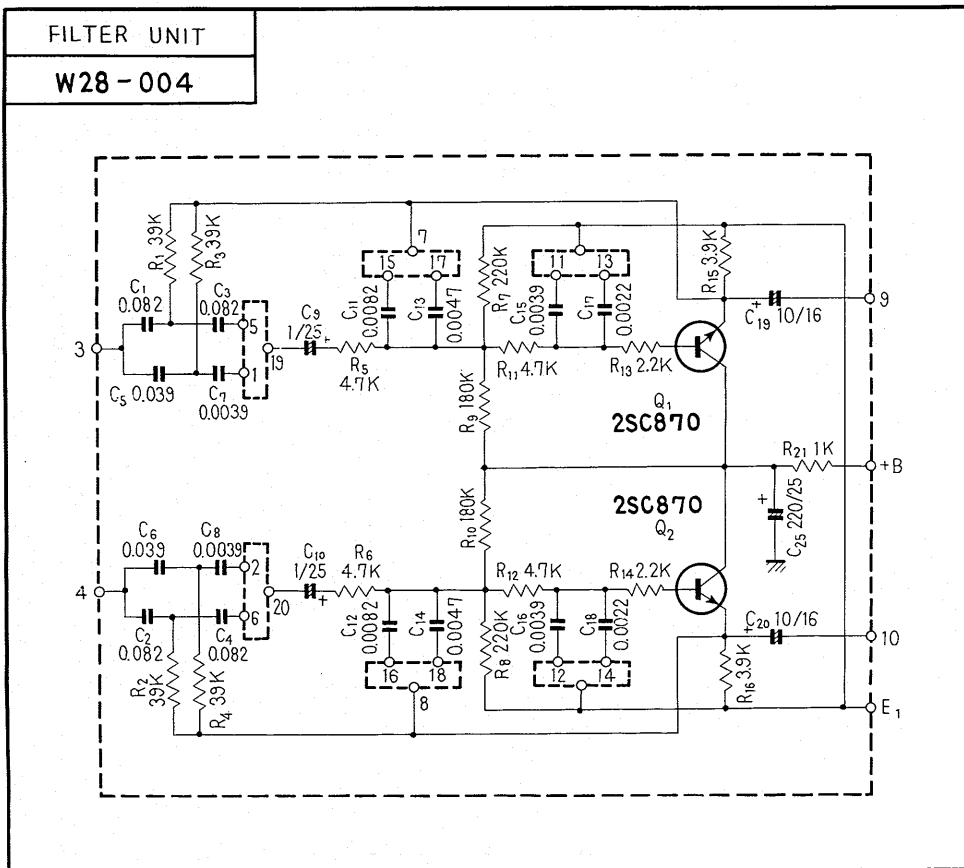
POWER SUPPLY UNIT



VOLUME UNIT



FILTER UNIT

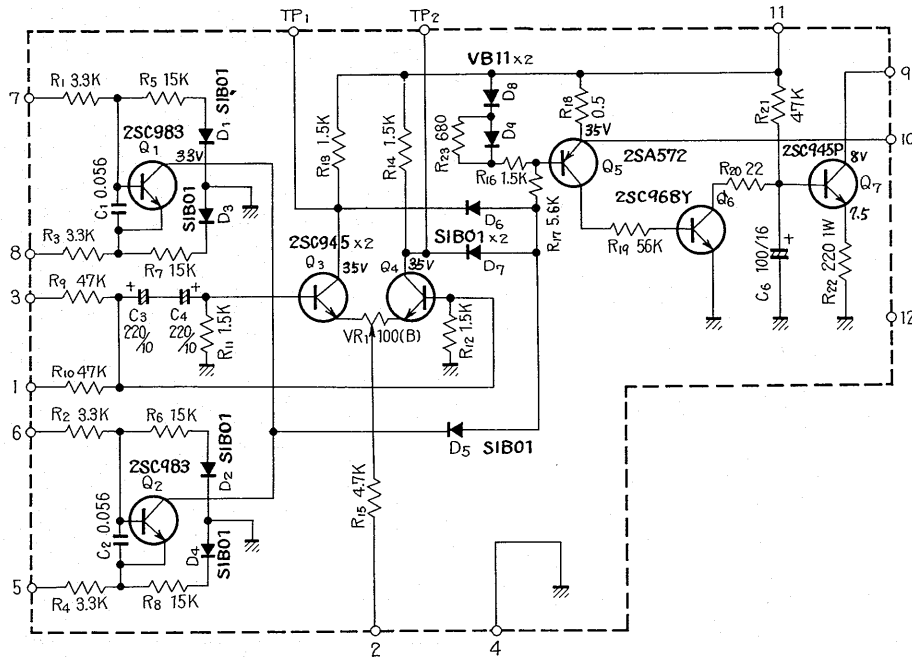




PROTECTOR UNIT

PROTECTOR UNIT

W28-008

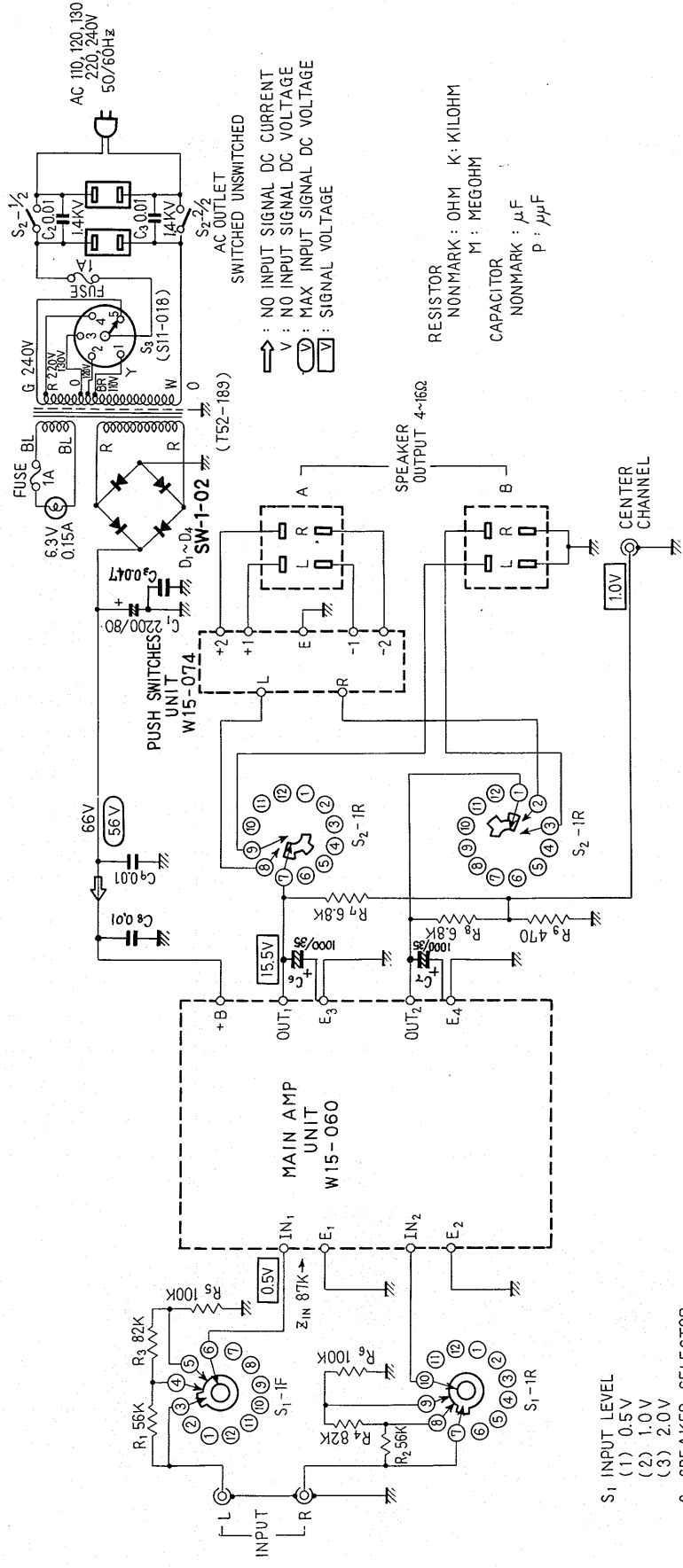


## STEREO POWER AMPLIFIER SM-700

UNIT \ ROUND LABEL	FV	KL				
FM FRONT END						
FM IF UNIT						
MPX UNIT						
AM TUNER UNIT						
MUTING UNIT						
HEAD AMP UNIT						
CONTROL AMP UNIT						
MAIN AMP UNIT	W15-060	W15-060				
POWER SUPPLY UNIT						
PUSH SWITCH UNIT	W15-074	W15-074				
SWITCH UNIT						
SWITCH UNIT						
TONE COLOR UNIT						
CONTROL UNIT						
MIC AMP UNIT						
REVERBE AMP UNIT						
REVERBE UNIT						



**SM-700**

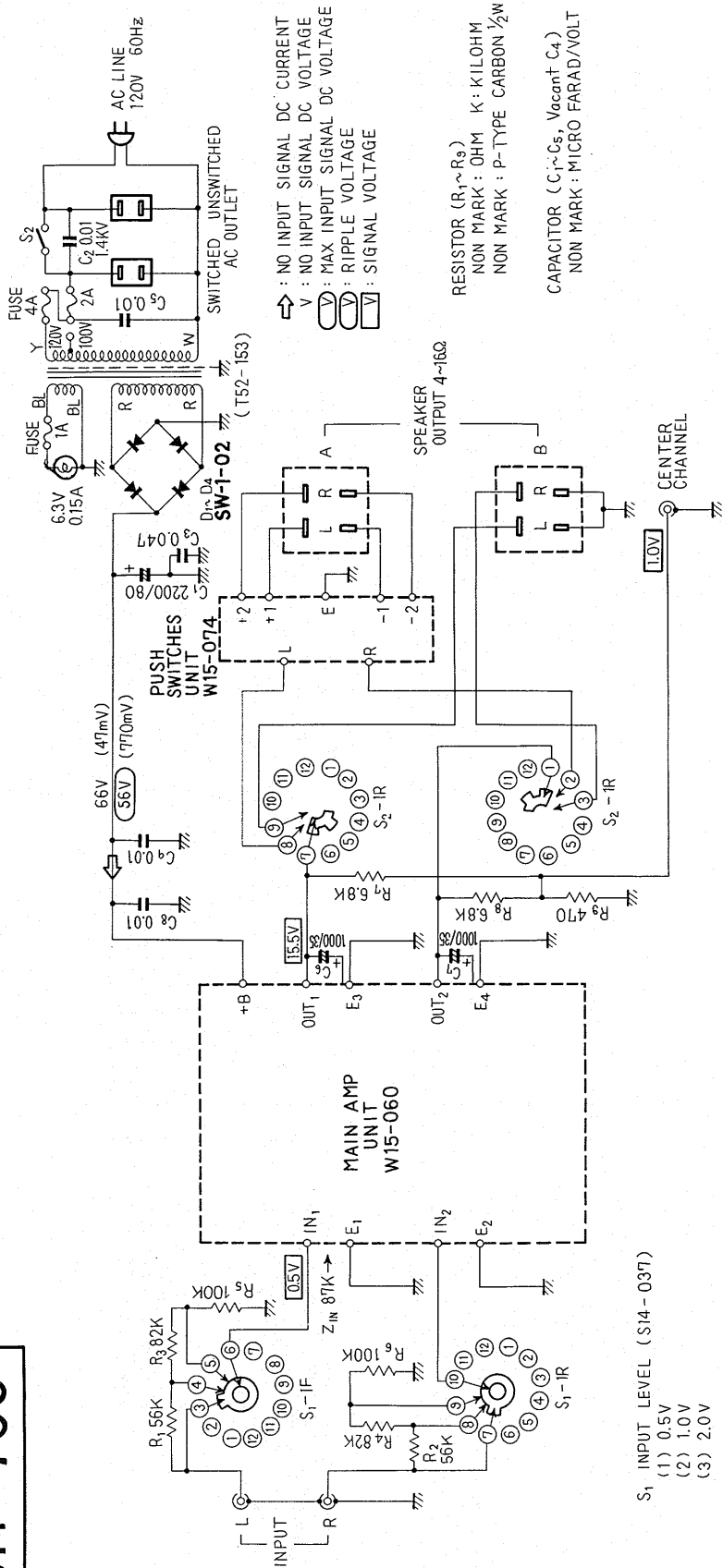


AC OUTLET SWITCHED UNSWITCHED  
 → : NO INPUT SIGNAL DC CURRENT  
 V : NO INPUT SIGNAL DC VOLTAGE  
 V : MAX INPUT SIGNAL DC VOLTAGE  
 V : SIGNAL VOLTAGE

RESISTOR NONMARK : OHM K : KILOHM  
 CAPACITOR NONMARK : μF  
 P : μμF

- S<sub>1</sub> INPUT LEVEL  
 (1) 0.5V  
 (2) 1.0V  
 (3) 2.0V
- S<sub>2</sub> SPEAKER SELECTOR  
 (1) POWER OFF  
 (2) A  
 (3) B  
 (4) A+B
- S<sub>3</sub> AC VOLTAGE SELECTOR

**SM-700**



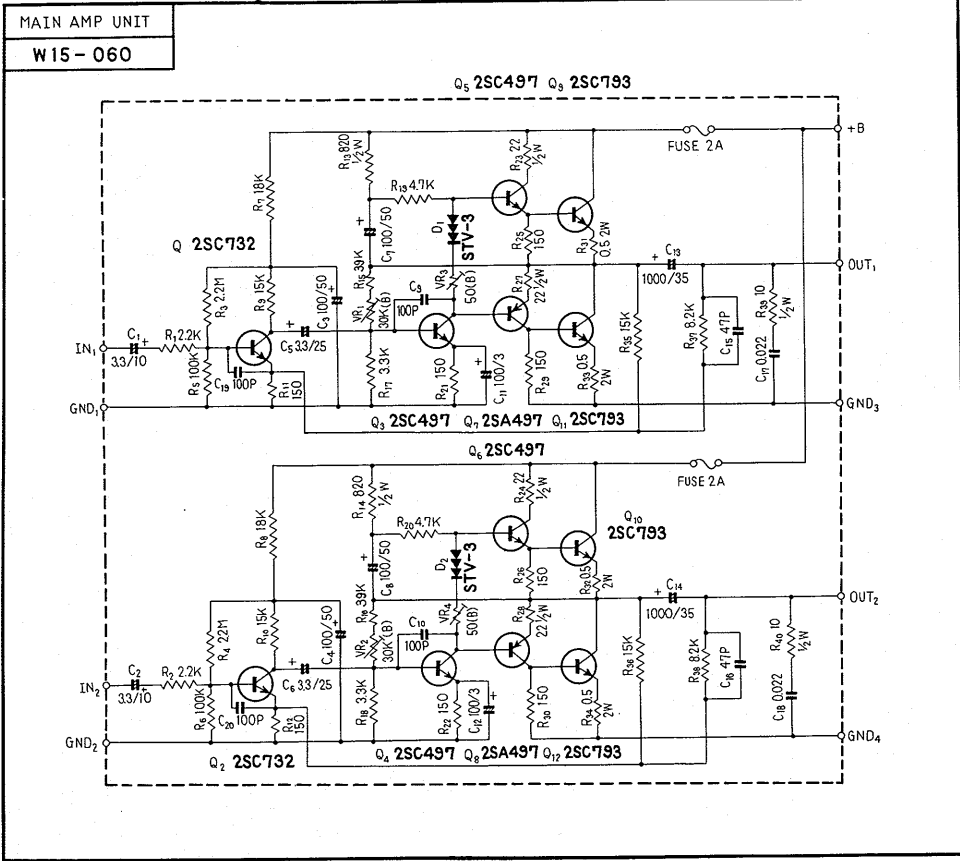
↗ : NO INPUT SIGNAL DC CURRENT  
 V : NO INPUT SIGNAL DC VOLTAGE  
 V : MAX INPUT SIGNAL DC VOLTAGE  
 V : RIPPLE VOLTAGE  
 V : SIGNAL VOLTAGE

RESISTOR (R<sub>1</sub>~R<sub>9</sub>)  
 NON MARK : OHM K : KILOHM  
 NON MARK : P-TYPE CARBON 1/2W

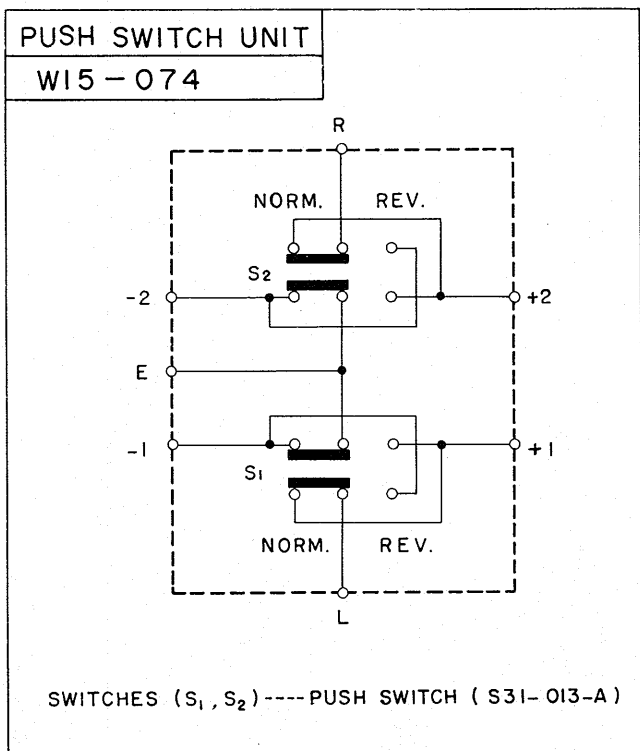
CAPACITOR (C<sub>1</sub>~C<sub>4</sub>, Vacant C<sub>4</sub>)  
 NON MARK : MICRO FARAD/VOLT

- S<sub>1</sub> INPUT LEVEL (S14-037)  
 (1) 0.5V  
 (2) 1.0V  
 (3) 2.0V
- S<sub>2</sub> SPEAKER SELECTOR (S11-025)  
 (1) POWER OFF  
 (2) A  
 (3) B  
 (4) A+B

# MAIN AMP UNIT

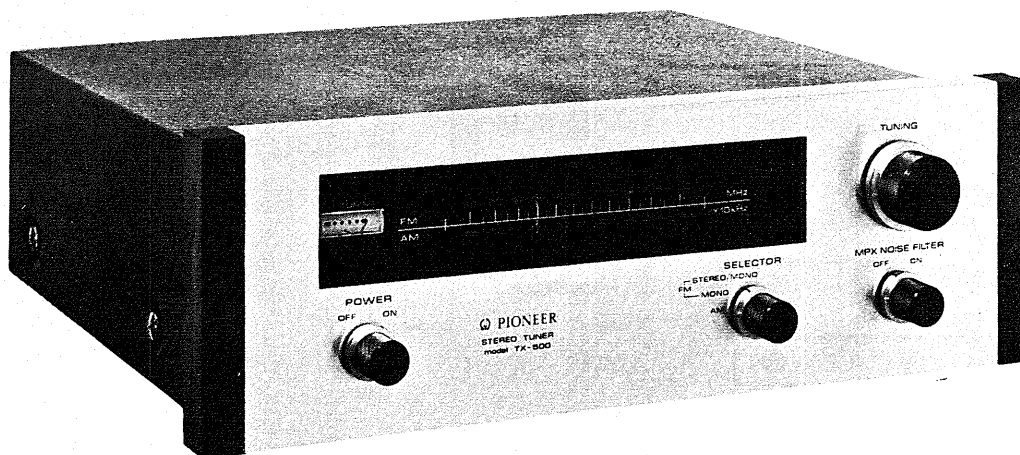


# PUSH SWITCH UNIT



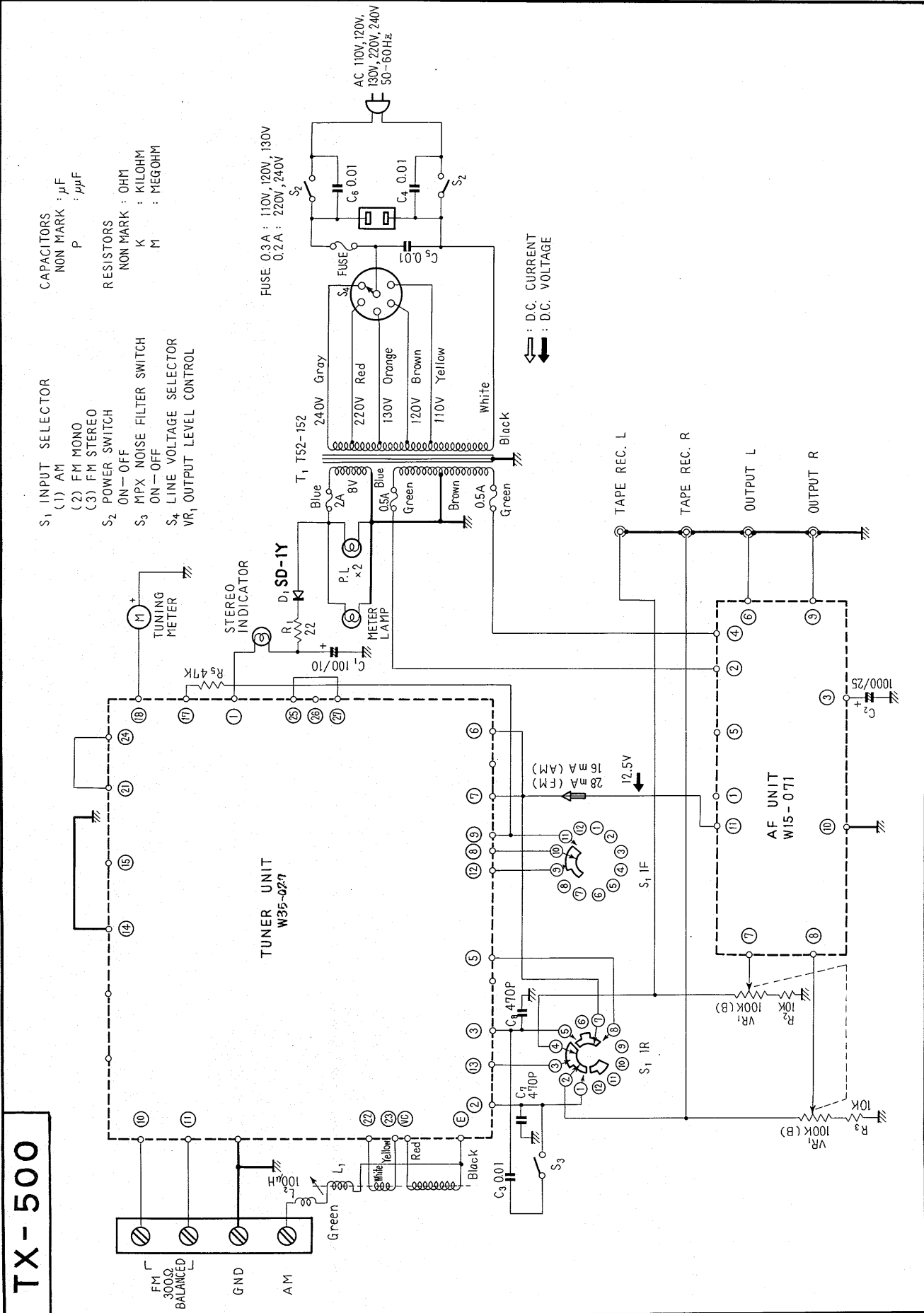
## AM/FM STEREO TUNER TX-500

ROUND LABEL UNIT	FSA	FV	FVZ	KC	KL	
TUNER UNIT	W35-018	W35-027	AWE-004	W35-027	W35-027	
FM FRONT END						
FM IF UNIT						
MPX UNIT						
AM TUNER UNIT						
MUTING UNIT						
AF UNIT	W15-071	W15-071	W15-071	W15-071	W15-071	
CONTROL AMP UNIT						
MAIN AMP UNIT						
POWER SUPPLY UNIT						
SWITCH UNIT						
SWITCH UNIT						
SWITCH UNIT						
TONE COLOR UNIT						
CONTROL UNIT						
MIC AMP UNIT						
REVERBE AMP UNIT						
REVERBE UNIT						





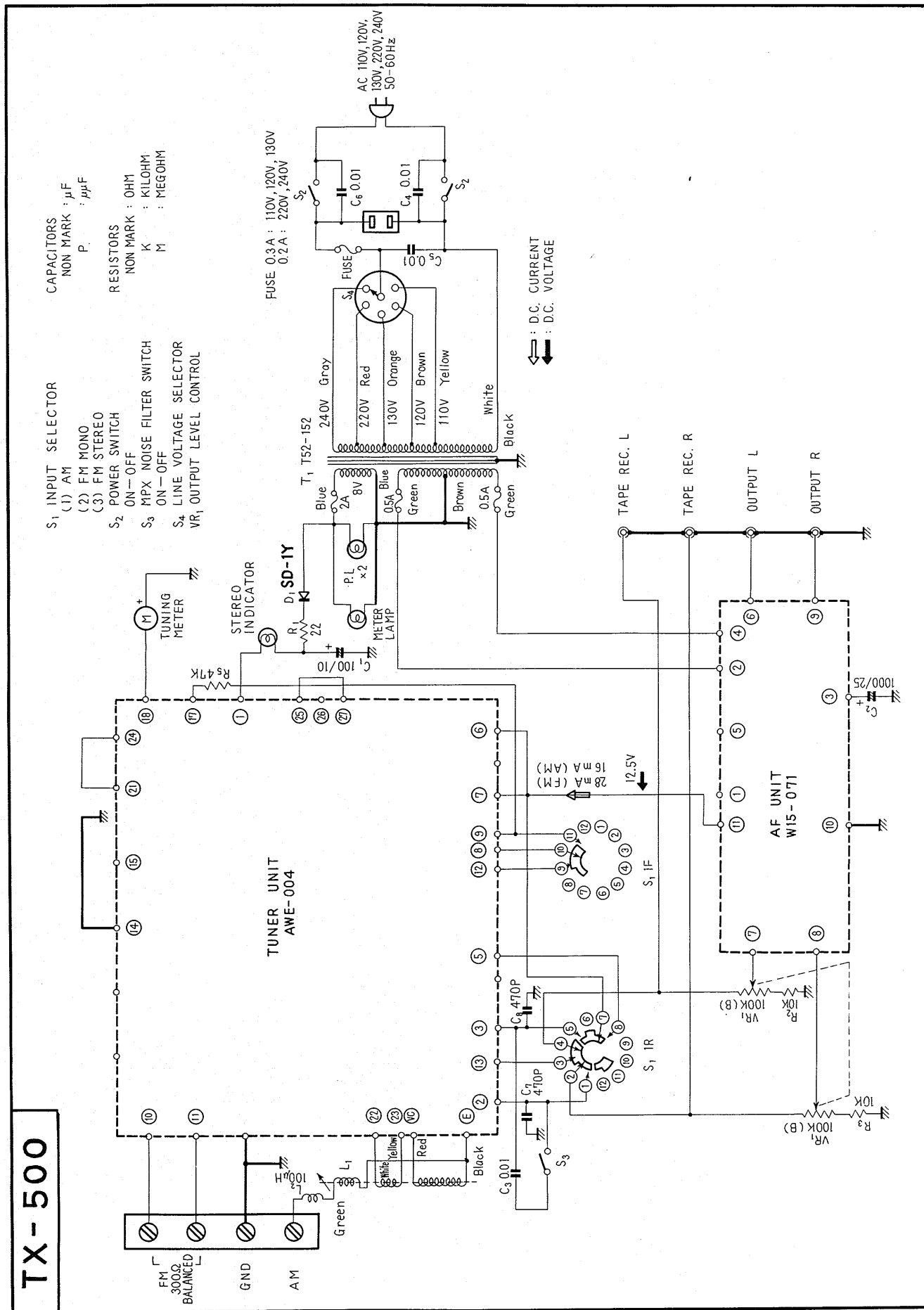
TX-500 for FV model







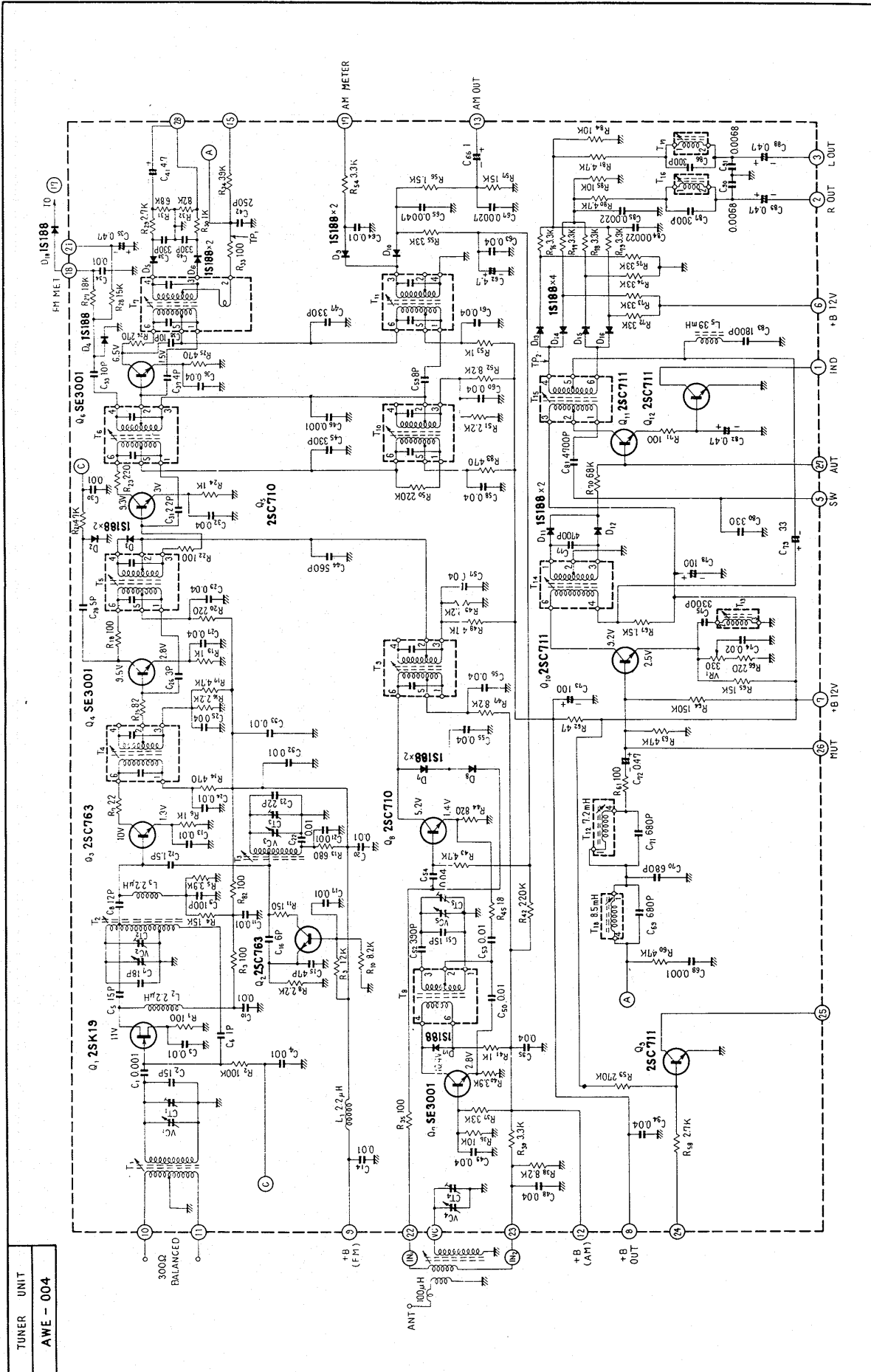
TX-500 for FVZ model





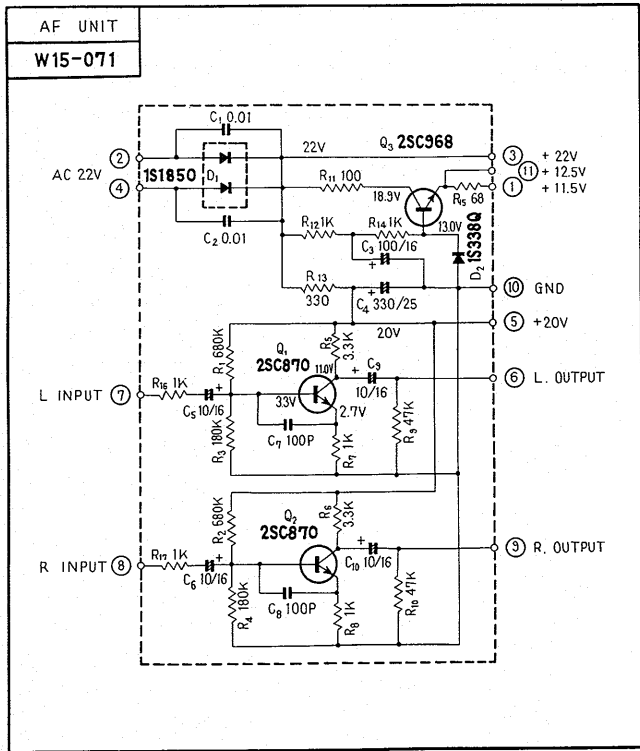


# TUNER UNIT for FVZ model



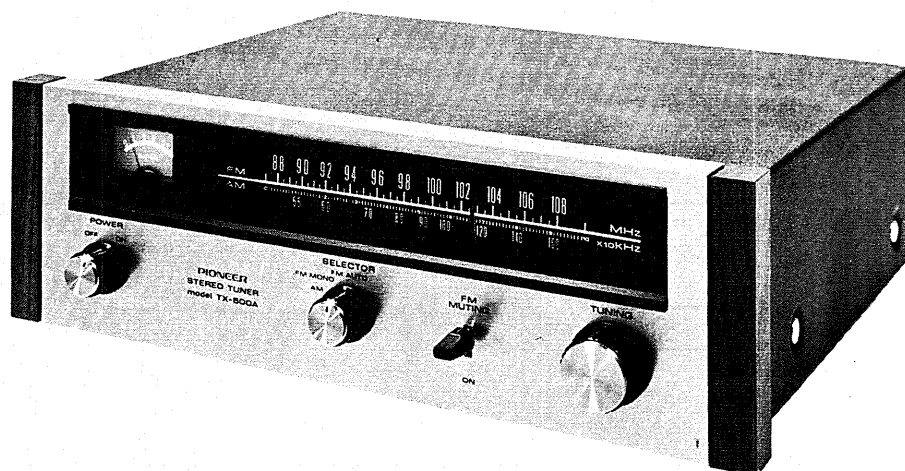
TUNER UNIT  
AWE - 004

AF UNIT



## AM/FM STEREO TUNER TX-500A

ROUND LABEL UNIT	F	FVZ	K			
TUNER UNIT	AWE-008	AWE-008	AWE-008			
FM FRONT END						
FM IF UNIT						
MPX UNIT						
AM TUNER UNIT						
MUTING UNIT						
AF UNIT	AWK-006	AWK-006	AWK-006			
CONTROL AMP UNIT						
MAIN AMP UNIT						
POWER SUPPLY UNIT						
SWITCH UNIT						
SWITCH UNIT						
SWITCH UNIT						
TONE COLOR UNIT						
CONTROL UNIT						
MIC AMP UNIT						
REVERBE AMP UNIT						
REVERBE UNIT						

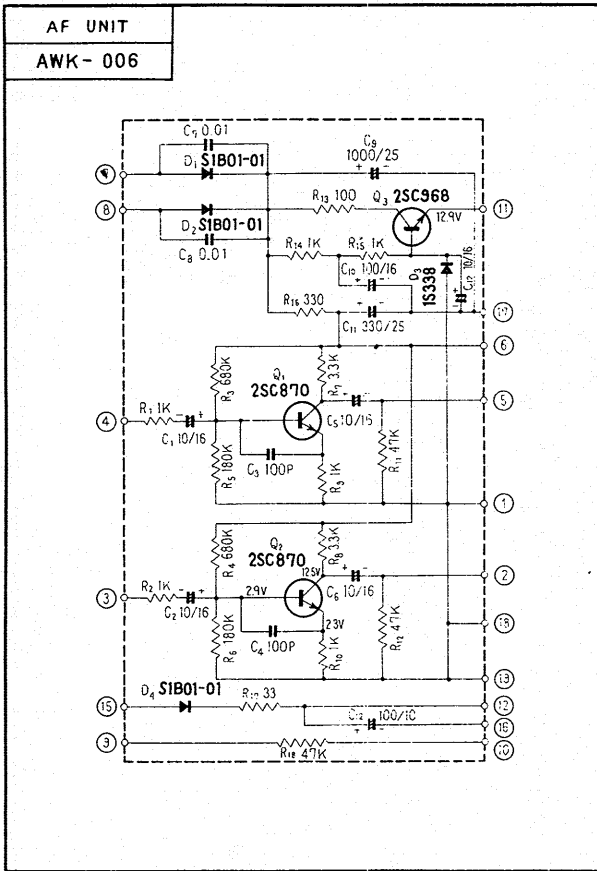








# AF UNIT



## AM/FM STEREO TUNER TX-600

UNIT \ ROUND LABEL	FVZW	FW	KUW	KCW		
TUNER UNIT	AWE-003	AWE-003	AWE-003	AWE-003		
FM FRONT END						
FM IF UNIT						
MPX UNIT						
AM TUNER UNIT						
MUTING UNIT						
AF UNIT	AWM-002	AWM-002	AWM-002	AWM-002		
CONTROL AMP UNIT						
MAIN AMP UNIT						
POWER SUPPLY UNIT						
SWITCH UNIT						
SWITCH UNIT						
SWITCH UNIT						
TONE COLOR UNIT						
CONTROL UNIT						
MIC AMP UNIT						
REVERBE AMP UNIT						
REVERBE UNIT						

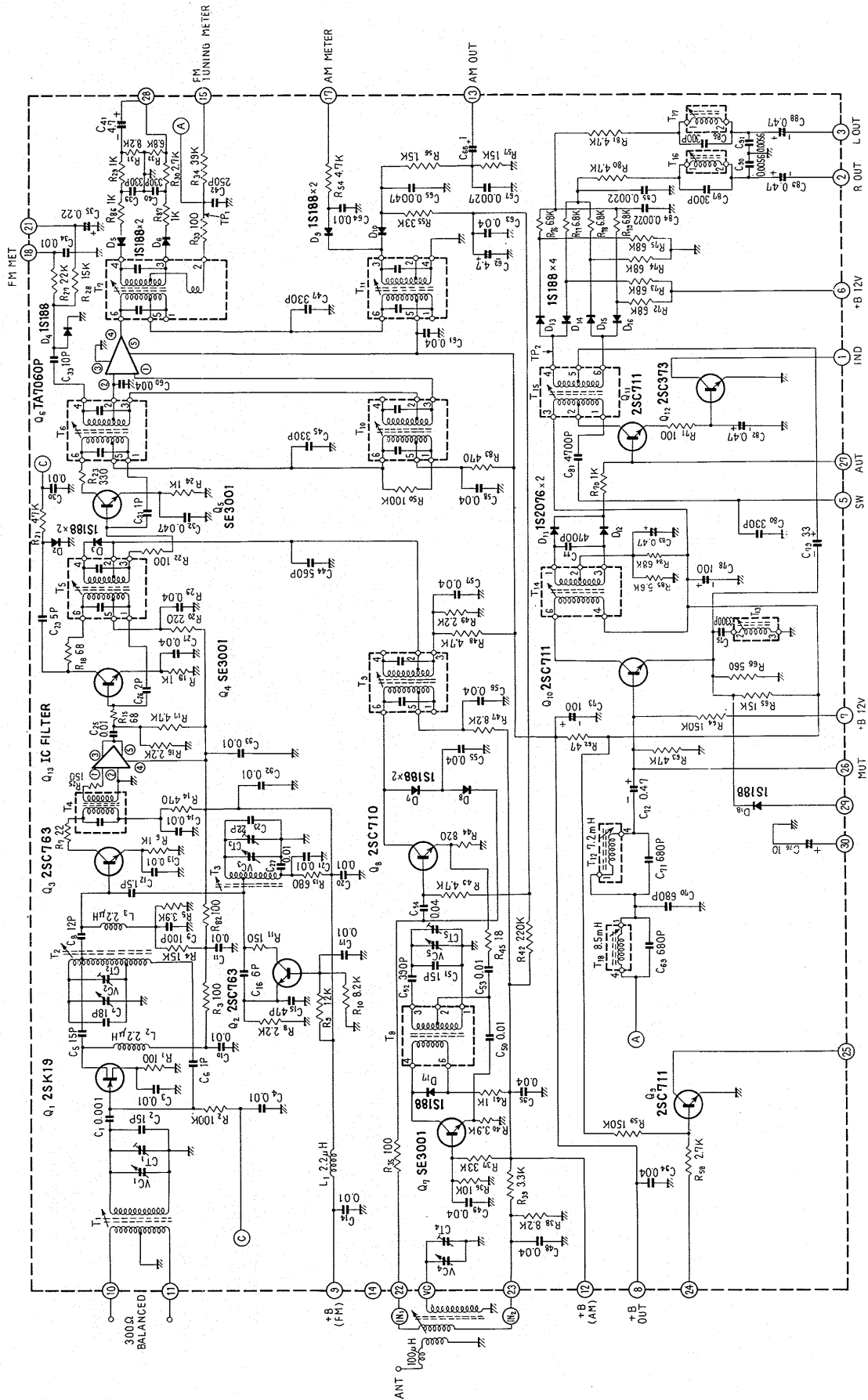




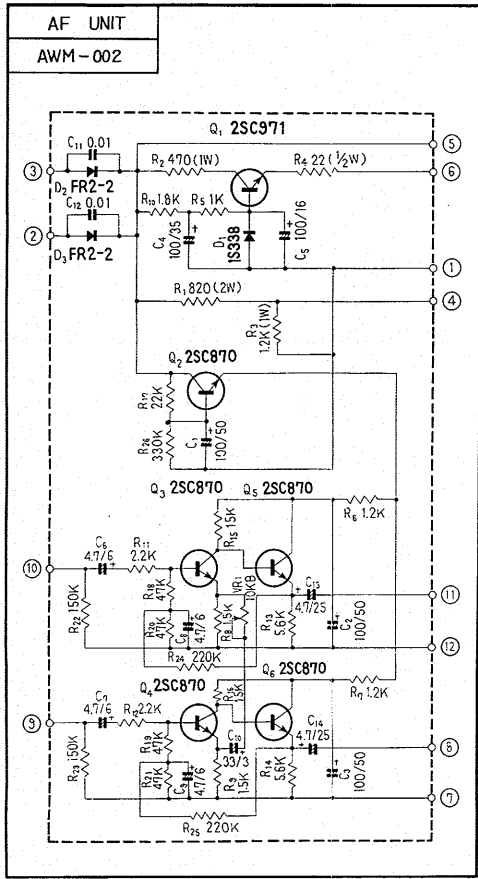


# TUNER UNIT

TUNER UNIT  
AWE - 003



AF UNIT

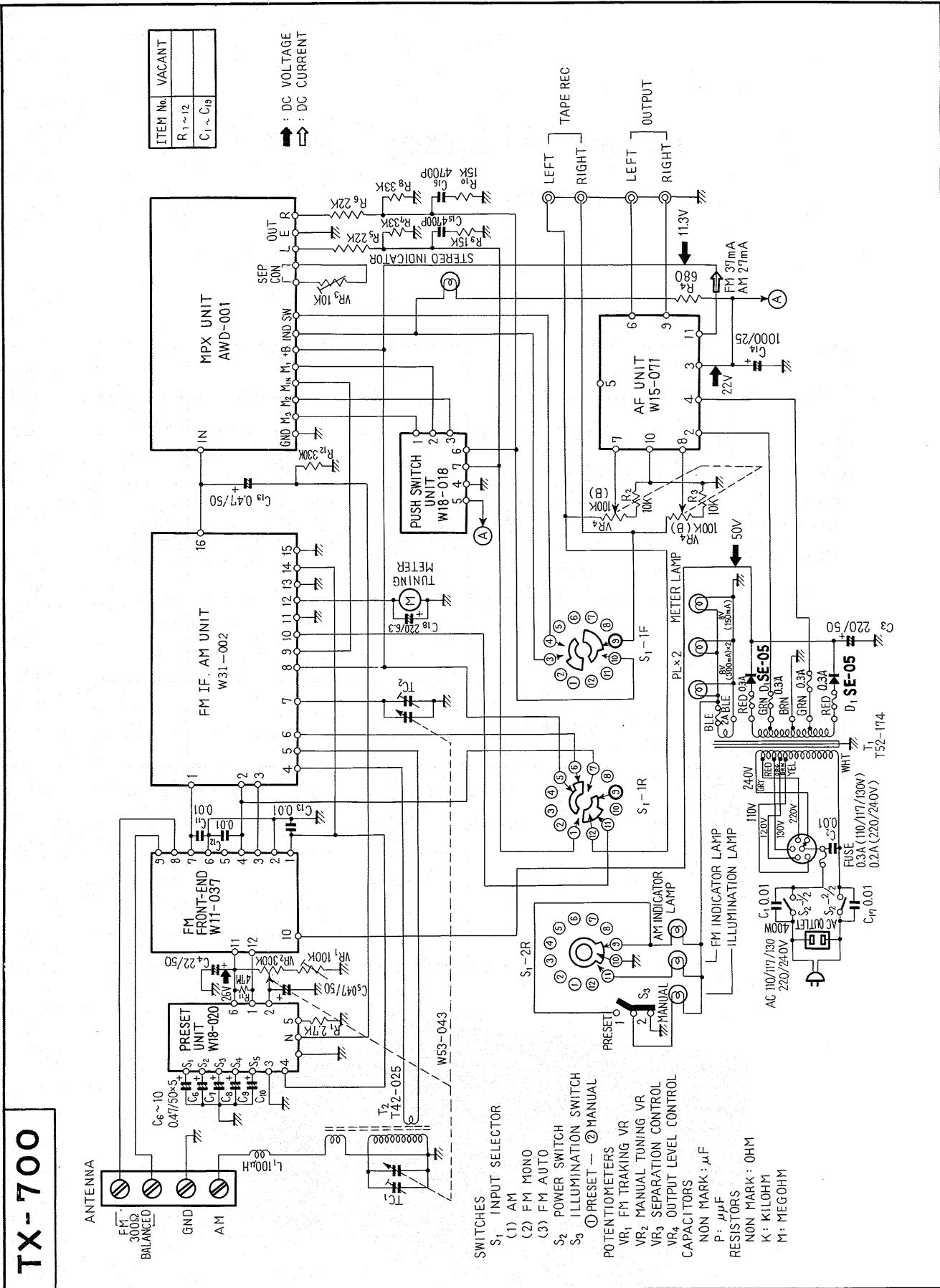


## AM/FM STEREO TUNER TX-700

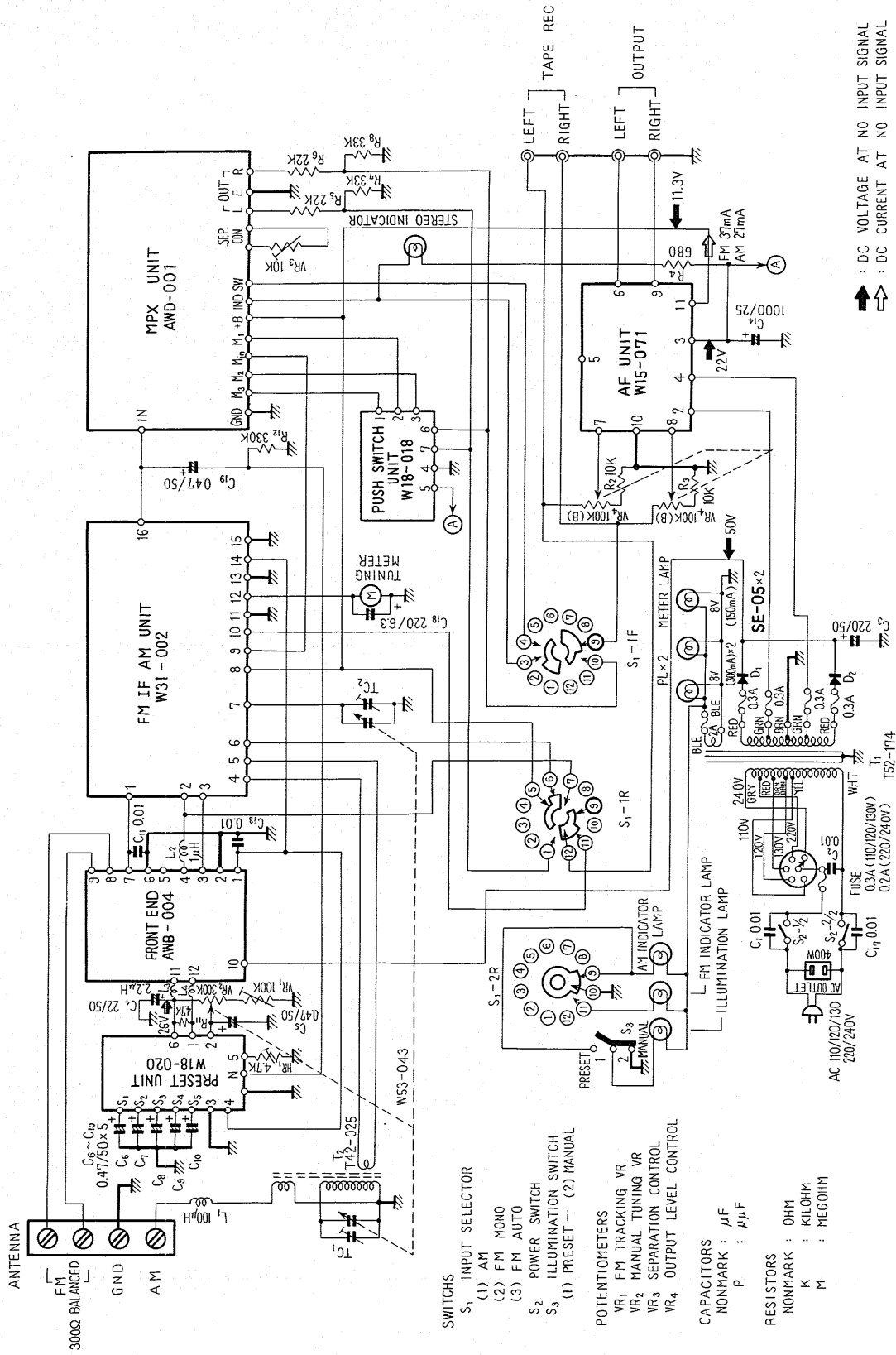
ROUND LABEL UNIT	FV	FVZ				
FM FRONT END	W11-037	AWB-004				
FM IF UNIT	W31-002	W31-002				
MPX UNIT	AWD-001	AWD-001				
AM TUNER UNIT						
MUTING UNIT						
AF UNIT	W15-071	W15-071				
CONTROL AMP UNIT						
MAIN AMP UNIT						
POWER SUPPLY UNIT						
SWITCH UNIT	W18-018	W18-018				
PRESET UNIT	W18-020	W18-020				
SWITCH UNIT						
TONE COLOR UNIT						
CONTROL UNIT						
MIC AMP UNIT						
REVERBE AMP UNIT						
REVERBE UNIT						







TX-700



SWITCHES  
S<sub>1</sub> INPUT SELECTOR  
(1) AM  
(2) FM MONO  
(3) FM AUTO  
S<sub>2</sub> POWER SWITCH  
S<sub>3</sub> ILLUMINATION SWITCH  
(1) PRESET - (2) MANUAL

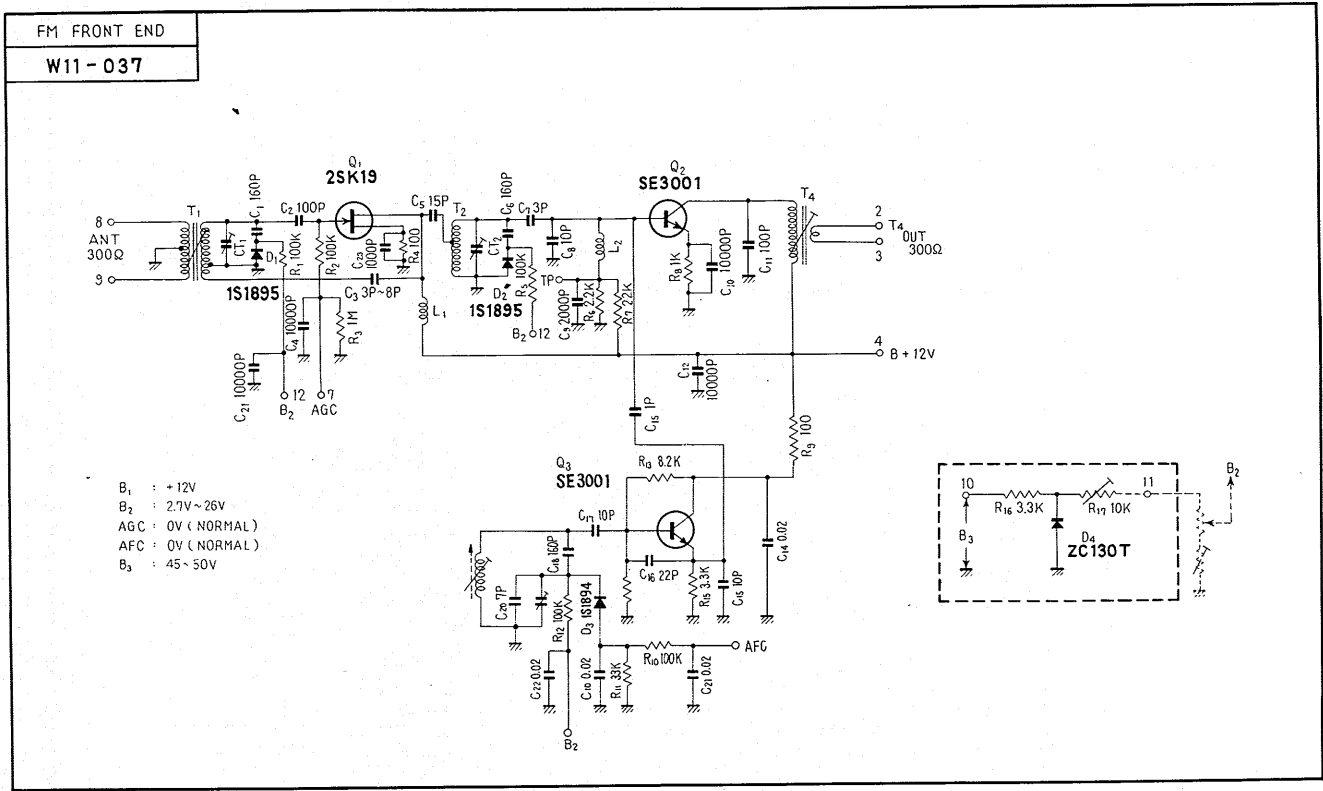
POTENTIOMETERS  
VR<sub>1</sub> FM TRACKING VR  
VR<sub>2</sub> MANUAL TUNING VR  
VR<sub>3</sub> SEPARATION CONTROL  
VR<sub>4</sub> OUTPUT LEVEL CONTROL

CAPACITORS  
NONMARK : μF  
P : pμF

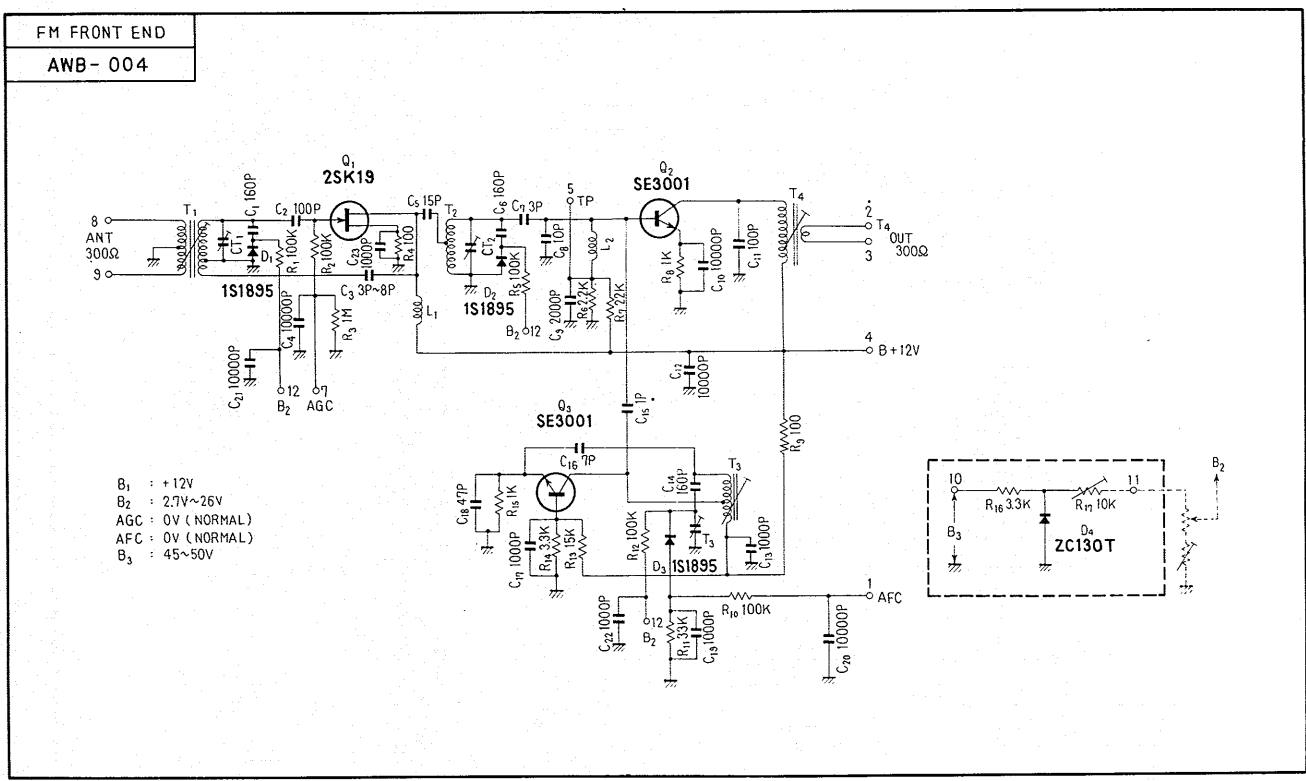
RESISTORS  
NONMARK : OHM  
K : KILOHM  
M : MEGOHM

↑ : DC VOLTAGE AT NO INPUT SIGNAL  
⇓ : DC CURRENT AT NO INPUT SIGNAL

# FM FRONT END

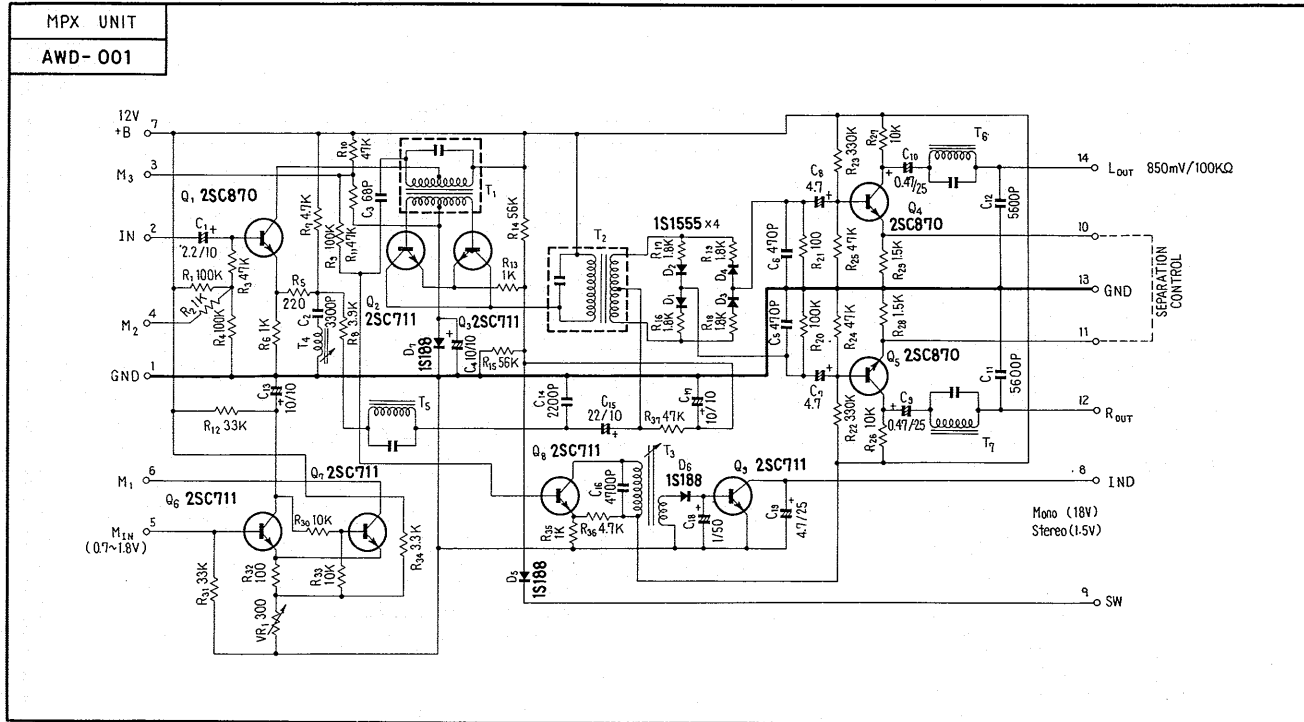


# FM FRONT END for FVZ model

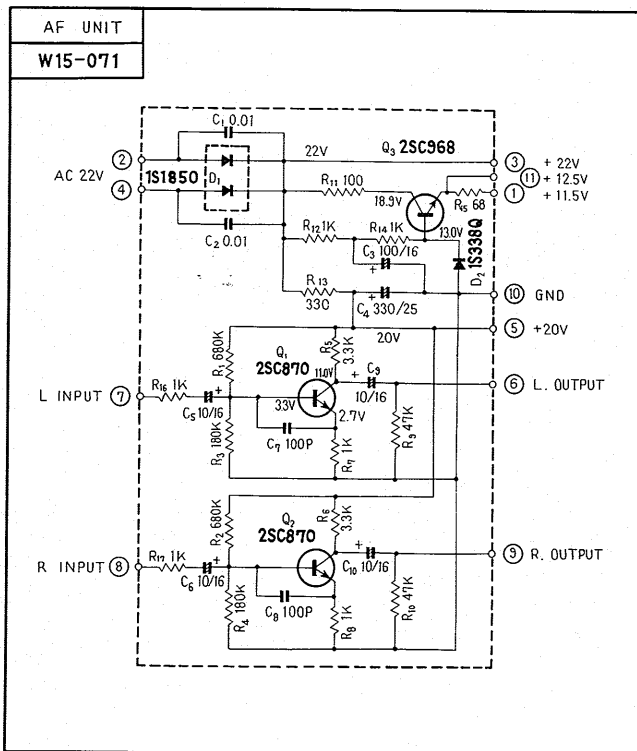




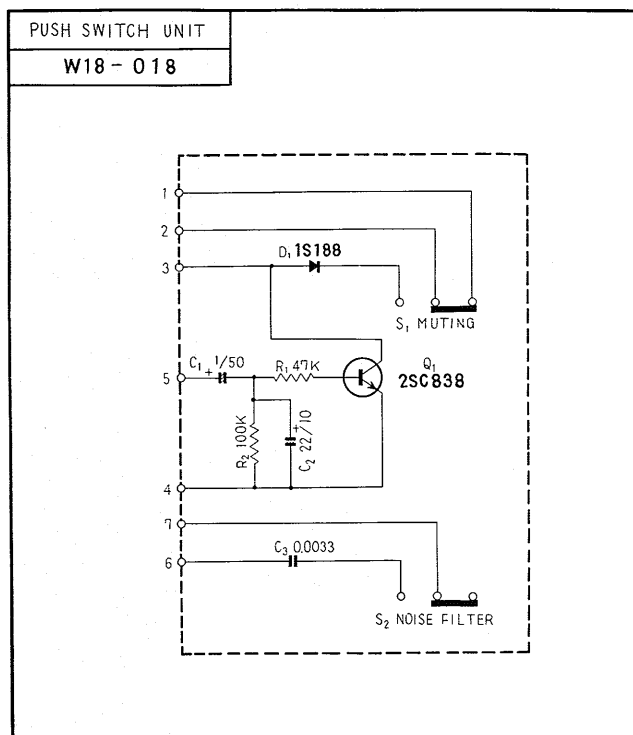
# MPX UNIT



# AF UNIT



# SWITCH UNIT







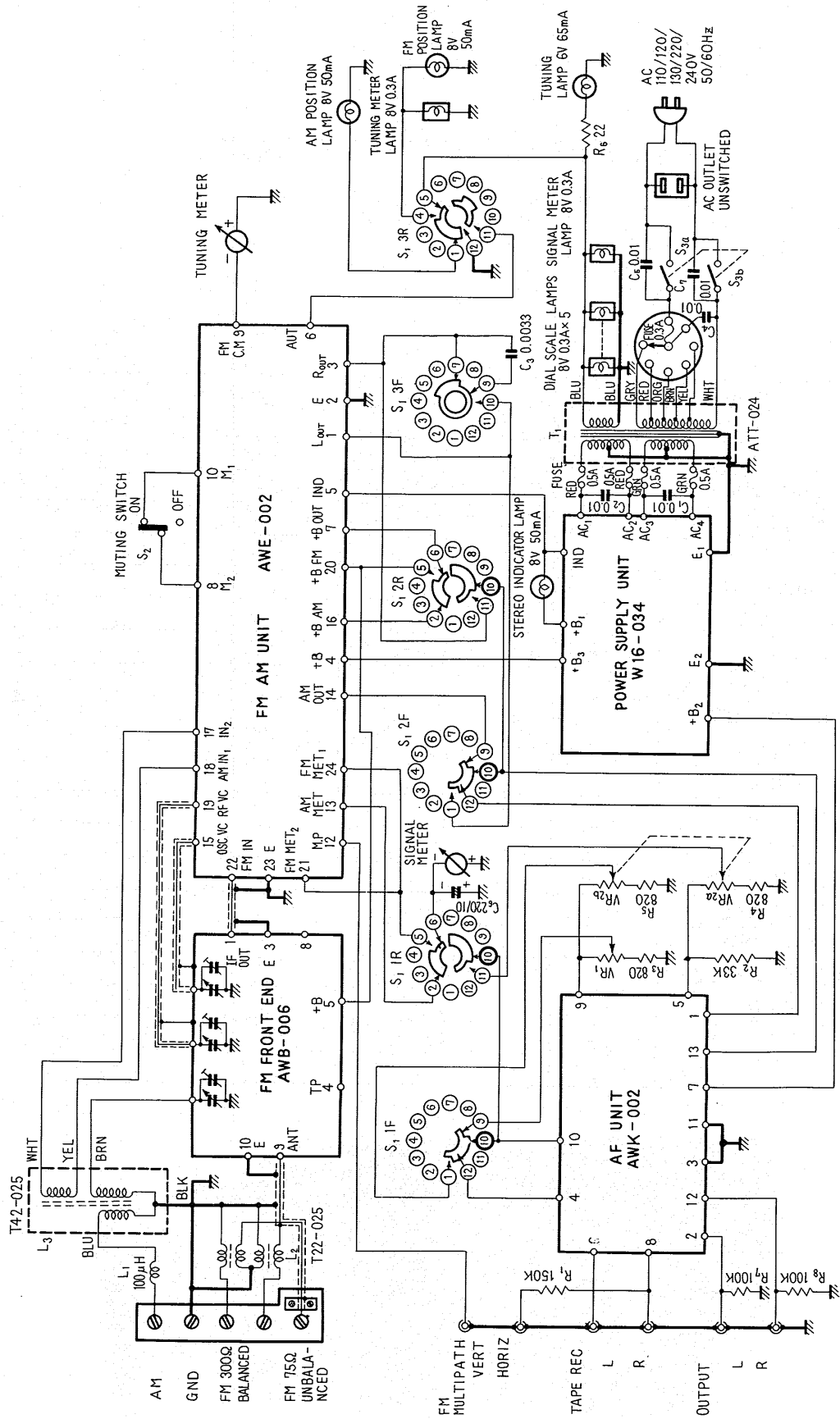
**AM/FM STEREO TUNER  
TX-800**

UNIT \ ROUND LABEL	FVZW	FW	KCW	KUW		
FM FRONT END	AWB-006	W11-045	W11-045	W11-045		
FM AM UNIT	AWE-002	AWE-002	AWE-002	AWE-002		
MPX UNIT						
AM TUNER UNIT						
MUTING UNIT						
AF UNIT	AWK-002	AWK-002	AWK-002	AWK-002		
CONTROL AMP UNIT						
MAIN AMP UNIT						
POWER SUPPLY UNIT	W16-034	W16-034	W16-034	W16-034		
SWITCH UNIT						
SWITCH UNIT						
SWITCH UNIT						
TONE COLOR UNIT						
CONTROL UNIT						
MIC AMP UNIT						
REVERBE AMP UNIT						
REVERBE UNIT						





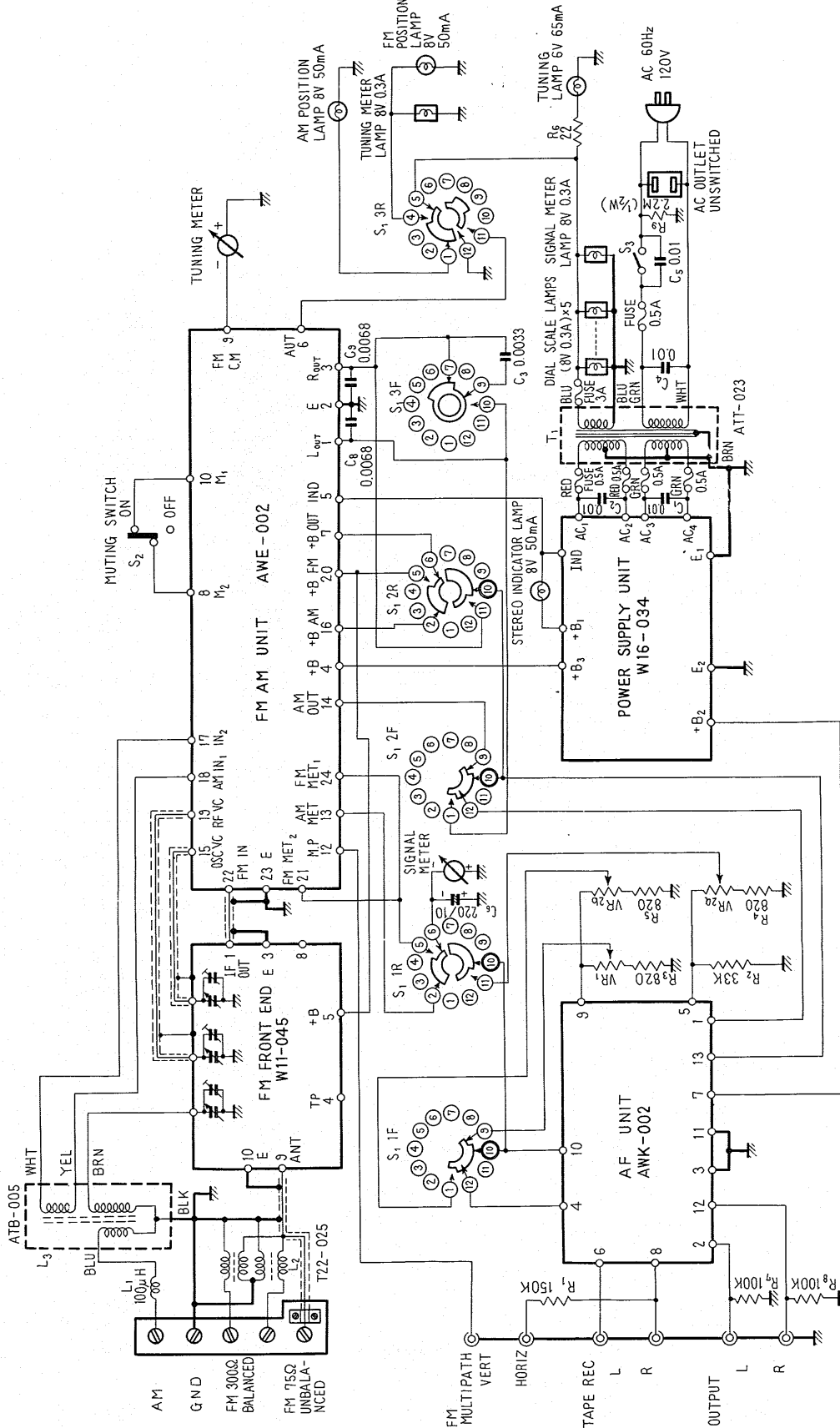
**TX-800**



- S1 BAND SELECTOR**  
 1) AM 2) FM MONO 3) FM AUTO 4) MPX NOISE FILTER
- S2 MUTING SWITCH**  
 ON OFF
- S3 POWER SWITCH**
- POTENTIOMETERS**  
 VR1 AM OUTPUT LEVEL CONTROL  
 VR2 FM OUTPUT LEVEL CONTROL
- CAPACITORS**  
 NON MARK :  $\mu F$  , P :  $\mu F$   
 RESISTORS NON MARK :  $\Omega$  M , K : KILOHM , M : MEGOHM



**TX-800**



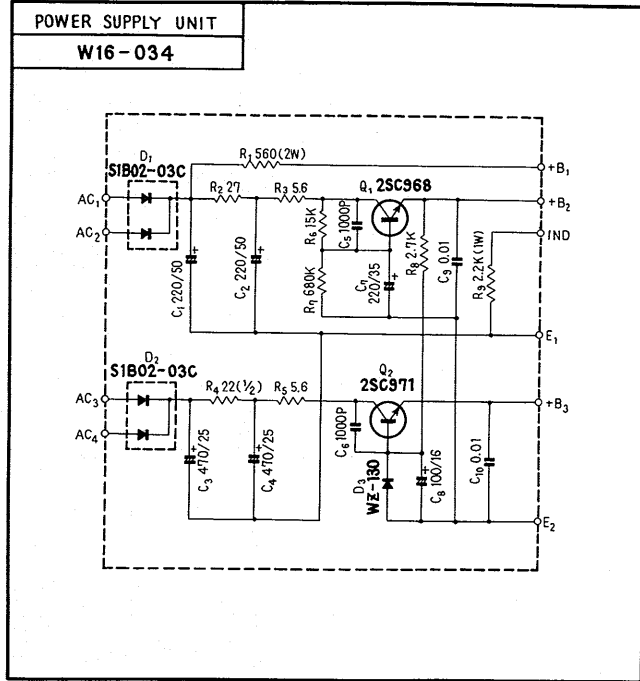
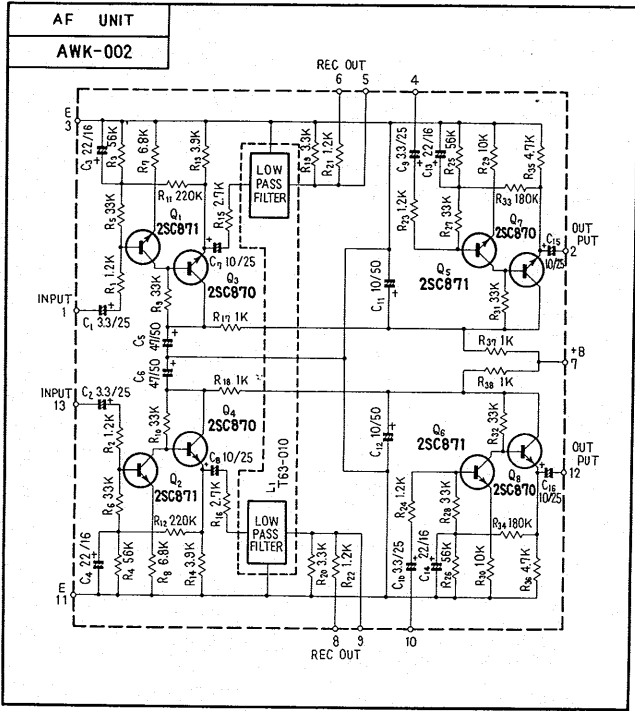
- S<sub>1</sub> BAND SELECTOR**  
 1) AM 2) FM MONO 3) FM AUTO  
 4) MPX NOISE FILTER  
**S<sub>2</sub> FM MUTING SWITCH**  
**S<sub>3</sub> POWER SWITCH**
- POTENTIOMETERS**  
 VR<sub>1</sub> AM OUTPUT LEVEL CONTROL  
 VR<sub>2</sub> FM OUTPUT LEVEL CONTROL
- CAPACITORS**  
 NON MARK: μF  
 P : μμF
- RESISTORS**  
 NON MARK: OHM  
 K : KILOHM  
 M : MEGOHM





AF UNIT

POWER SUPPLY UNIT



## AM/FM STEREO TUNER TX-900

ROUND LABEL UNIT	FV	KC	KL			
FM FRONT END	W11-033	W11-033	W11-033			
FM IF UNIT	W12-034	W12-034	W12-034			
MPX UNIT	AWD-001	W13-025	W13-025			
AM TUNER UNIT	W14-011	W14-011	W14-011			
MUTING UNIT						
AF UNIT	W15-067	W15-067	W15-067			
CONTROL AMP UNIT						
MAIN AMP UNIT						
POWER SUPPLY UNIT	W16-020	W16-020	W16-020			
SWITCH UNIT	W15-066	W15-066	W15-066			
SWITCH UNIT						
SWITCH UNIT						
TONE COLOR UNIT						
CONTROL UNIT						
MIC AMP UNIT						
REVERBE AMP UNIT						
REVERBE UNIT						
INDICATOR UNIT	W18-010	W18-010	W18-010			



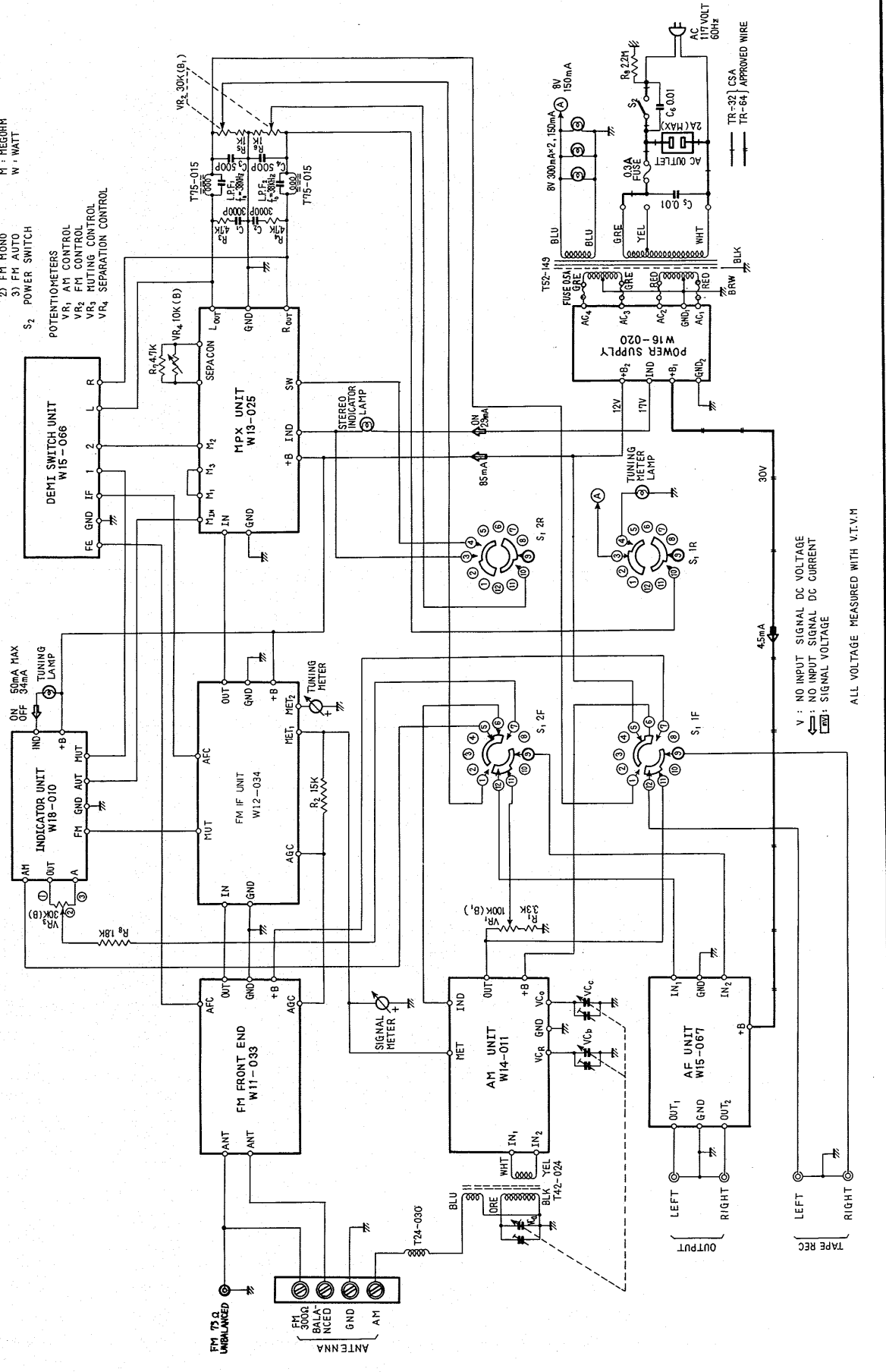




TX-900 for KC, KL model

TX-900

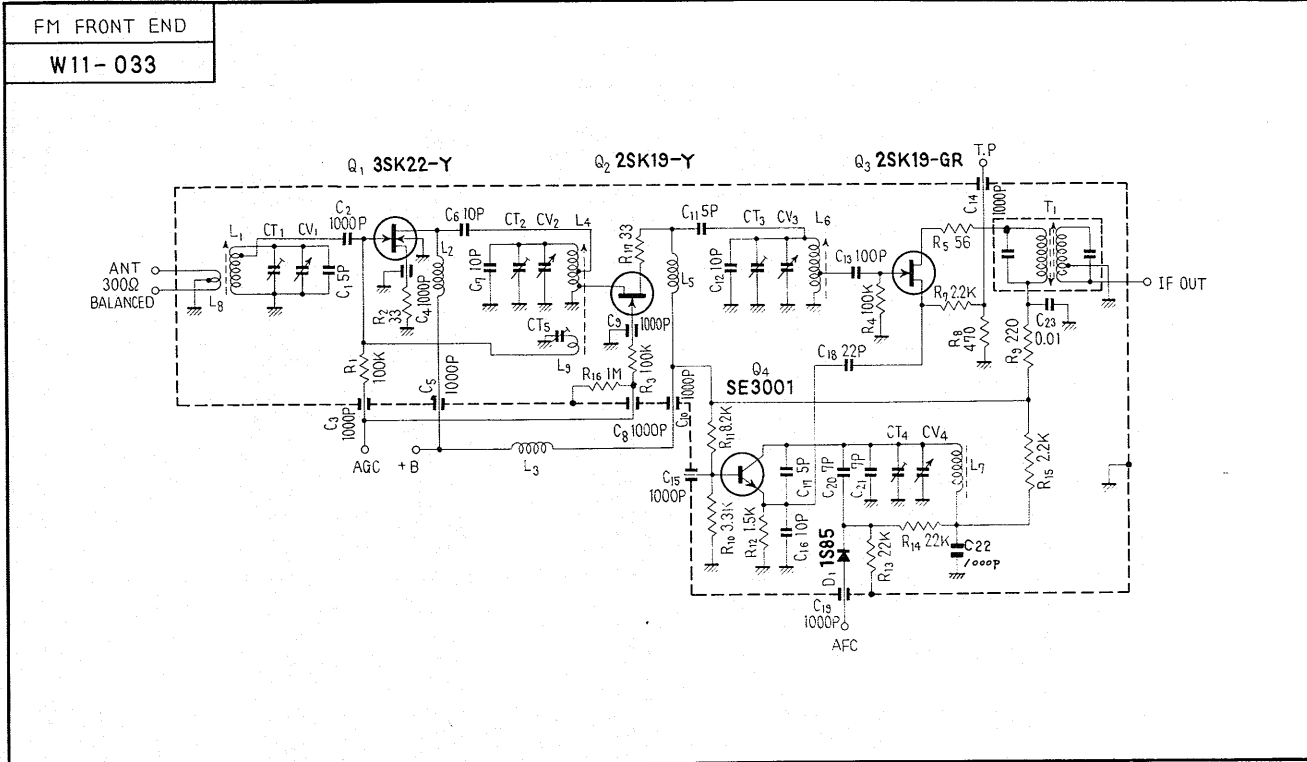
- RESISTORS  
 NON MARK: OHM  
 K: KILOHM  
 M: MEGOHM  
 W: WATT
- CAPACITORS  
 NON MARK:  $\mu$ F  
 P:  $\mu$ MF
- SWITCHES  
 S<sub>1</sub> SELECTOR  
 1) AM  
 2) FM MONO  
 3) FM AUTO  
 S<sub>2</sub> POWER SWITCH
- POTENTIOMETERS  
 VR<sub>1</sub> AM CONTROL  
 VR<sub>2</sub> FM CONTROL  
 VR<sub>3</sub> MUTING CONTROL  
 VR<sub>4</sub> SEPARATION CONTROL



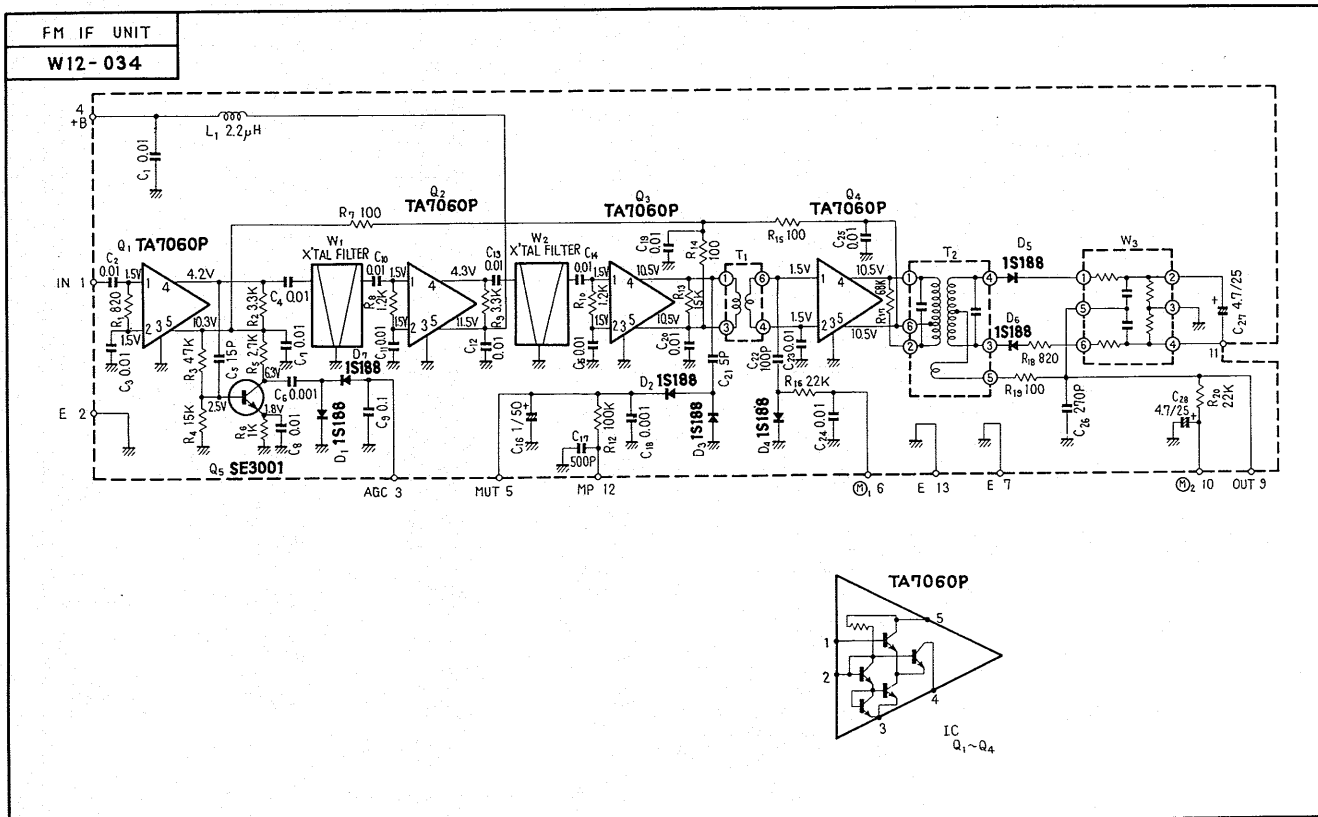
V : NO INPUT SIGNAL DC VOLTAGE  
 I : NO INPUT SIGNAL DC CURRENT  
 I : SIGNAL VOLTAGE

ALL VOLTAGE MEASURED WITH V.T.V.M

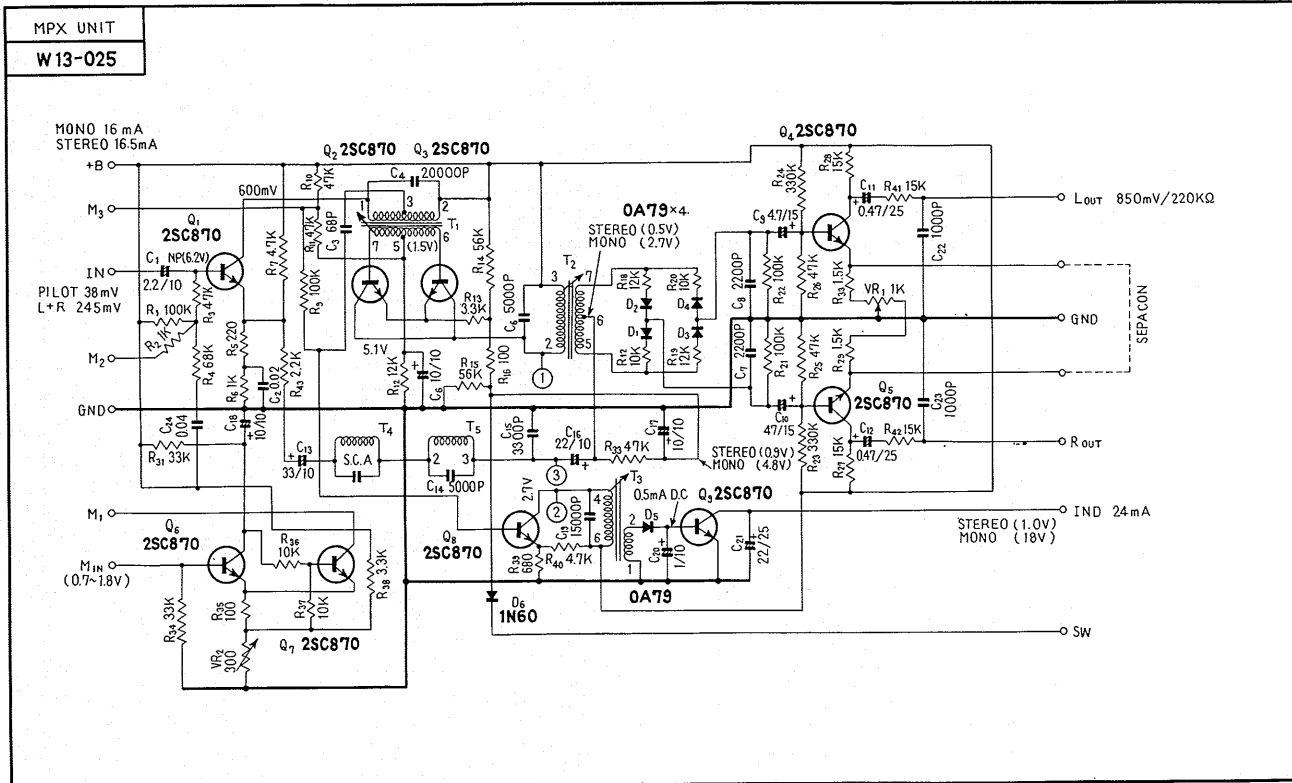
# FM FRONT END



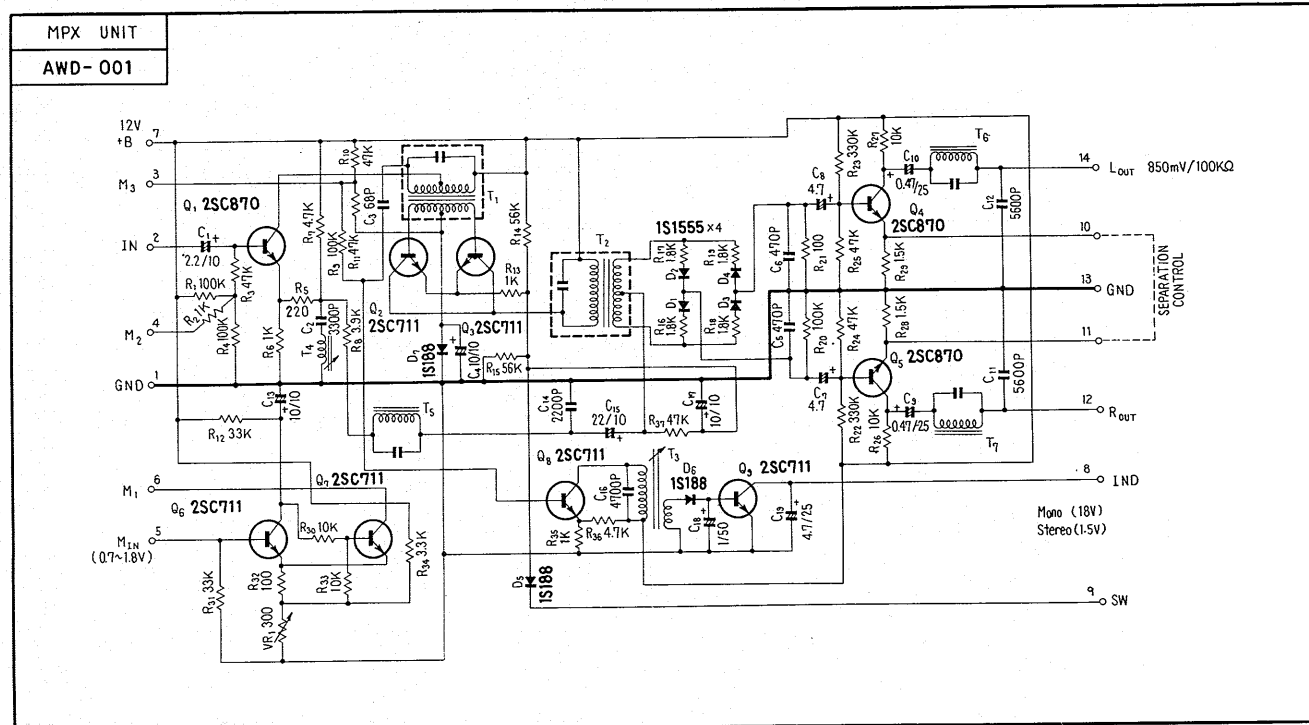
# FM IF UNIT



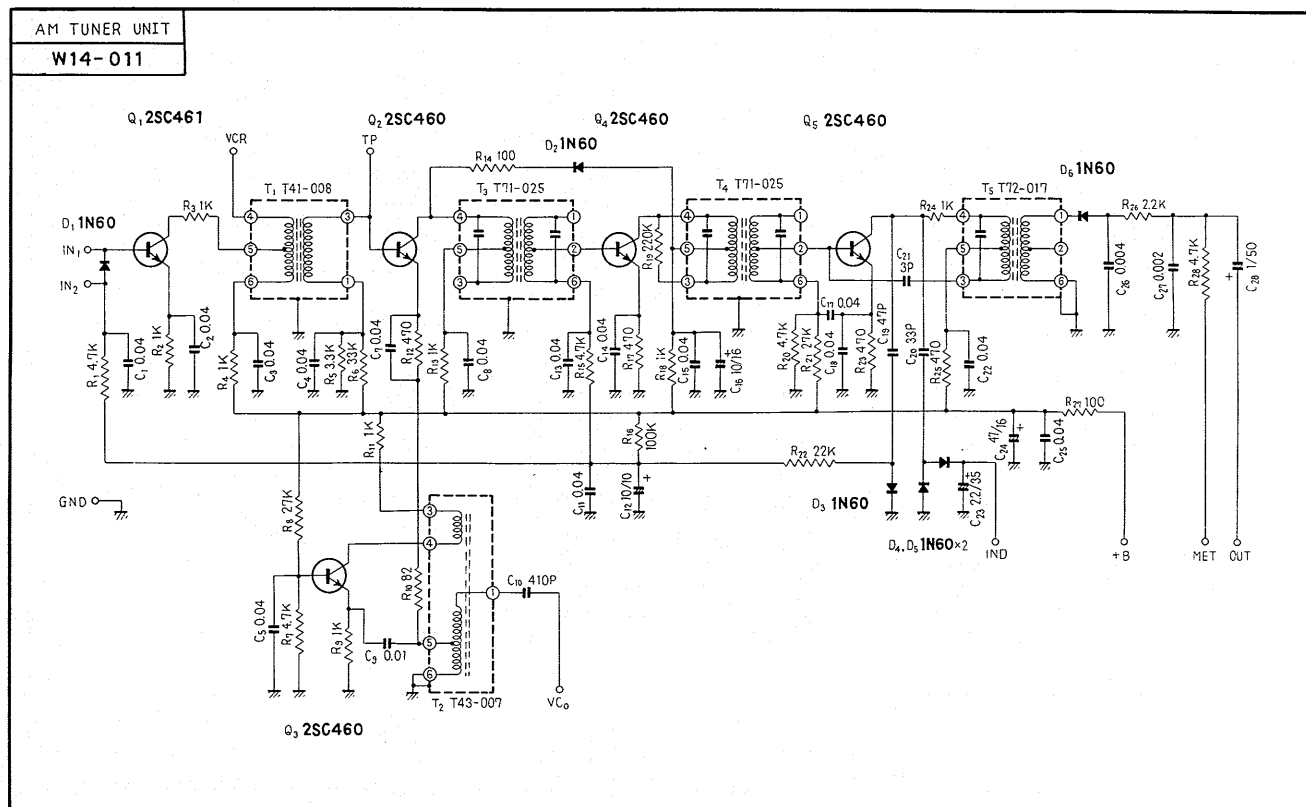
MPX UNIT for FV model



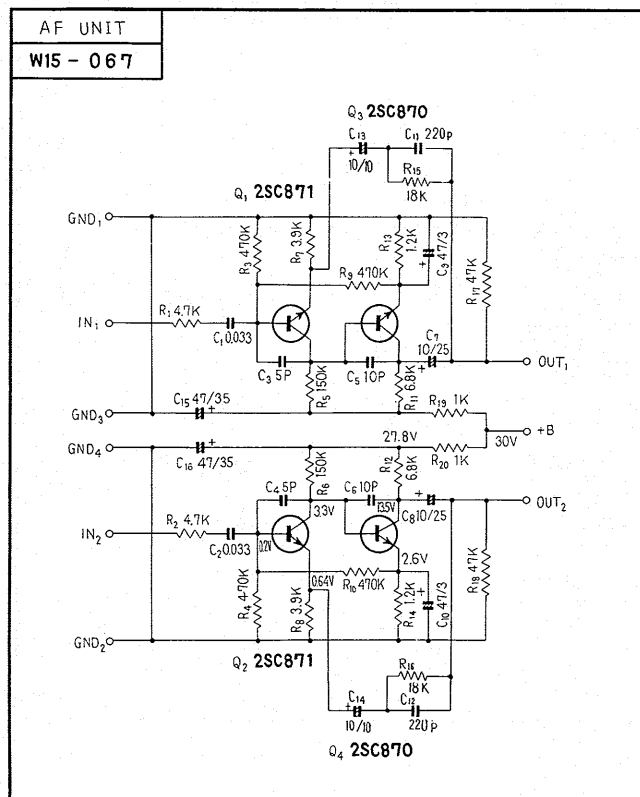
MPX UNIT



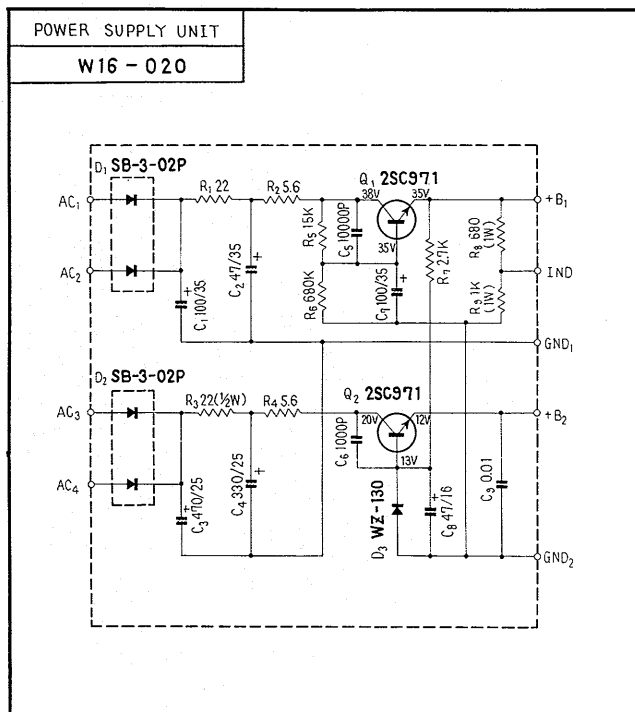
# AM TUNER UNIT



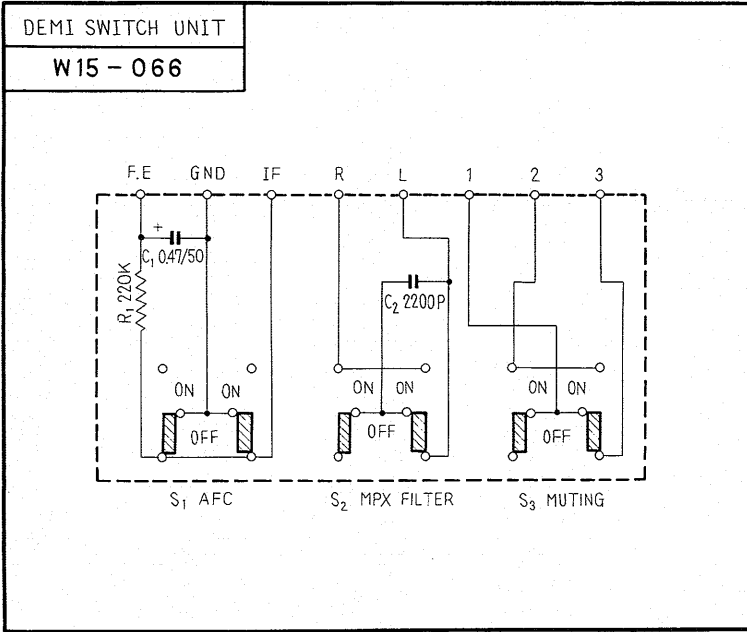
# AF UNIT



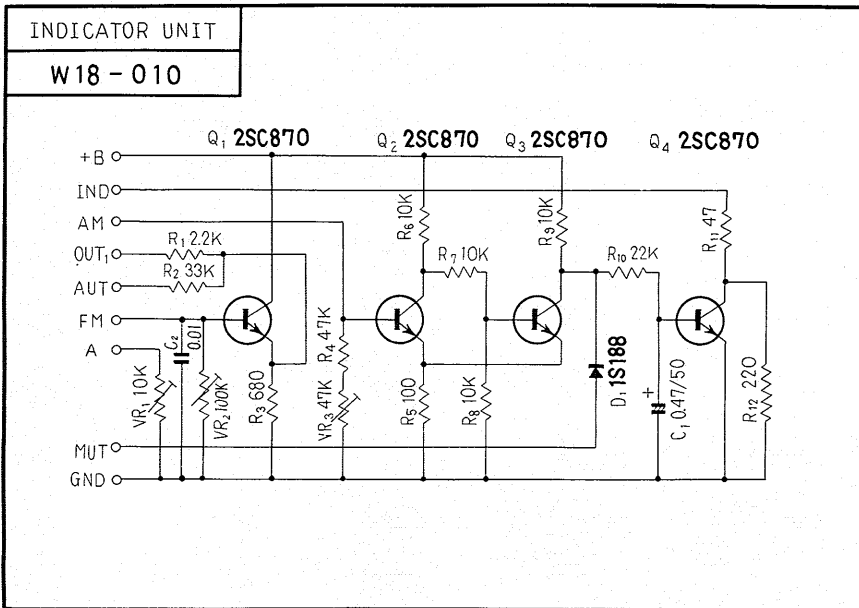
# POWER SUPPLY UNIT



DEMI SWITCH UNIT



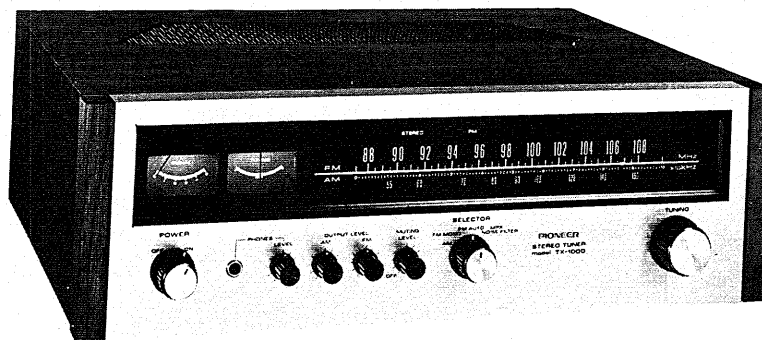
INDICATOR UNIT





## AM/FM STEREO TUNER TX-1000

ROUND LABEL UNIT	FVZW	FW	KUW	KW		
<b>FM FRONT END</b>	AWB-005	W11-043	W11-043	W11-043		
<b>FM IF UNIT</b>	AWC-004	AWC-004	AWC-004	AWC-004		
<b>MPX UNIT</b>	W13-028	W13-028	W13-028	W13-028		
<b>AM TUNER UNIT</b>	W14-016	W14-016	W14-016	W14-016		
<b>MUTING UNIT</b>	AWM-007	AWM-007	AWM-007	AWM-007		
<b>AF UNIT</b>	AWK-002	AWK-002	AWK-002	AWK-002		
<b>HEAD PHONE UNIT</b>	W28-005	W28-005	W28-005	W28-005		
<b>MAIN AMP UNIT</b>						
<b>POWER SUPPLY UNIT</b>	W16-034	W16-034	W16-034	W16-034		
<b>SWITCH UNIT</b>						
<b>SWITCH UNIT</b>						
<b>SWITCH UNIT</b>						
<b>TONE COLOR UNIT</b>						
<b>CONTROL UNIT</b>						
<b>MIC AMP UNIT</b>						
<b>REVERBE AMP UNIT</b>						
<b>REVERBE UNIT</b>						



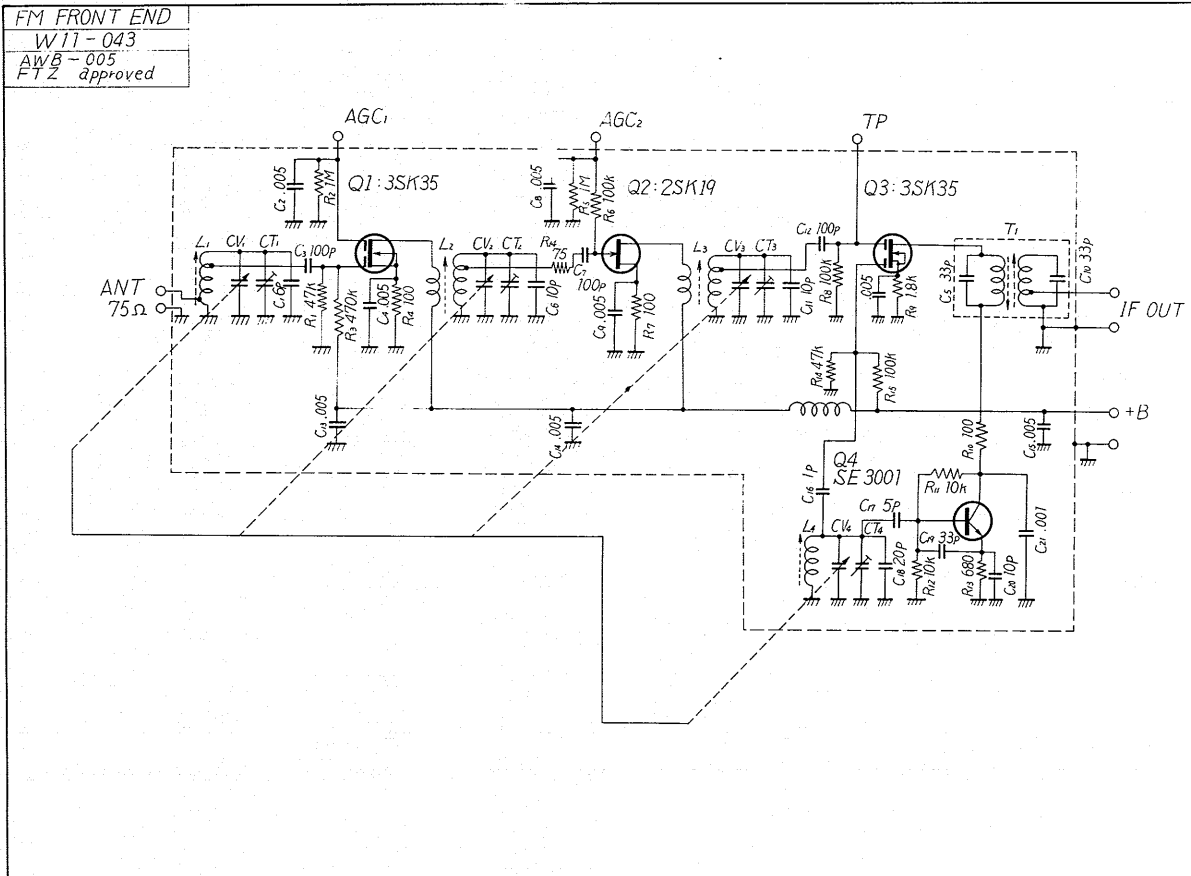




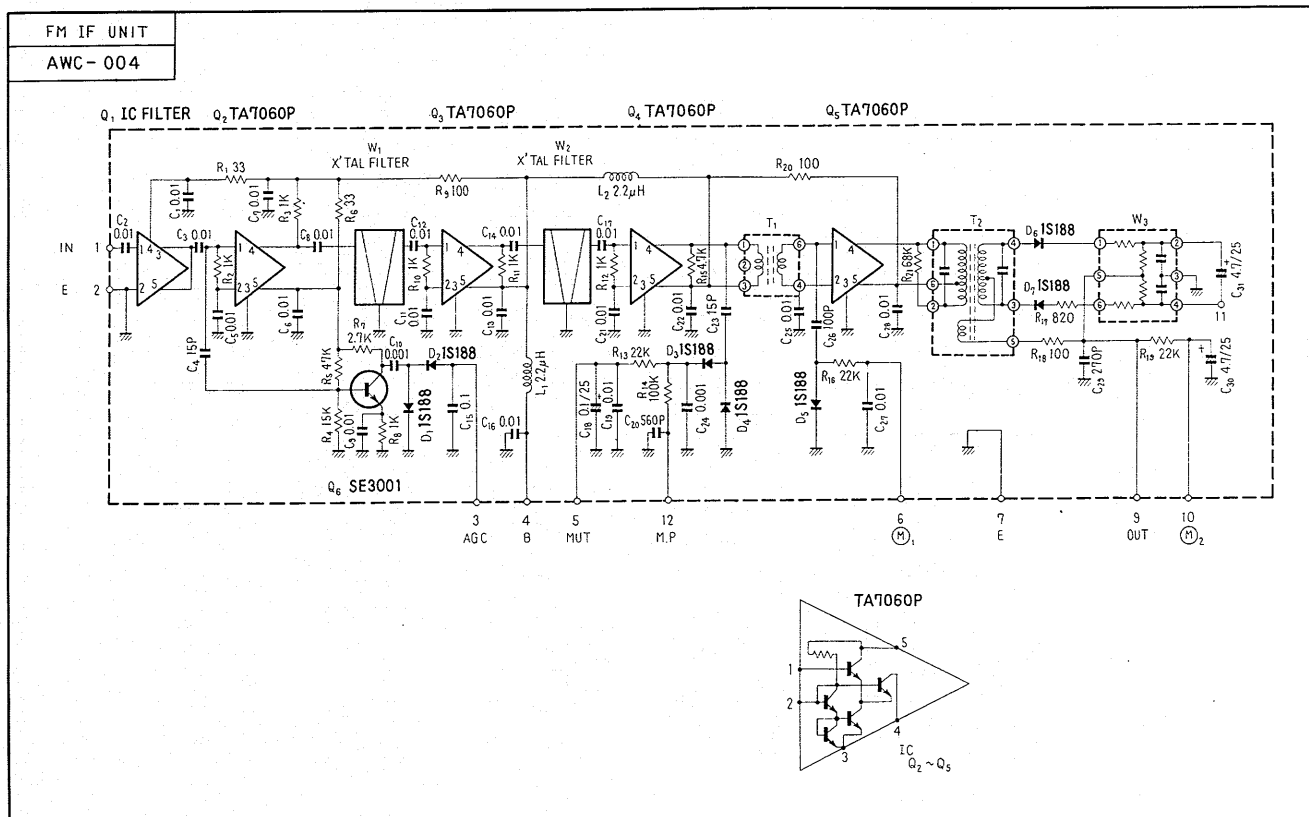




FM FRONT END

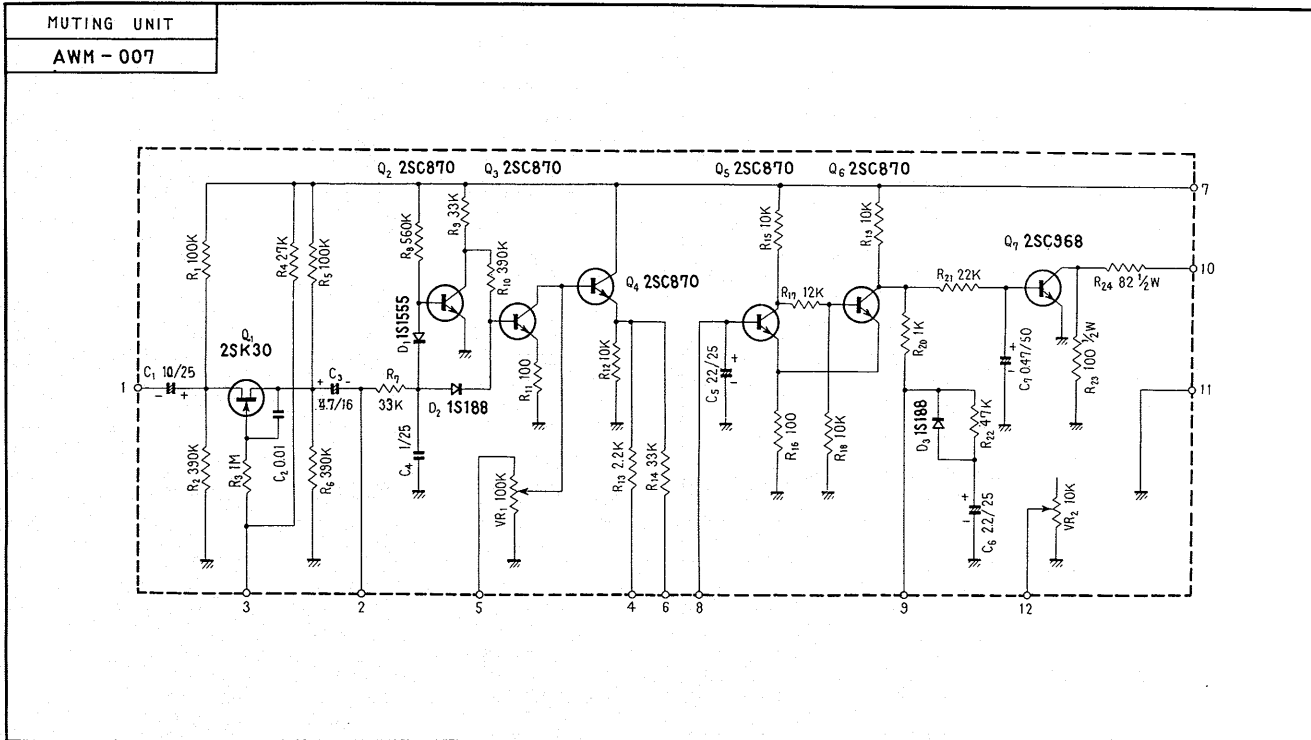


FM IF UNIT

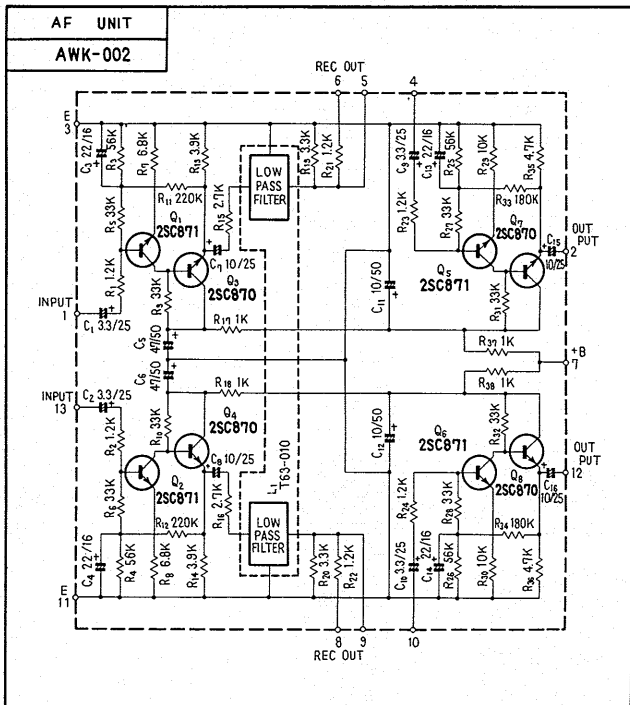




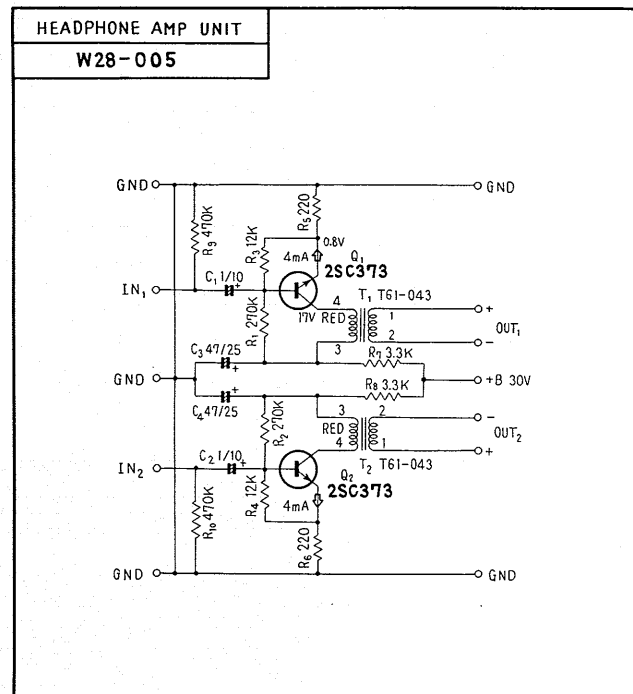
MUTING UNIT



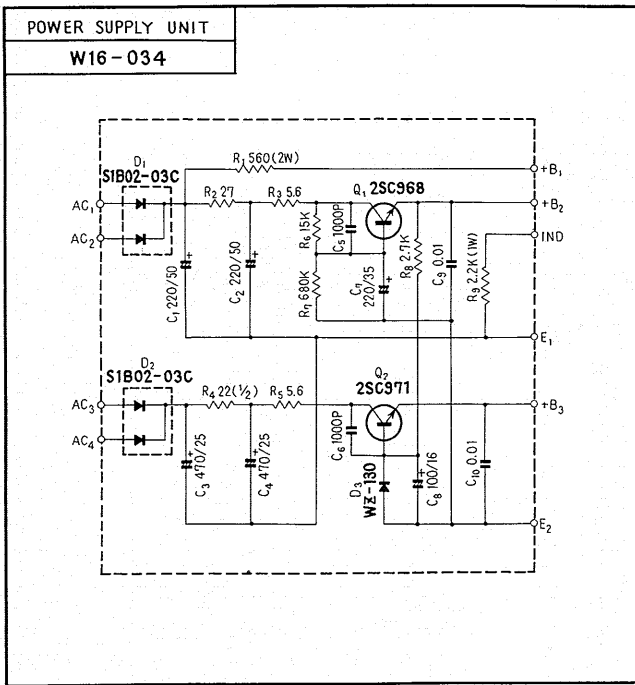
AF UNIT



HEADPHONE UNIT



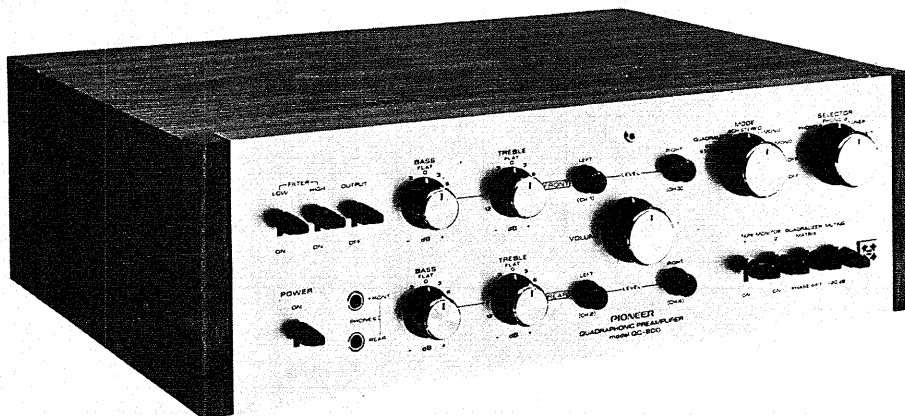
# POWER SUPPLY UNIT

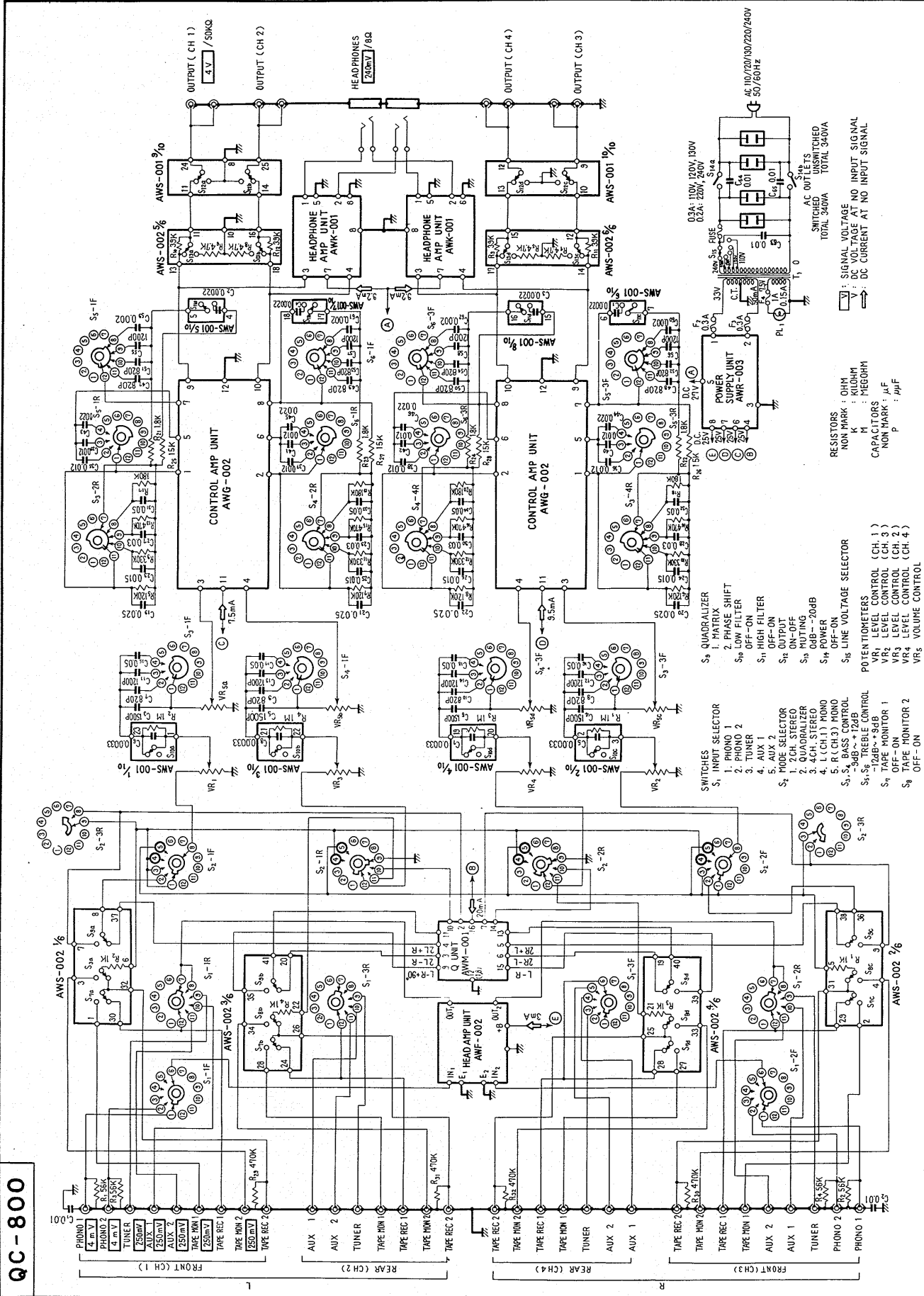


# QUADRAPHONIC PREAMPLIFIER

## QC-800

UNIT	ROUND LABEL	FWW					
FM FRONT END							
FM IF UNIT							
MPX UNIT							
AM TUNER UNIT							
Q UNIT		AWM-001					
HEAD AMP UNIT		AWF-002					
CONTROL AMP UNIT		AWG-002					
MAIN AMP UNIT							
POWER SUPPLY UNIT		AWR-003					
SWITCH UNIT		AWS-001					
SWITCH UNIT		AWS-002					
SWITCH UNIT							
HEAD PHONE UNIT		AWK-001					
CONTROL UNIT							
MIC AMP UNIT							
REVERBE AMP UNIT							
REVERBE UNIT							

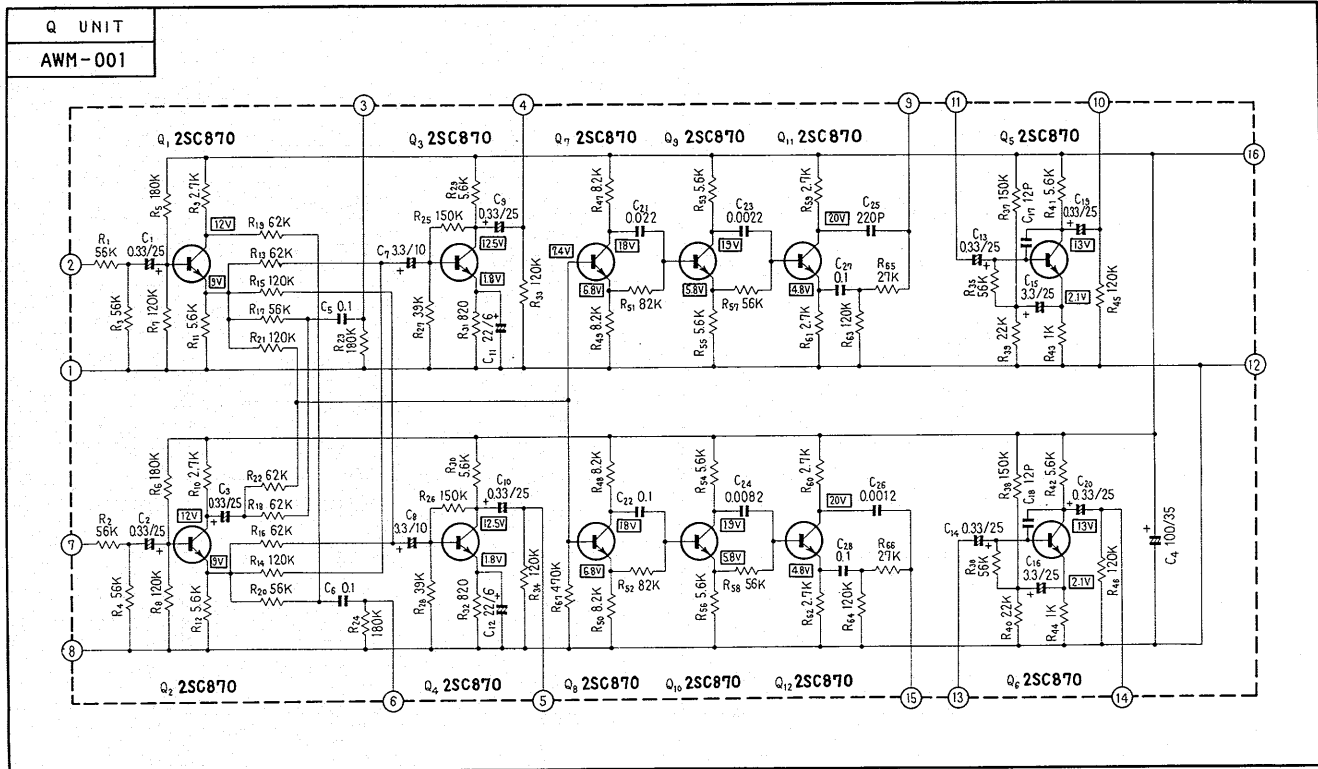




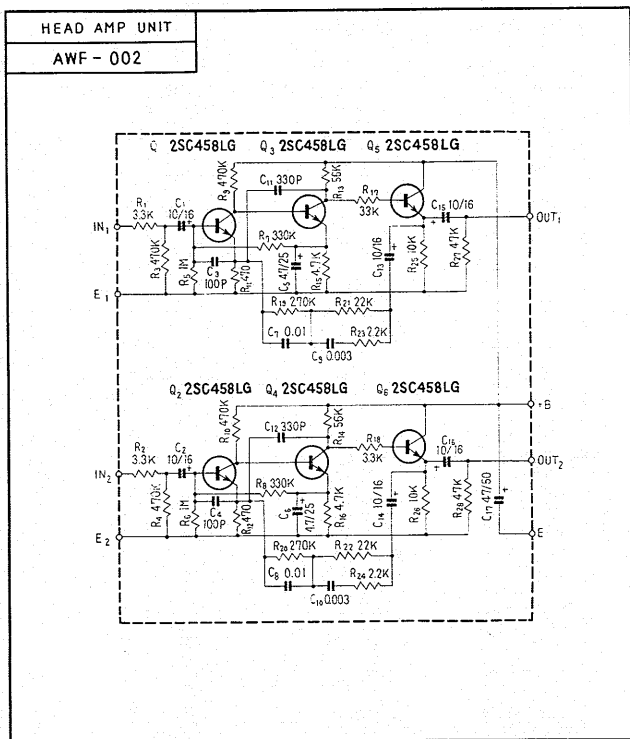
QC-800



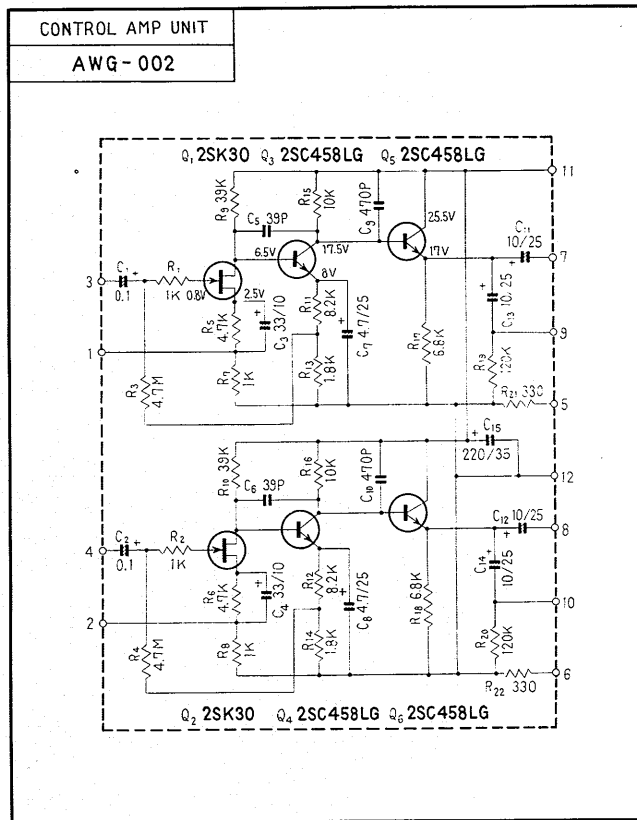
Q UNIT



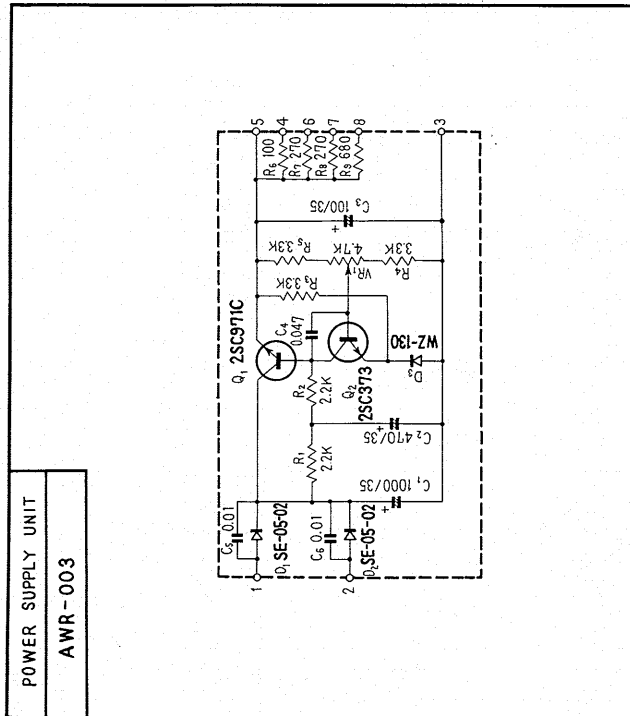
HEAD AMP UNIT



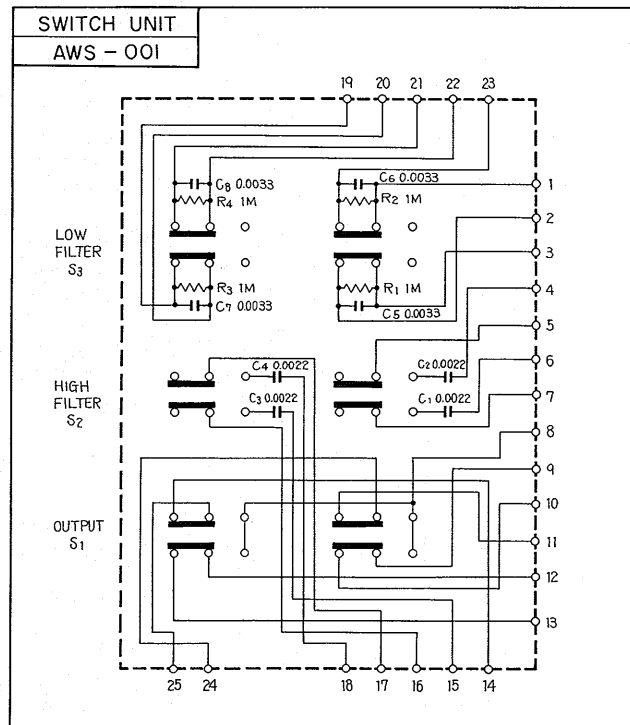
CONTROL AMP UNIT



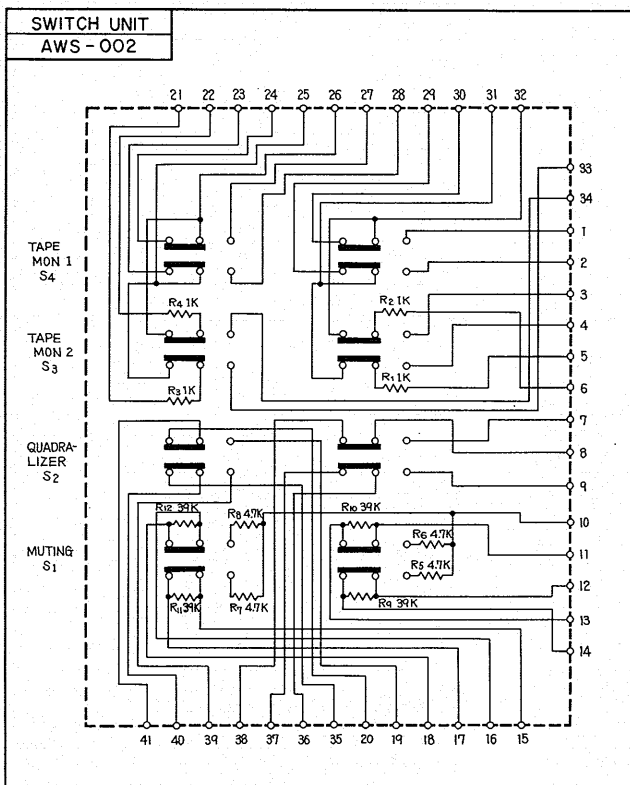
### POWER SUPPLY UNIT



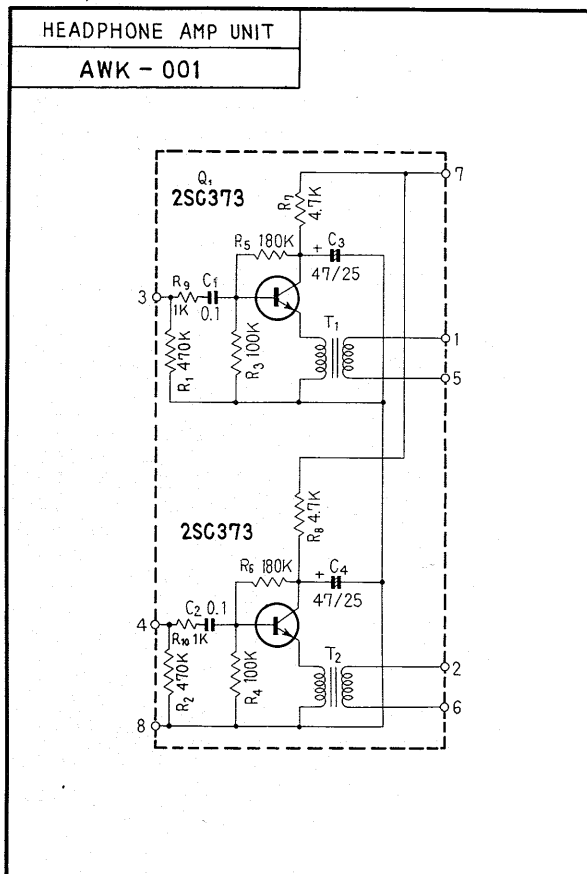
### SWITCH UNIT



### SWITCH UNIT



### HEADPHONE AMP UNIT

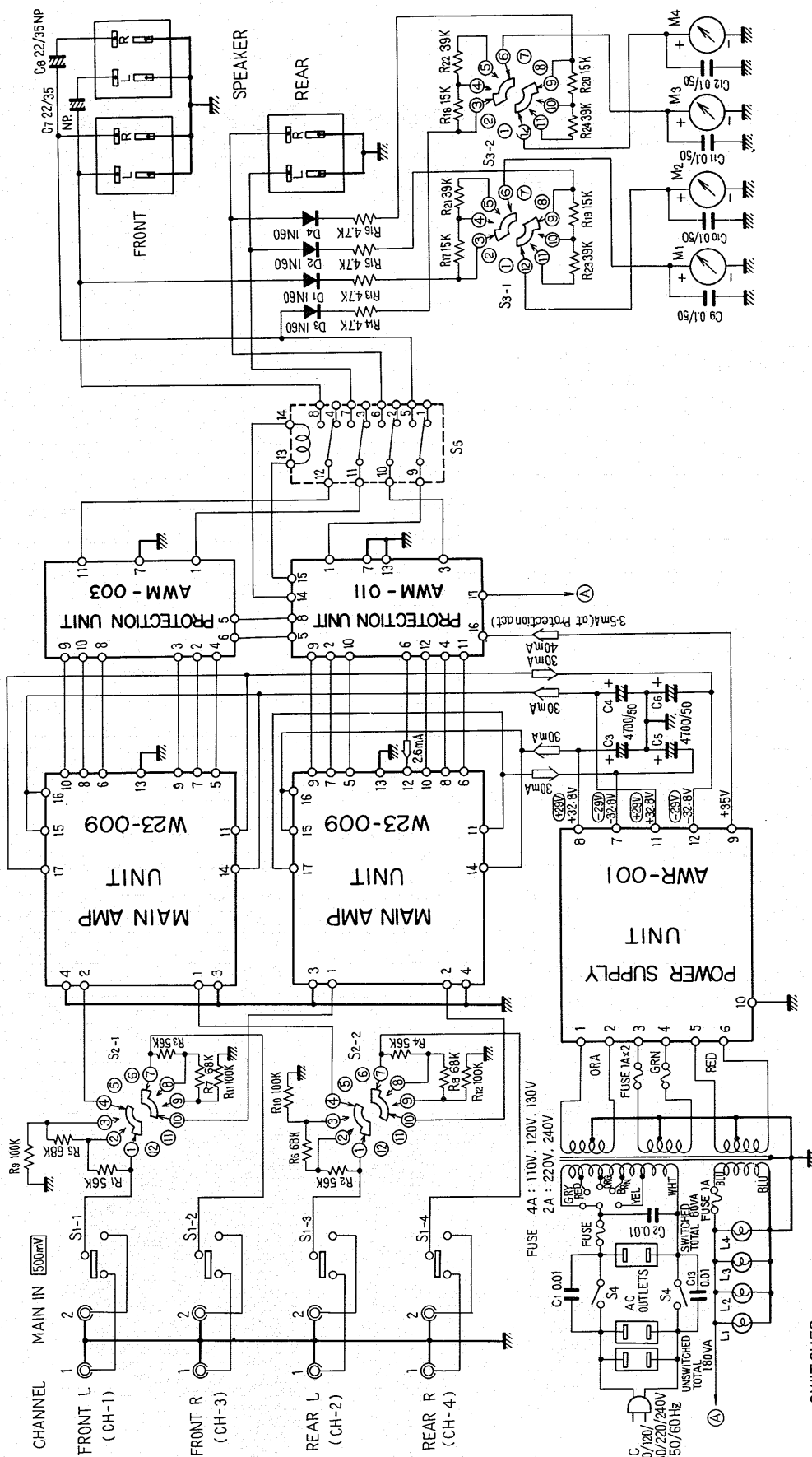


# QUADRAPHONIC POWER AMPLIFIER QM-800

UNIT	ROUND LABEL	FWW					
FM FRONT END							
FM IF UNIT							
MPX UNIT							
AM TUNER UNIT							
MUTING UNIT							
HEAD AMP UNIT							
CONTROL AMP UNIT							
MAIN AMP UNIT		W23-009					
POWER SUPPLY UNIT		AWR-001					
SWITCH UNIT							
SWITCH UNIT							
SWITCH UNIT							
TONE COLOR UNIT							
CONTROL UNIT							
MIC AMP UNIT							
REVERBE AMP UNIT							
PROTECTION UNIT		AWM-003					
PROTECTION UNIT		AWM-011					



**QM - 800**



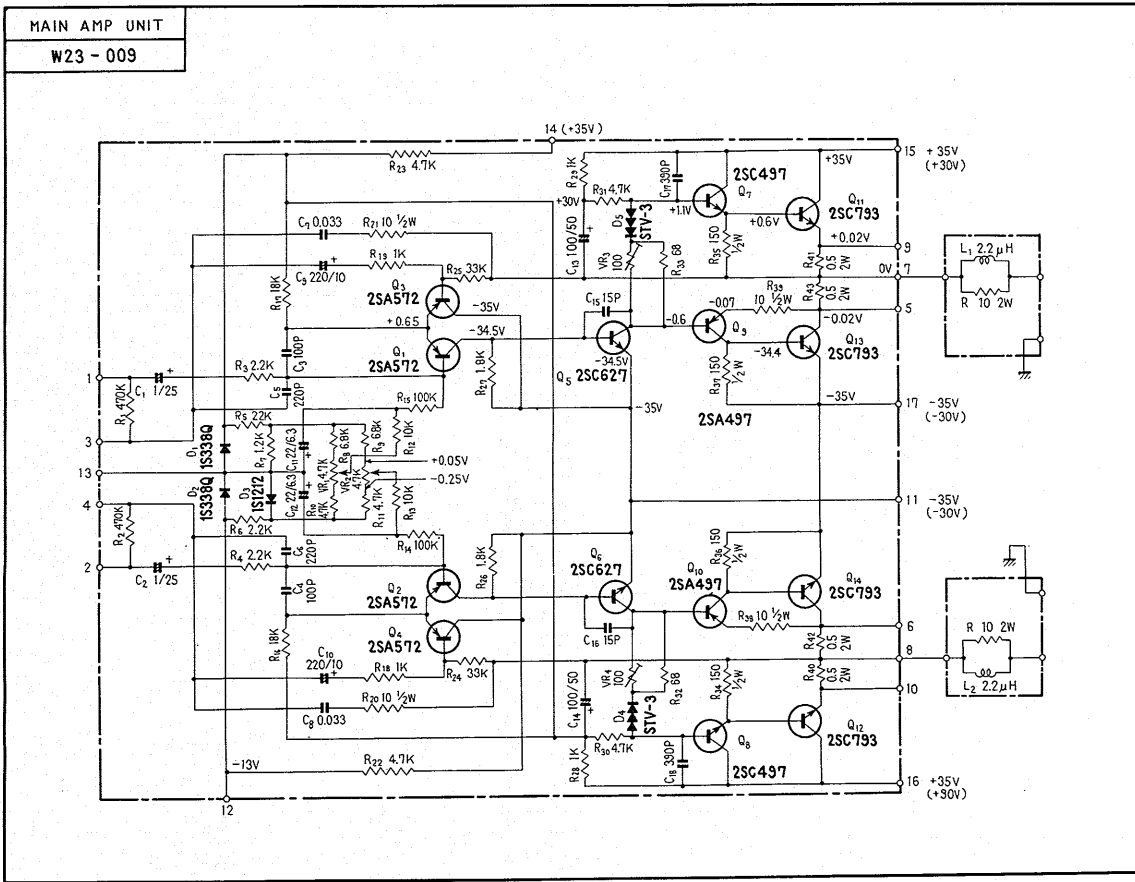
: SIGNAL VOLTAGE AT 35W/8Ω OUTPUT  
 : DC VOLTAGE AT NO INPUT SIGNAL  
 : DC CURRENT AT NO INPUT SIGNAL  
 : DC VOLTAGE AT MAX INPUT SIGNAL

**RESISTORS**  
 NON MARK : OHM  
 K : KILOHM  
 M : MEGOHM  
**CAPACITORS**  
 NON MARK : μF  
 P : μμF

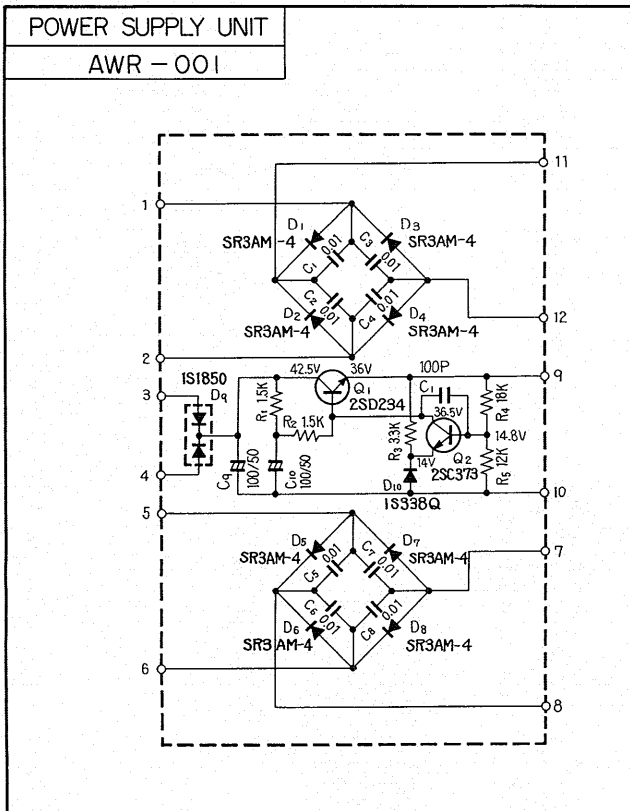
**SWITCHES**  
 S1 INPUT SELECTOR  
 S2 INPUT LEVEL  
 S3 METER LEVEL  
 S4 POWER SW.  
 S5 RELAY

1. 2.  
 (1) - 20 dB  
 (2) - 10 dB  
 (3) 0 dB

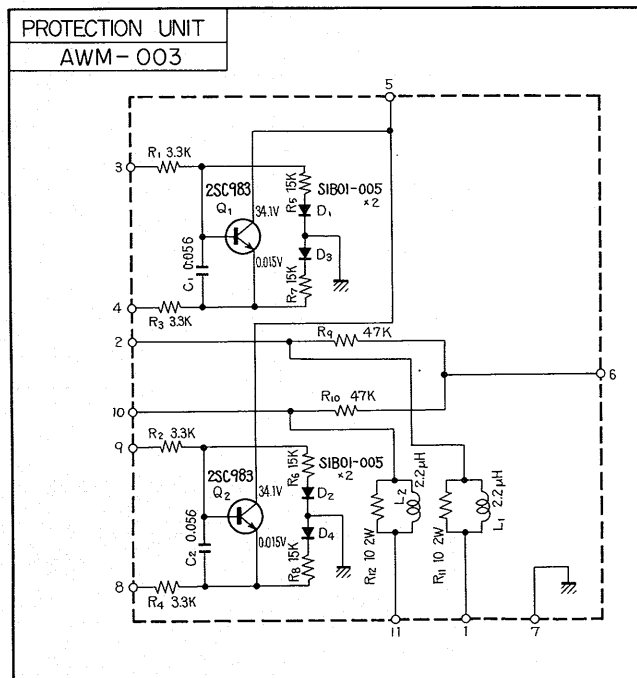
MAIN AMP UNIT



POWER SUPPLY UNIT



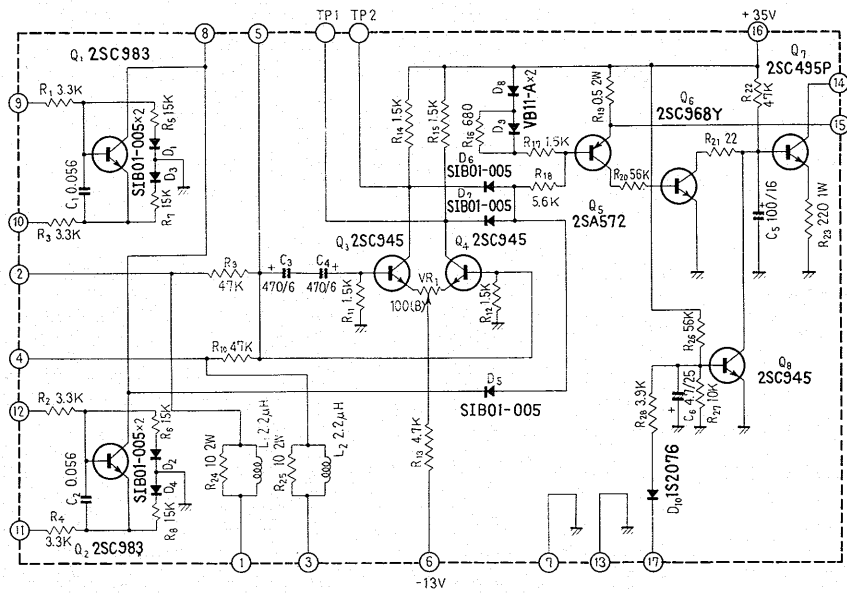
PROTECTION UNIT



# PROTECTION UNIT

PROTECTION UNIT

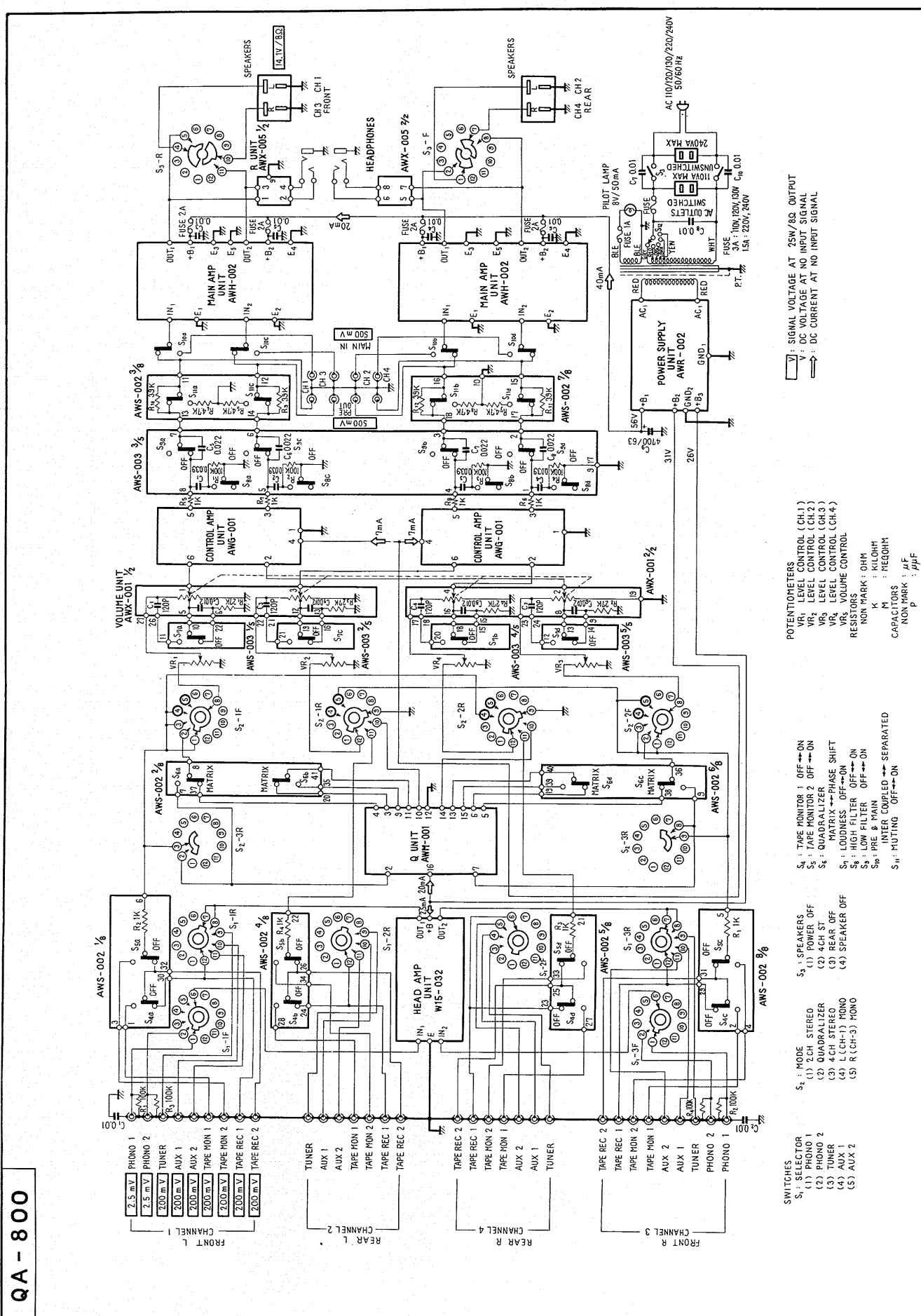
AWM - 011



## QUADRAPHONIC AMPLIFIER QA-800

UNIT	ROUND LABEL	FWW					
FM FRONT END							
FM IF UNIT							
MPX UNIT							
AM TUNER UNIT							
Q UNIT		AWM-001					
HEAD AMP UNIT		W15-032					
CONTROL AMP UNIT		AWG-001					
MAIN AMP UNIT		AWH-002					
POWER SUPPLY UNIT		AWR-002					
SWITCH UNIT		AWS-002					
SWITCH UNIT		AWS-003					
SWITCH UNIT							
VR UNIT		AWX-001					
R UNIT		AWX-005					
MIC AMP UNIT							
REVERBE AMP UNIT							
REVERBE UNIT							



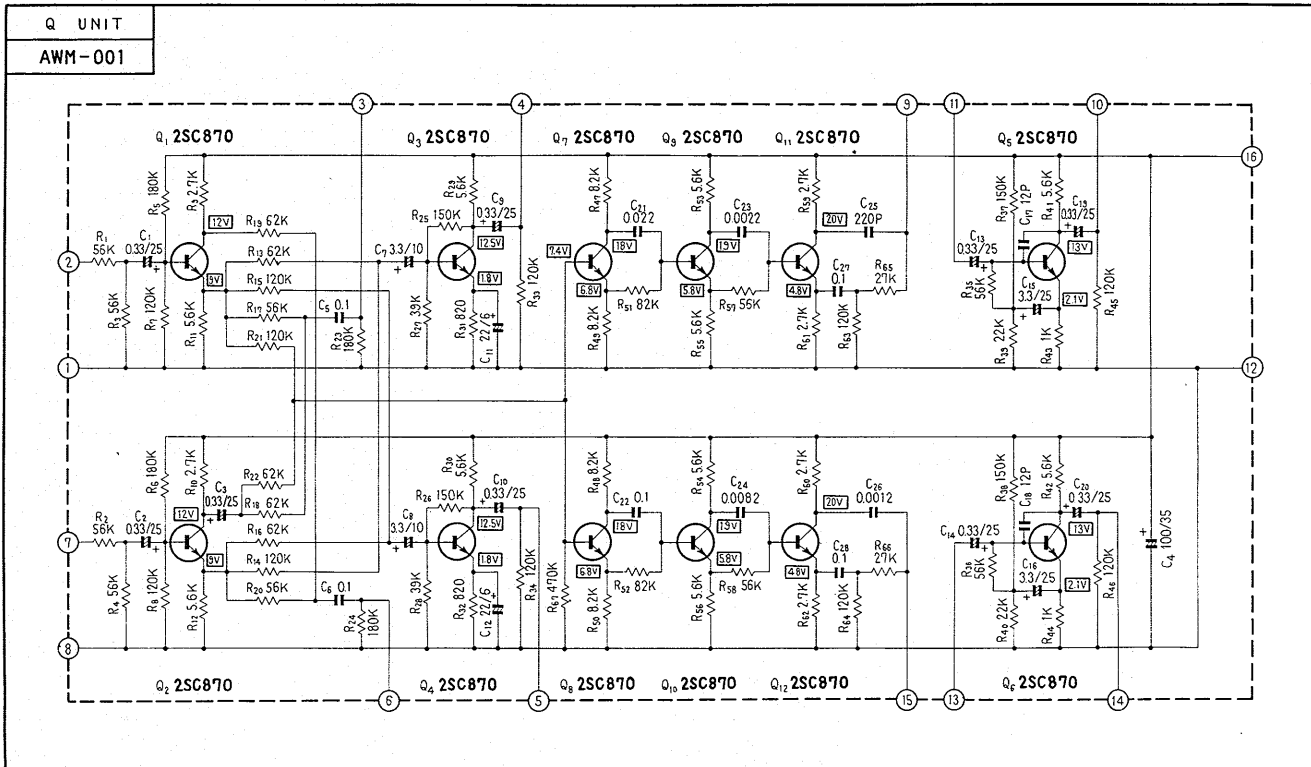


QA - 800

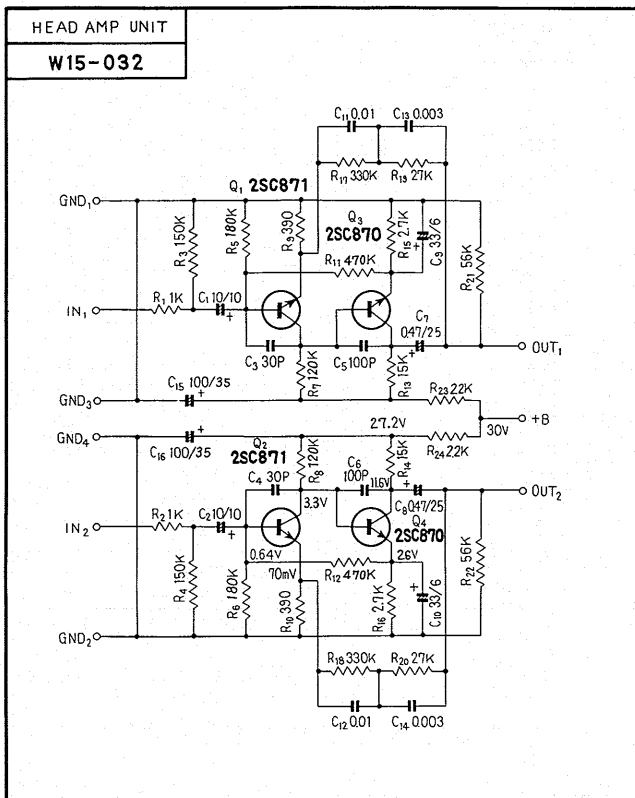
- SWITCHES  
 S<sub>1</sub>: SELECTOR  
 (1) PHONO 1  
 (2) PHONO 2  
 (3) TUNER  
 (4) AUX 1  
 (5) AUX 2
- S<sub>2</sub>: MODE  
 (1) 2 CH STEREO  
 (2) QUADRALIZER  
 (3) 4 CH STEREO  
 (4) L (CH-1) MONO  
 (5) R (CH-3) MONO
- S<sub>3</sub>: SPEAKERS  
 (1) POWER OFF  
 (2) 4 CH ST  
 (3) REAR OFF  
 (4) SPEAKER OFF
- S<sub>4</sub>: TAPE MONITOR 2 OFF ↔ ON  
 S<sub>5</sub>: TAPE MONITOR 1 OFF ↔ ON  
 S<sub>6</sub>: QUADRALIZER  
 MATRIX ↔ PHASE SHIFT  
 S<sub>7</sub>: LOUDNESS OFF ↔ ON  
 S<sub>8</sub>: HIGH FILTER OFF ↔ ON  
 S<sub>9</sub>: LOW FILTER OFF ↔ ON  
 S<sub>10</sub>: PRE & MAIN  
 INTER COUPLED ↔ SEPARATED  
 S<sub>11</sub>: MUTING OFF ↔ ON
- POTENTIOMETERS  
 VR<sub>1</sub>: LEVEL CONTROL (CH 1)  
 VR<sub>2</sub>: LEVEL CONTROL (CH 2)  
 VR<sub>3</sub>: LEVEL CONTROL (CH 3)  
 VR<sub>4</sub>: LEVEL CONTROL (CH 4)  
 VR<sub>5</sub>: VOLUME CONTROL
- RESISTORS  
 K : KILOHM  
 M : MEGOHM  
 P : PICOHM
- CAPACITORS  
 μF : MICROFARAD  
 pF : PICOFARAD
- : SIGNAL VOLTAGE AT 25W/8Ω OUTPUT  
 ∇ : DC VOLTAGE AT NO INPUT SIGNAL  
 → : DC CURRENT AT NO INPUT SIGNAL



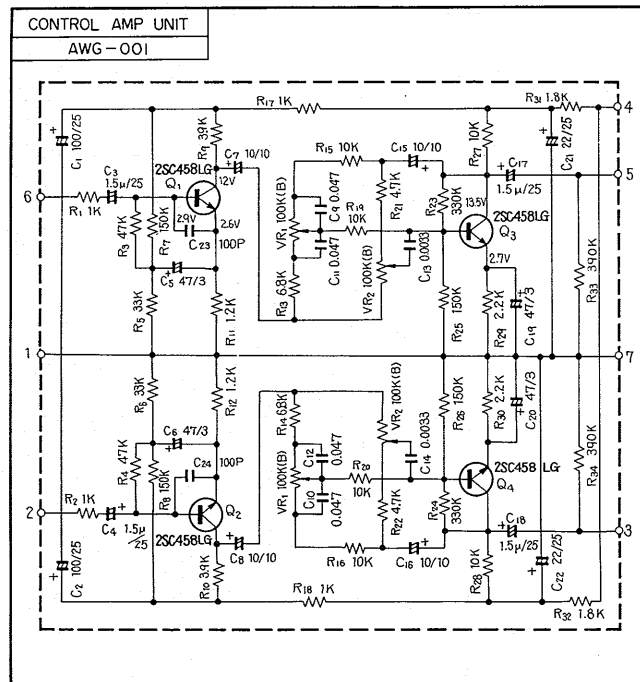
Q UNIT



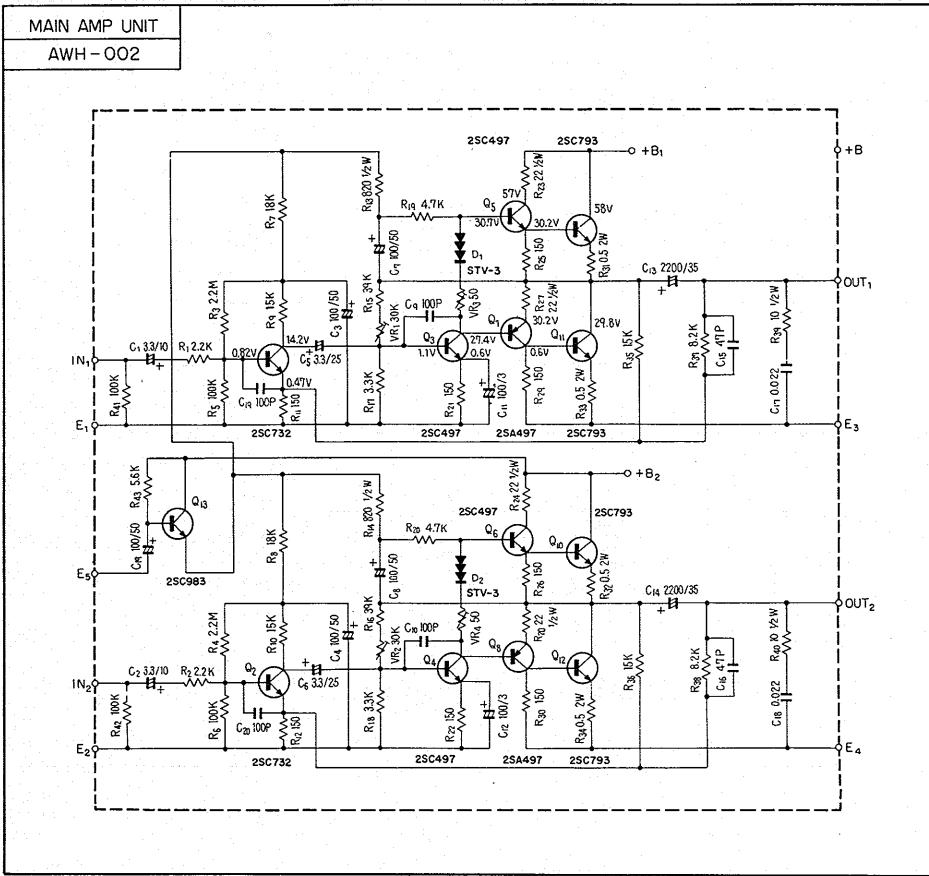
HEAD AMP UNIT



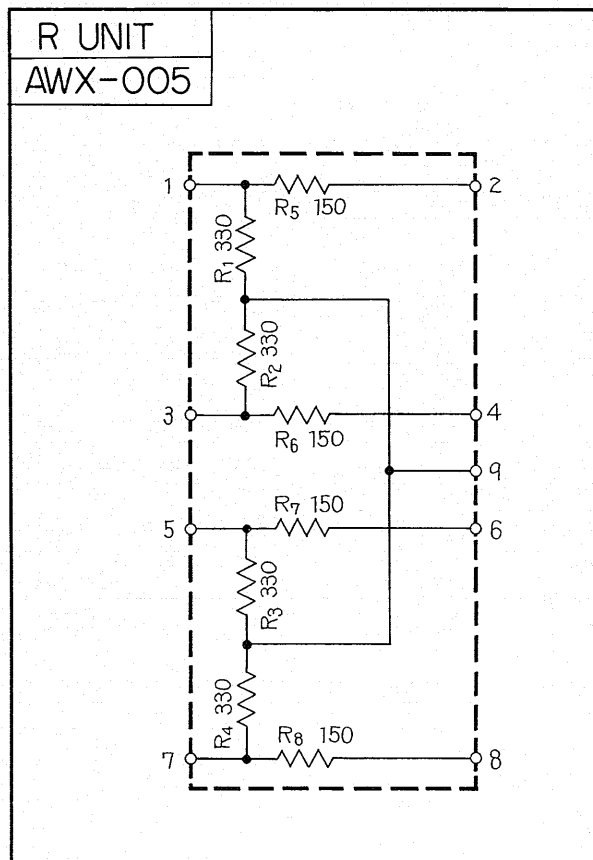
CONTROL AMP UNIT



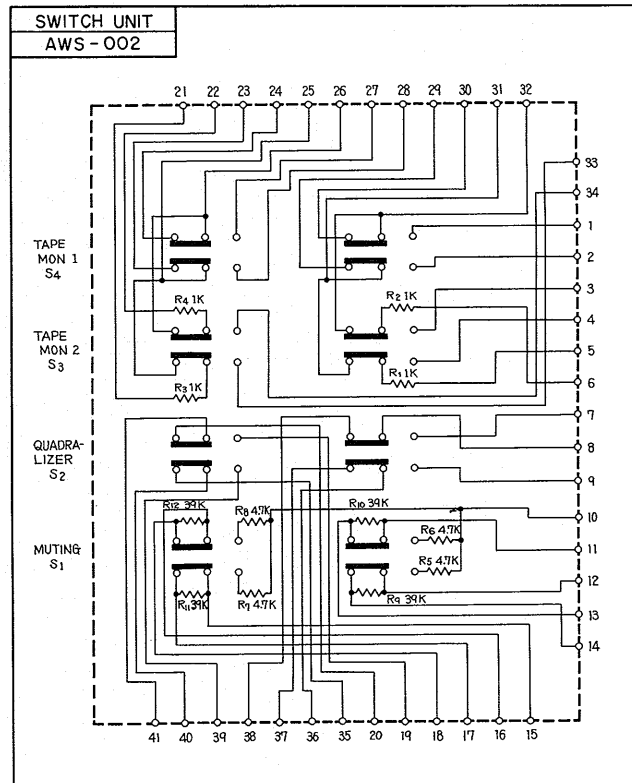
# MAIN AMP UNIT



# R UNIT

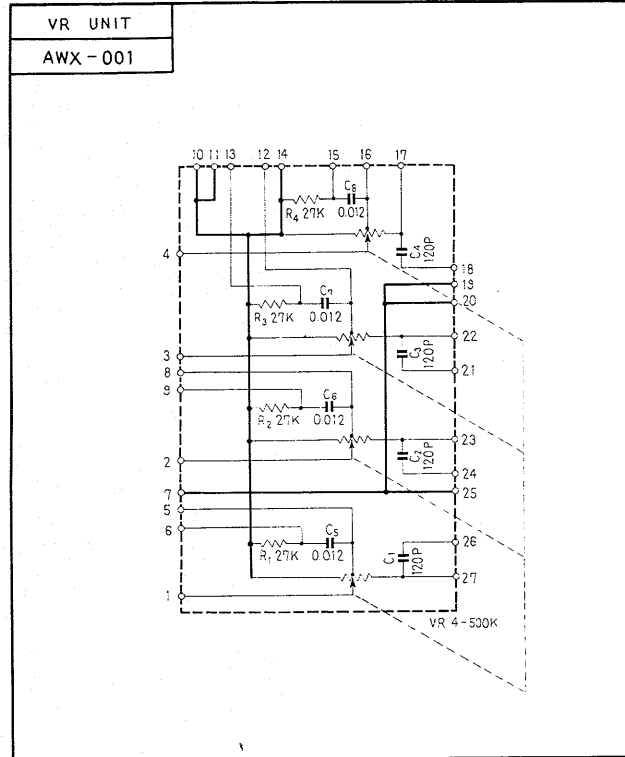
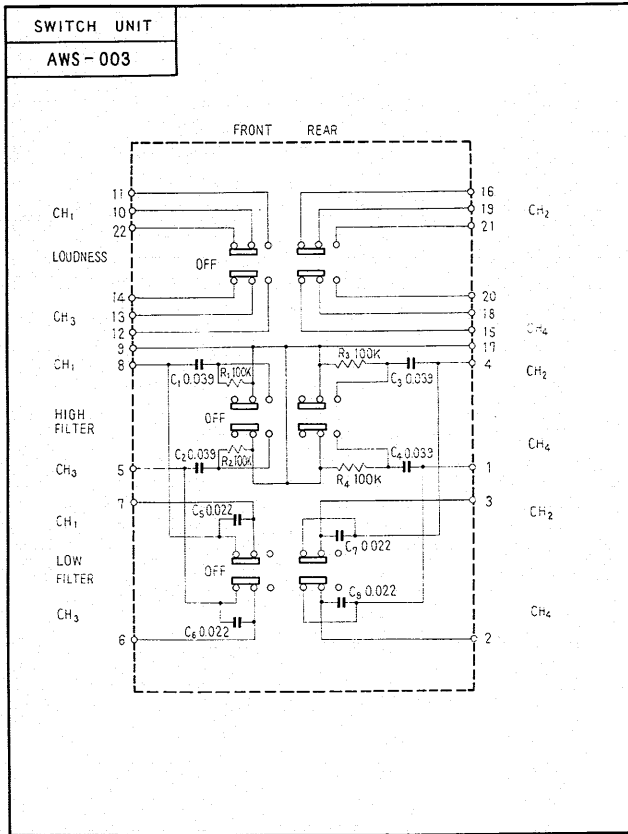


# SWITCH UNIT

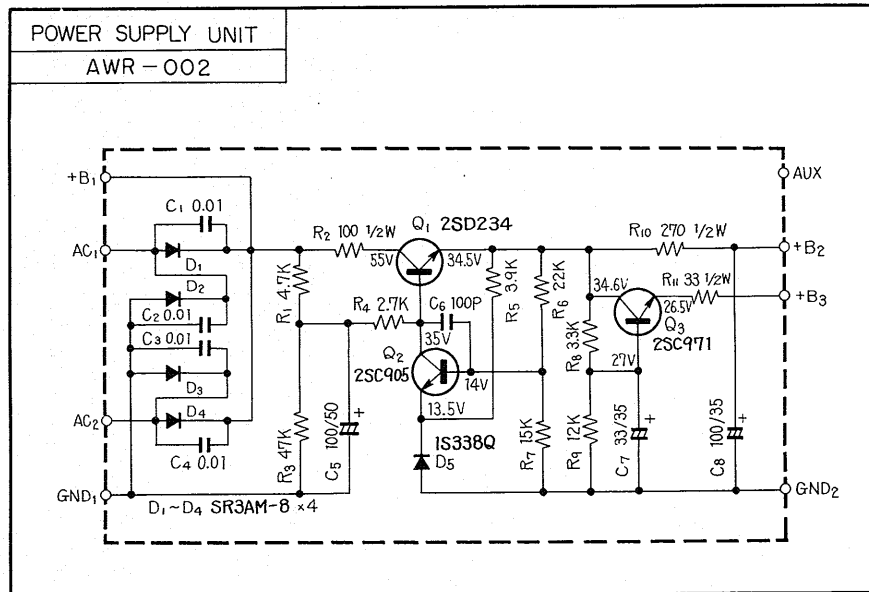


SWITCH UNIT

VR UNIT



POWER SUPPLY UNIT



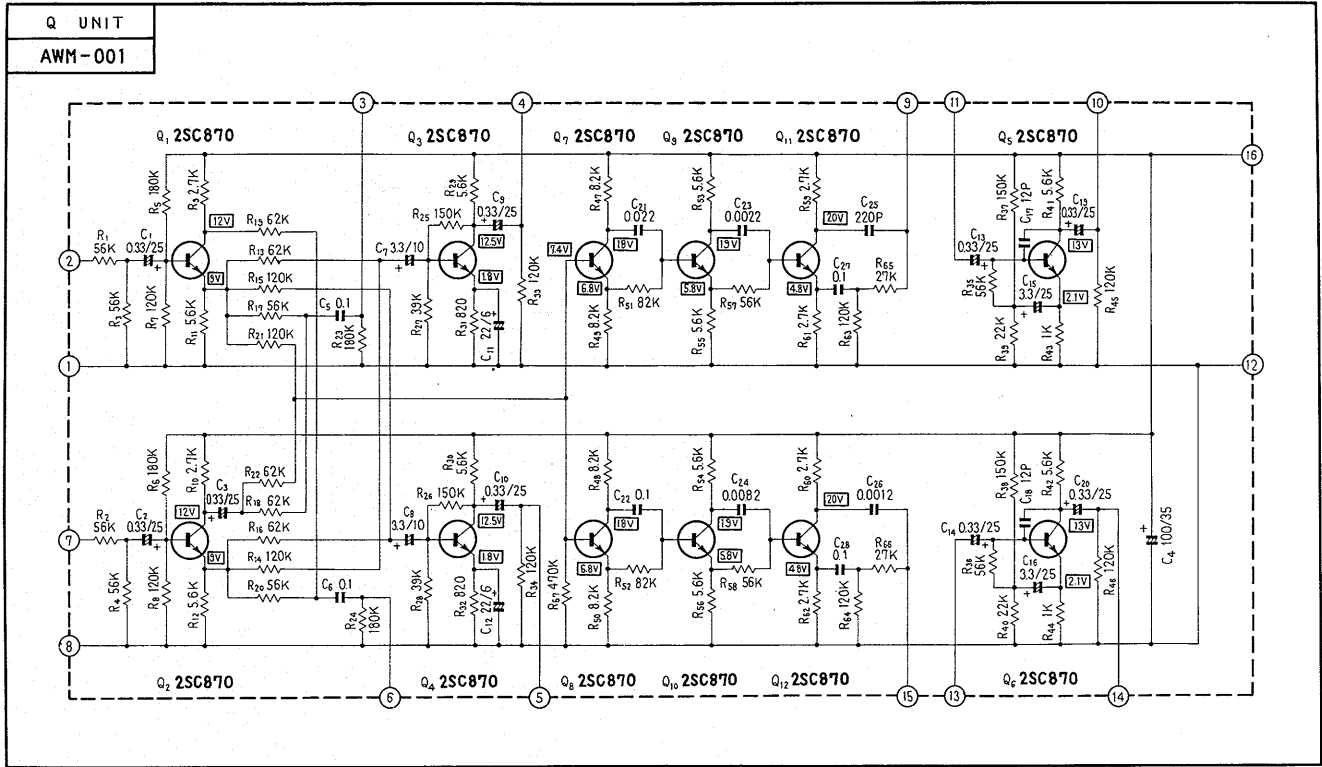
## QUADRALIZER AMPLIFIER QL-600

UNIT \ ROUND LABEL	FW					
FM FRONT END						
FM IF UNIT						
MPX UNIT						
AM TUNER UNIT						
Q UNIT	AWM-001					
HEAD AMP UNIT						
CONTROL AMP UNIT	AWG-009					
MAIN AMP UNIT	AWH-005					
POWER SUPPLY UNIT						
METER AMP UNIT	AWM-012					
SWITCH UNIT						
OUT PUT UNIT	AWM-009					
TONE COLOR UNIT						
CONTROL UNIT						
MIC AMP UNIT						
REVERBE AMP UNIT						
REVERBE UNIT						

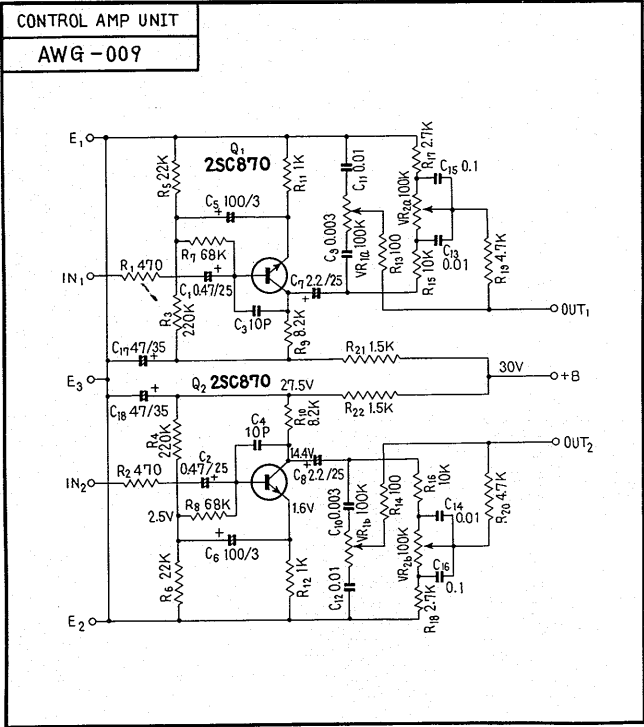




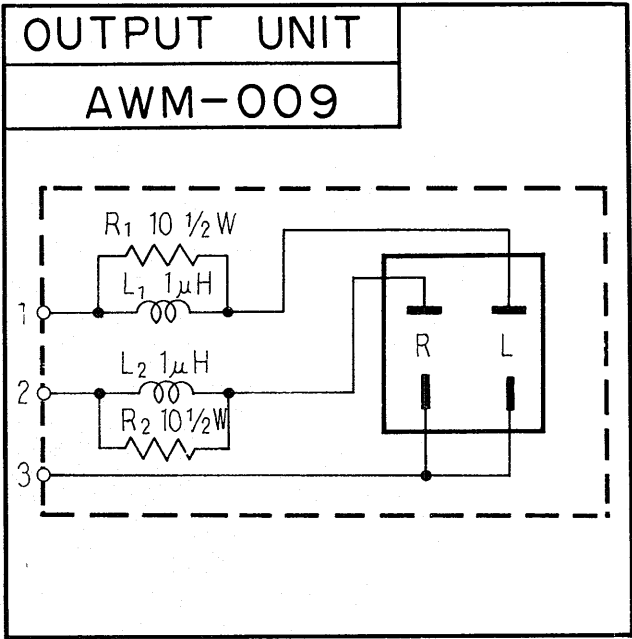
Q UNIT



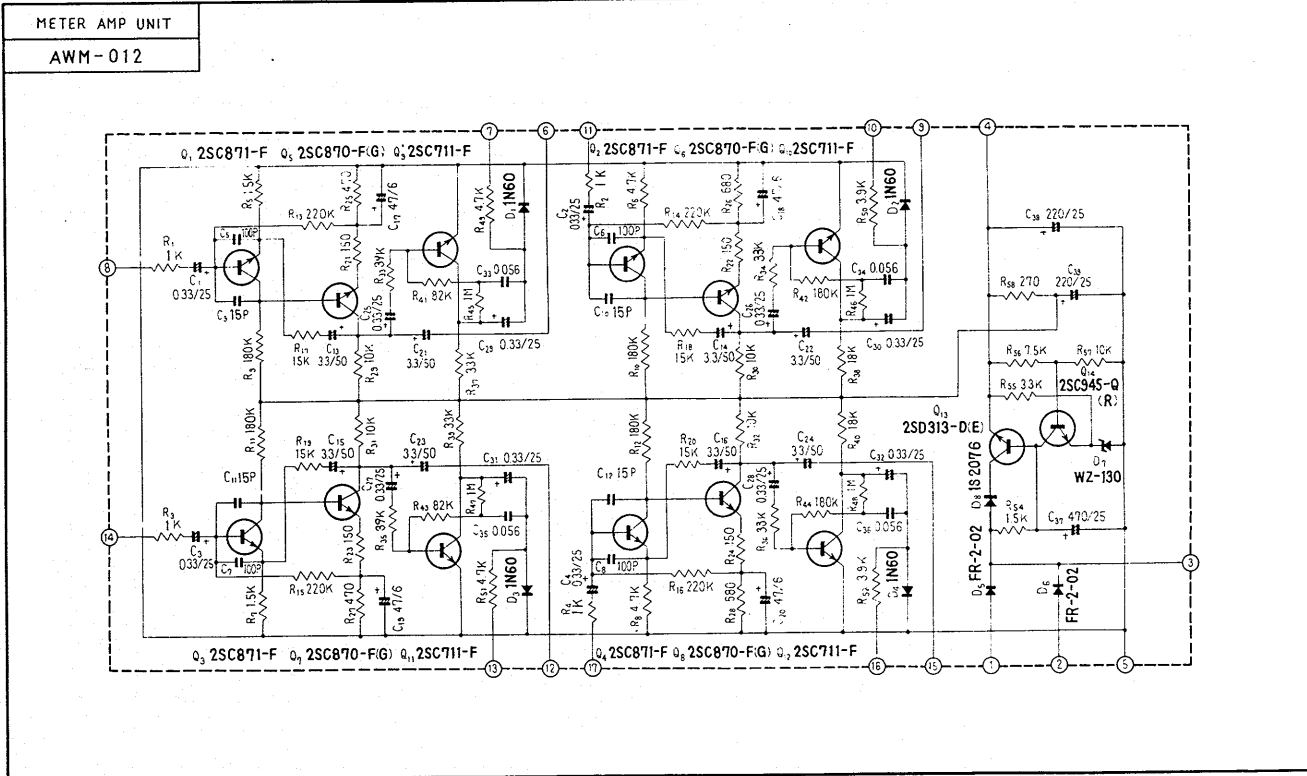
CONTROL AMP UNIT



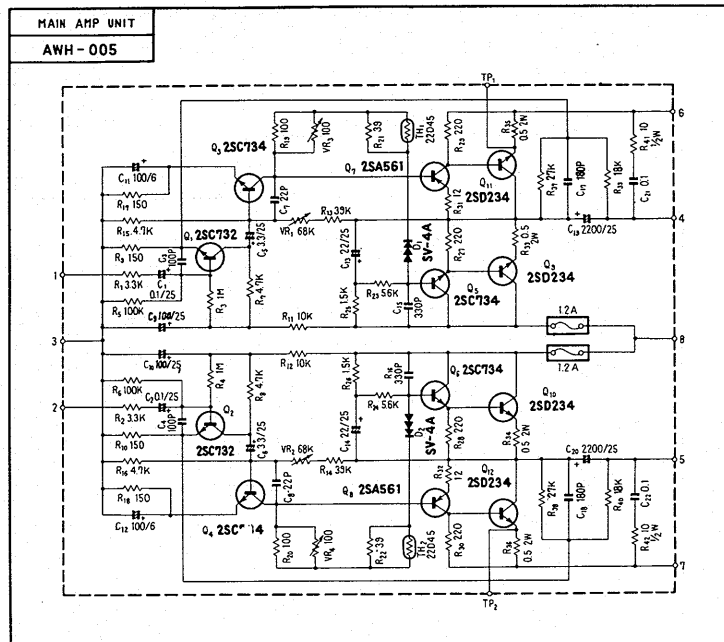
OUTPUT UNIT



# METER AMP UNIT

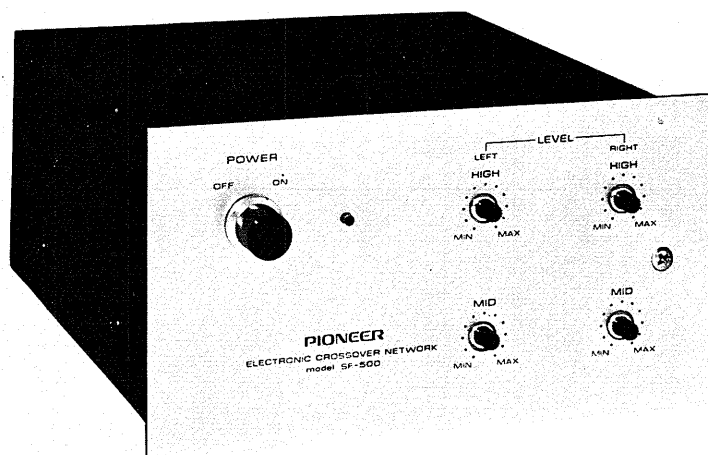


# MAIN AMP UNIT

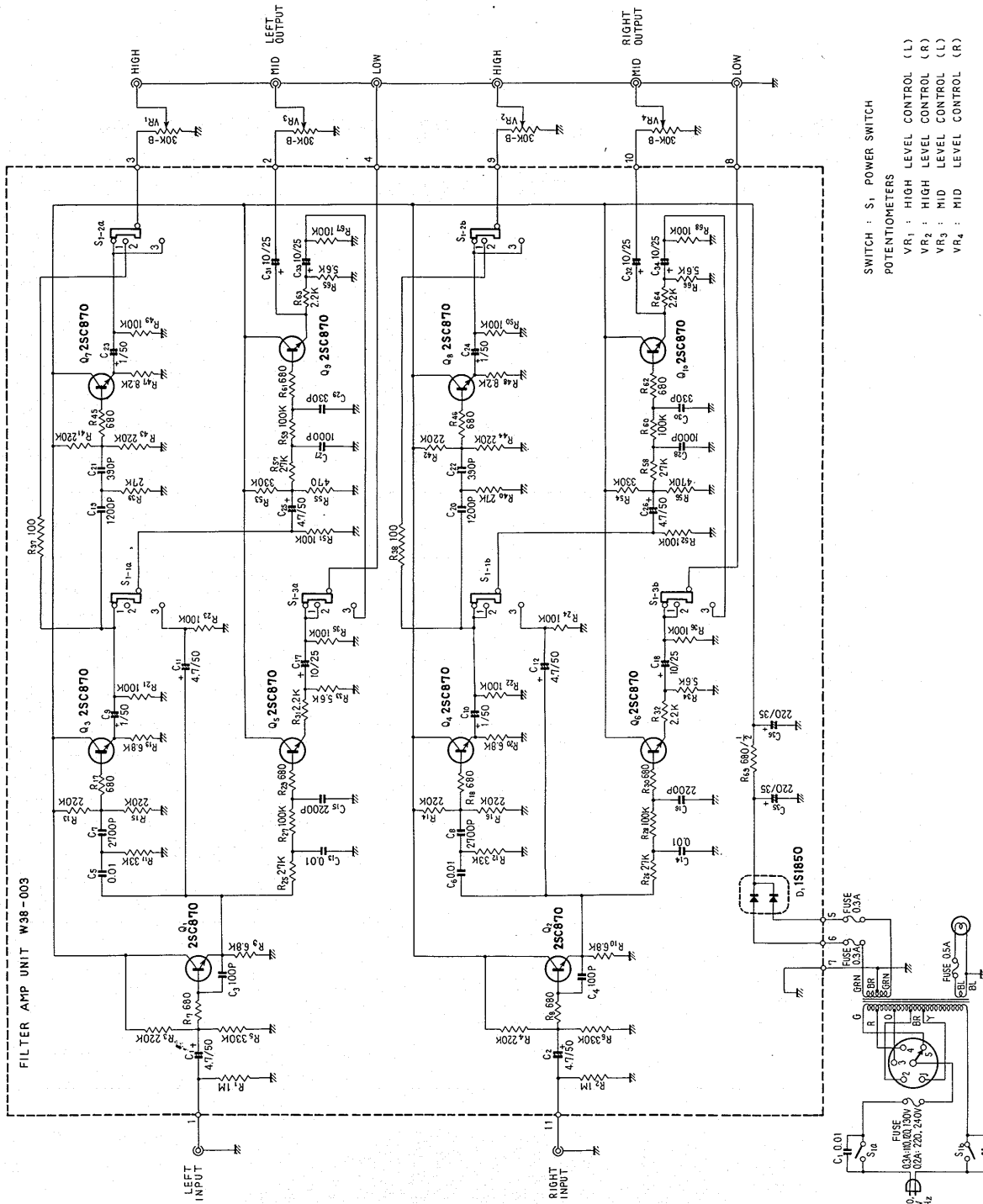


## ELECTRONIC CROSSOVER NETWORK SF-500

ROUND LABEL UNIT	FV					
FM FRONT END						
FM IF UNIT						
MPX UNIT						
AM TUNER UNIT						
MUTING UNIT						
AF UNIT						
CONTROL AMP UNIT						
MAIN AMP UNIT						
POWER SUPPLY UNIT						
SWITCH UNIT						
SWITCH UNIT						
SWITCH UNIT						
TONE COLOR UNIT						
CONTROL UNIT						
MIC AMP UNIT						
FILTER AMP UNIT	W38-003					
REVERBE UNIT						



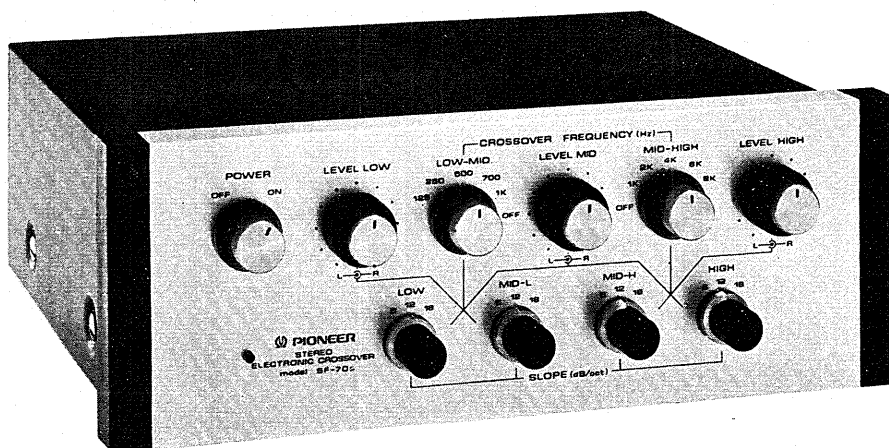




SWITCH : S1, POWER SWITCH  
 POTENTIOMETERS  
 VR1 : HIGH LEVEL CONTROL (L)  
 VR2 : HIGH LEVEL CONTROL (R)  
 VR3 : MID LEVEL CONTROL (L)  
 VR4 : MID LEVEL CONTROL (R)

## ELECTRONIC CROSSOVER NETWORK SF-700

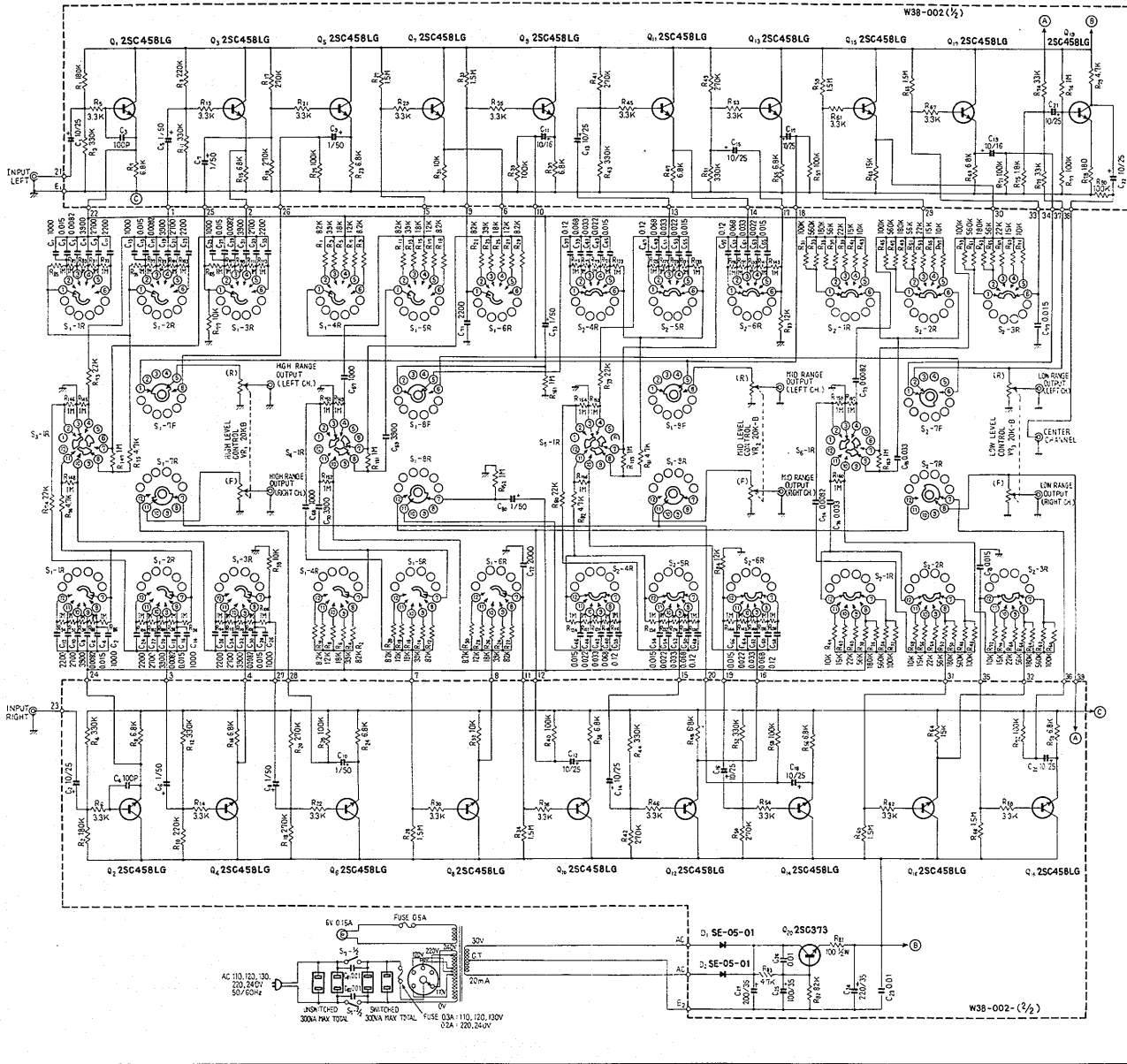
UNIT \ ROUND LABEL	FV	KC	KL			
FM FRONT END						
FM IF UNIT						
MPX UNIT						
AM TUNER UNIT						
MUTING UNIT						
HEAD AMP UNIT						
CONTROL AMP UNIT						
MAIN AMP UNIT						
POWER SUPPLY UNIT						
SWITCH UNIT						
SWITCH UNIT						
SWITCH UNIT						
TONE COLOR UNIT						
CONTROL UNIT						
MIC AMP UNIT						
FILTER UNIT	W38-002	W38-002	W38-002			
REVERBE UNIT						



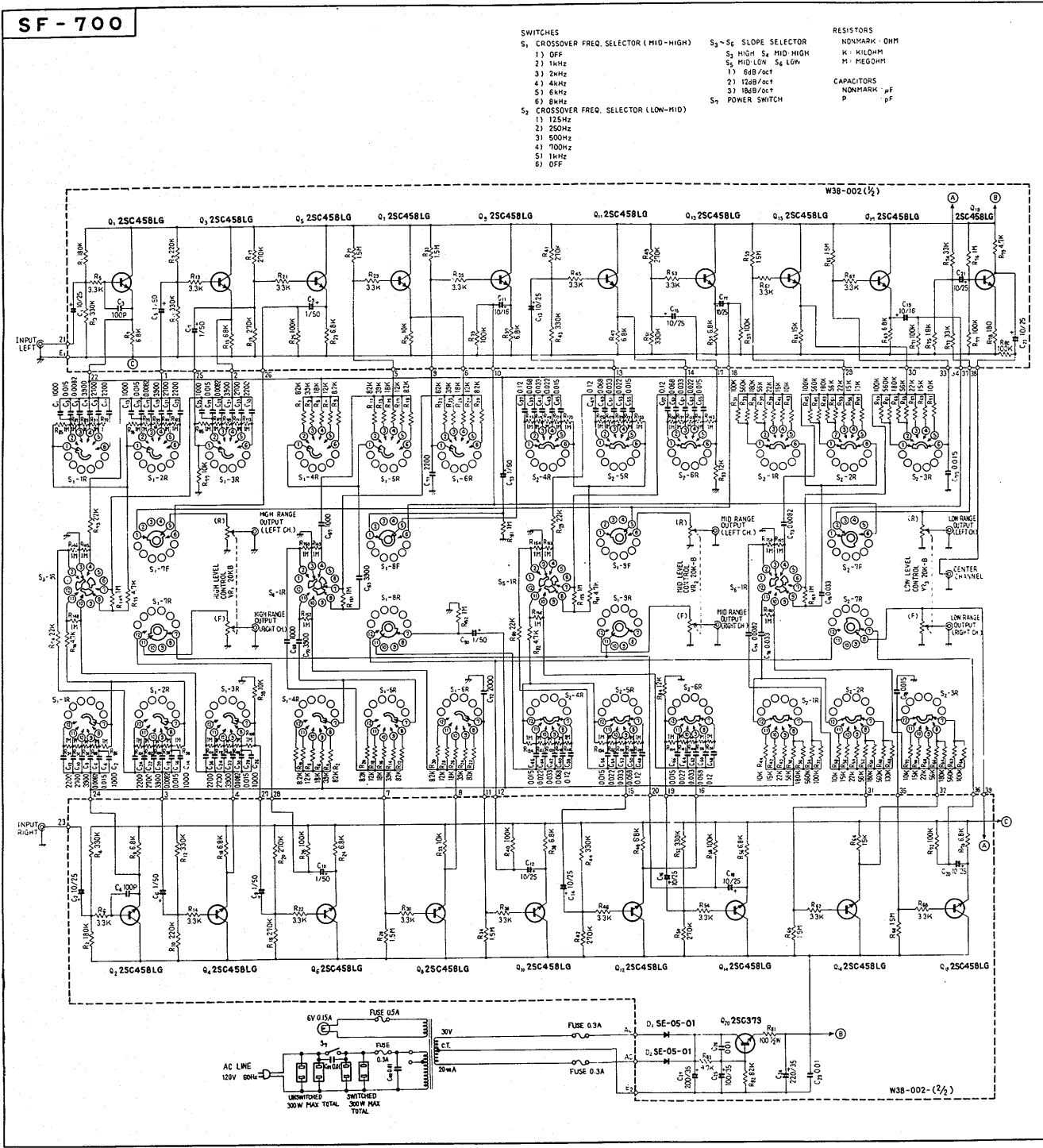
# SF-700 For FV model

SF-700

- SWITCHES
- S<sub>1</sub> CROSSOVER FREQ. SELECTOR (MID-HIGH)
  - 1) OFF
  - 2) 1kHz
  - 3) 2kHz
  - 4) 4kHz
  - 5) 6kHz
  - 6) 9kHz
  - S<sub>2</sub> CROSSOVER FREQ. SELECTOR (LOW-MID)
  - 1) 125Hz
  - 2) 250Hz
  - 3) 500Hz
  - 4) 700Hz
  - 5) 1kHz
  - 6) OFF
  - S<sub>3-S<sub>6</sub></sub> SLOPE SELECTOR
  - S<sub>3</sub> HIGH S<sub>4</sub> MID HIGH
  - S<sub>5</sub> MID LOW S<sub>6</sub> LOW
  - 1) 6dB/oct
  - 2) 12dB/oct
  - 3) 18dB/oct
  - S<sub>7</sub> POWER SWITCH
- RESISTORS
- NONMARK - OHM  
K - KILOHM  
M - MEGOHM
- CAPACITORS
- NONMARK - pF  
P - pF



SF-700 for KC, KL model



## REVERBERATION AMPLIFIER SR-202W

UNIT \ ROUND LABEL	FVW					
FM FRONT END						
FM IF UNIT						
MPX UNIT						
AM TUNER UNIT						
MUTING UNIT						
HEAD AMP UNIT						
CONTROL AMP UNIT						
AF AMP UNIT	W36-004					
POWER SUPPLY UNIT						
SWITCH UNIT						
SWITCH UNIT						
SWITCH UNIT						
TONE COLOR UNIT						
CONTROL UNIT						
MIC AMP UNIT						
REVERBE AMP UNIT						
REVERBE UNIT	W38-001					
DRIVE AMP UNIT	W15-045					



**SR-202W**

SWITCHES  
 S<sub>1</sub> REVERBERATION MODE  
 1 ON  
 2 OFF  
 3 RECORD

S<sub>2</sub> TAPE MODE  
 1 B  
 2 A  
 3 OFF  
 4 A → B  
 5 B → A

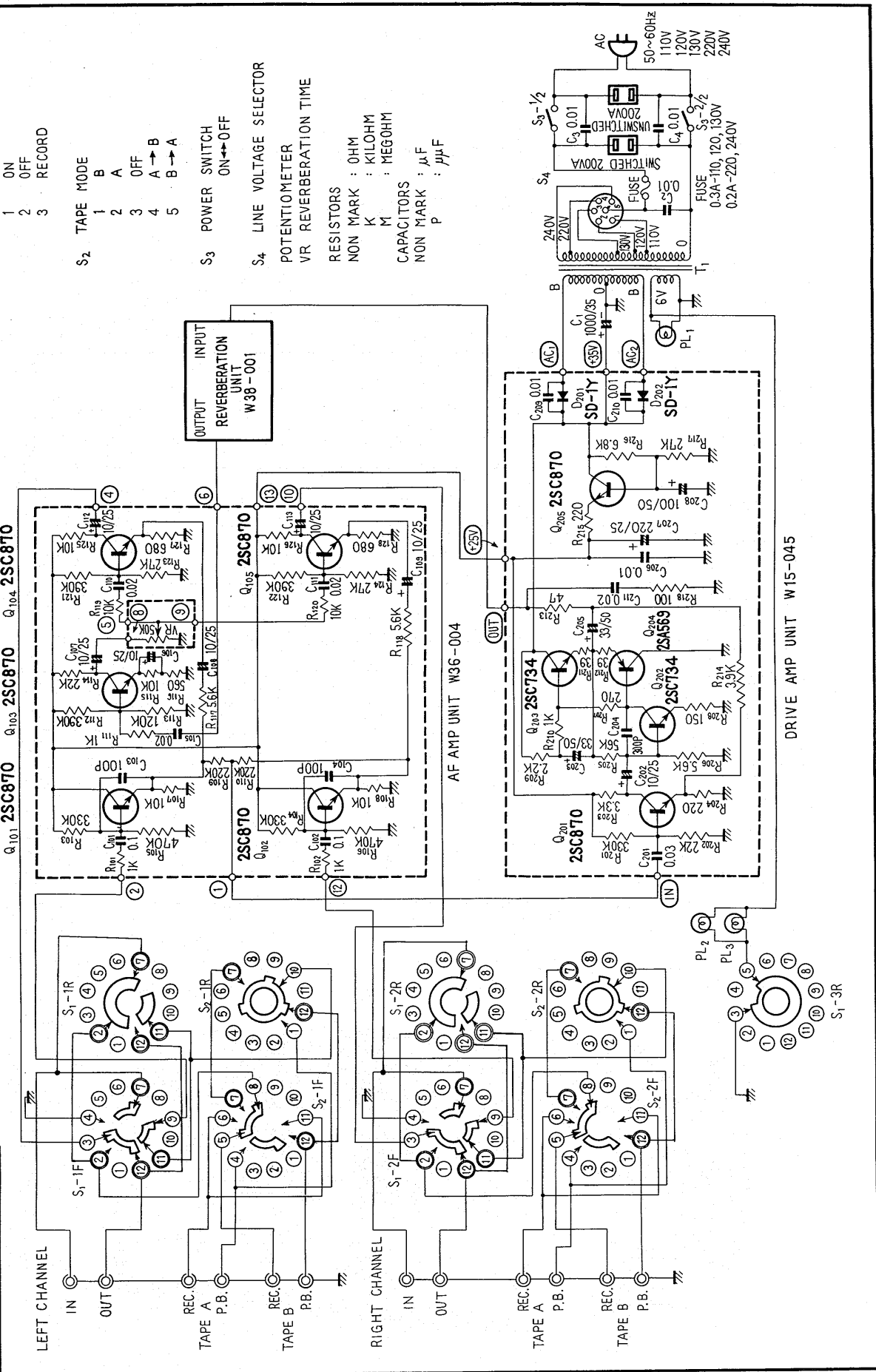
S<sub>3</sub> POWER SWITCH  
 ON ↔ OFF

S<sub>4</sub> LINE VOLTAGE SELECTOR

POTENTIOMETER  
 VR REVERBERATION TIME

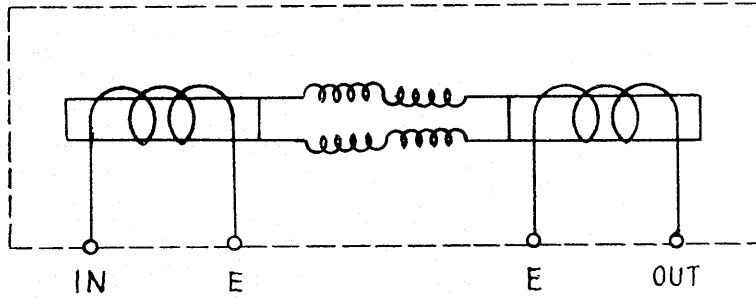
RESISTORS  
 NON MARK : OHM  
 K : KILOHM  
 M : MEGOHM

CAPACITORS  
 NON MARK : μF  
 P : μμF



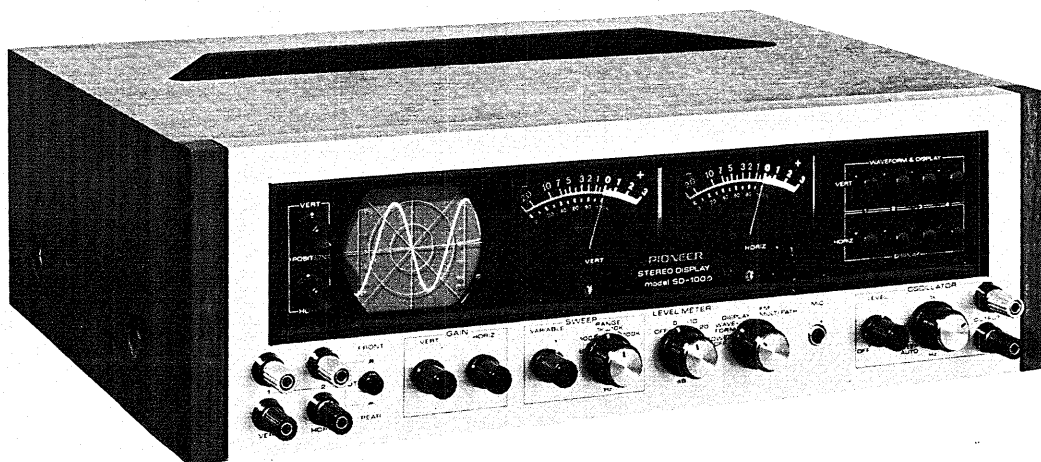
REVERBE UNIT

REVERB UNIT  
W38 - 001

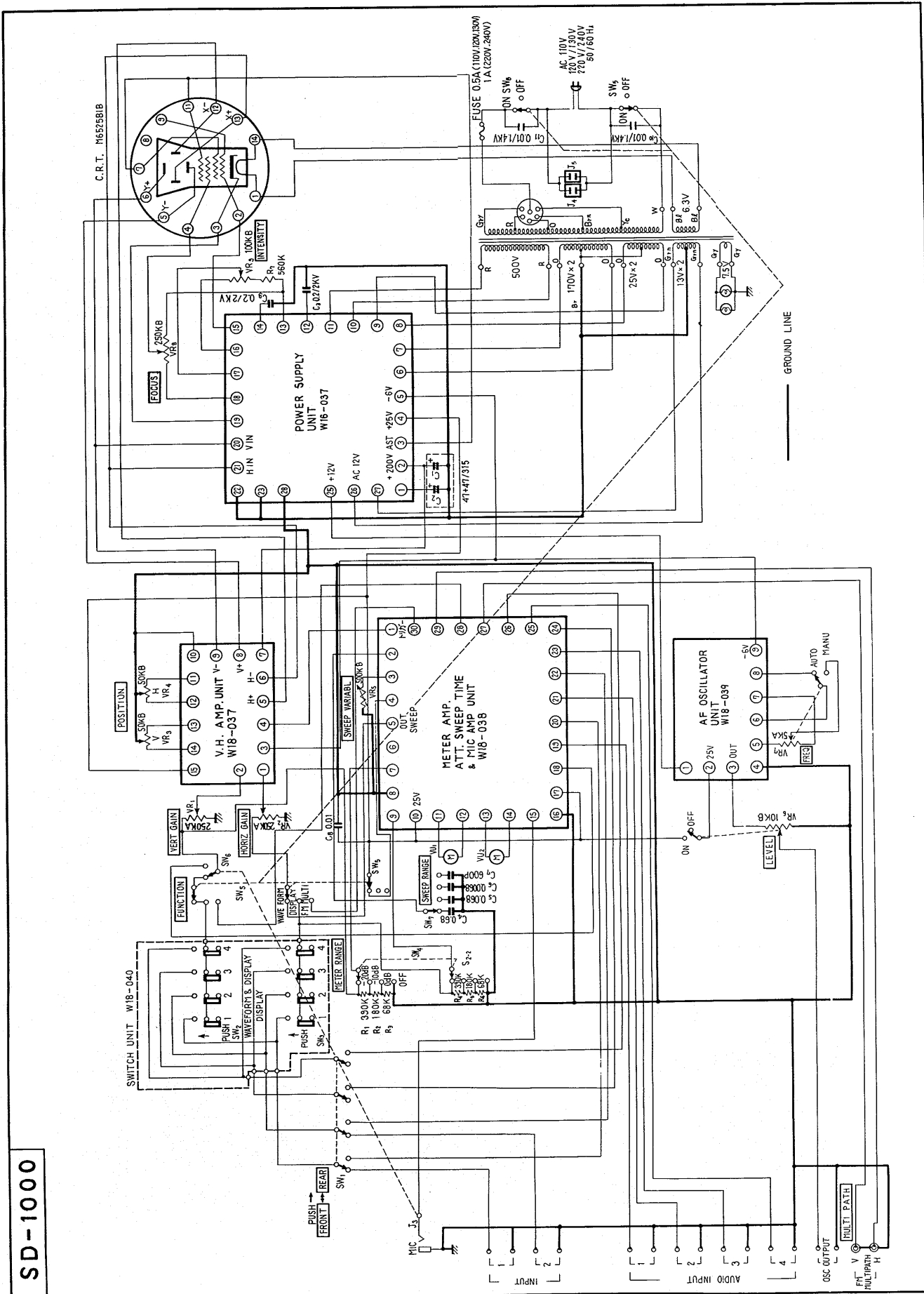


## STEREO DISPLAY SD-1000

UNIT \ ROUND LABEL	F					
AF OSC UNIT	W18-039					
FM FRONT END						
FM IF UNIT						
MPX UNIT						
V-H AMP UNIT	W18-037					
MUTING UNIT						
METER AMP UNIT	W18-038					
CONTROL AMP UNIT						
MAIN AMP UNIT						
POWER SUPPLY UNIT	W16-037					
SWITCH UNIT	W18-040					
SWITCH UNIT						
SWITCH UNIT						
TONE COLOR UNIT						
CONTROL UNIT						
MIC AMP UNIT						
REVERBE AMP UNIT						
REVERBE UNIT						

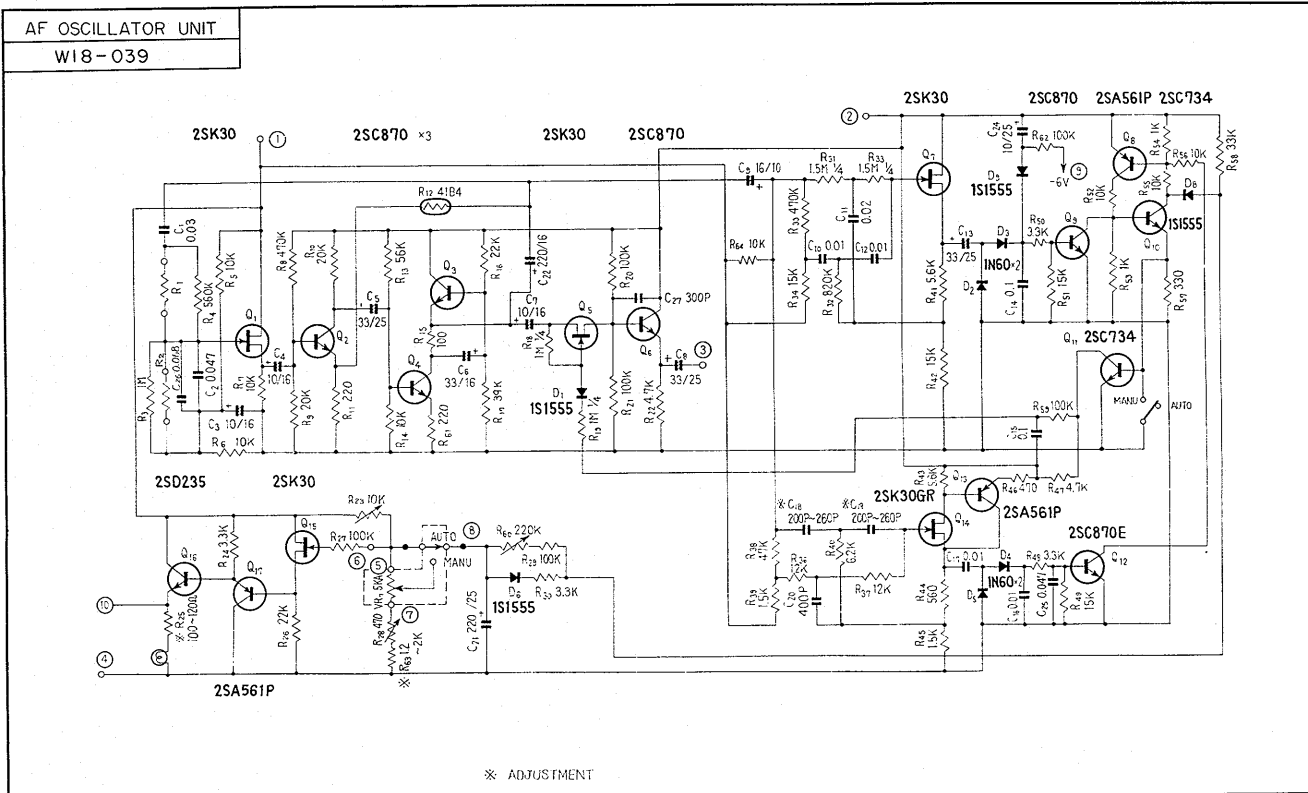




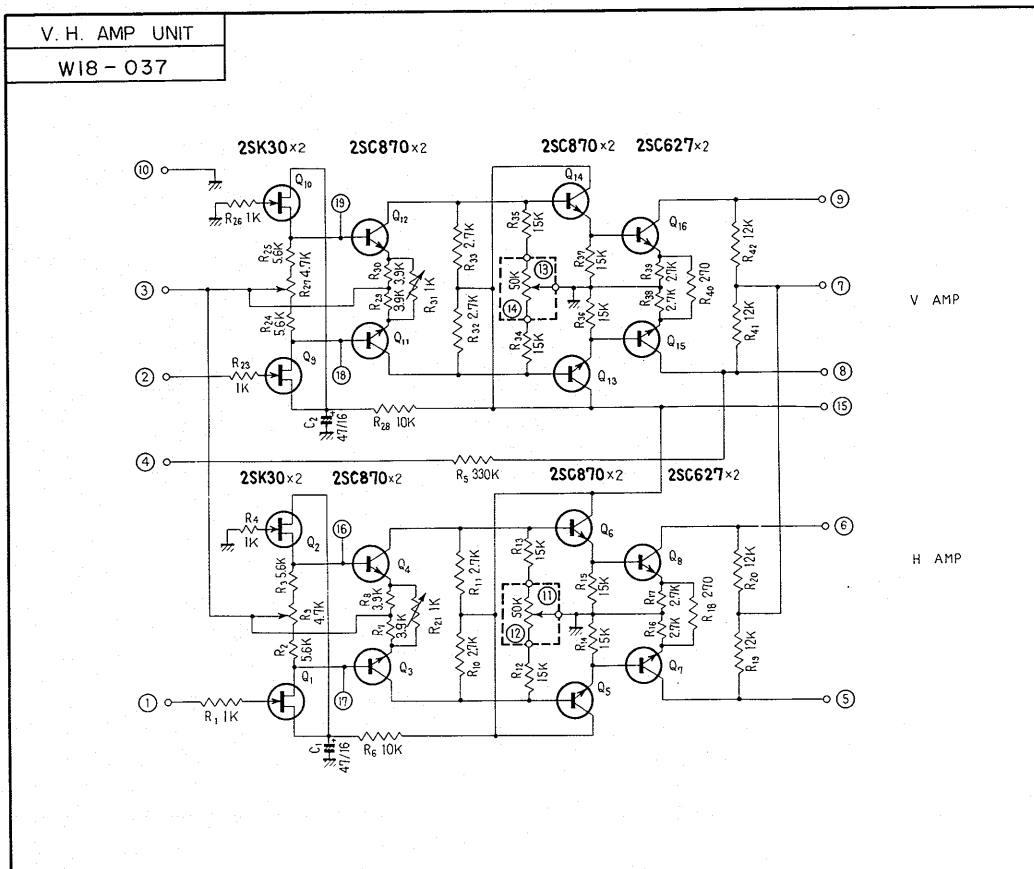


SD-1000

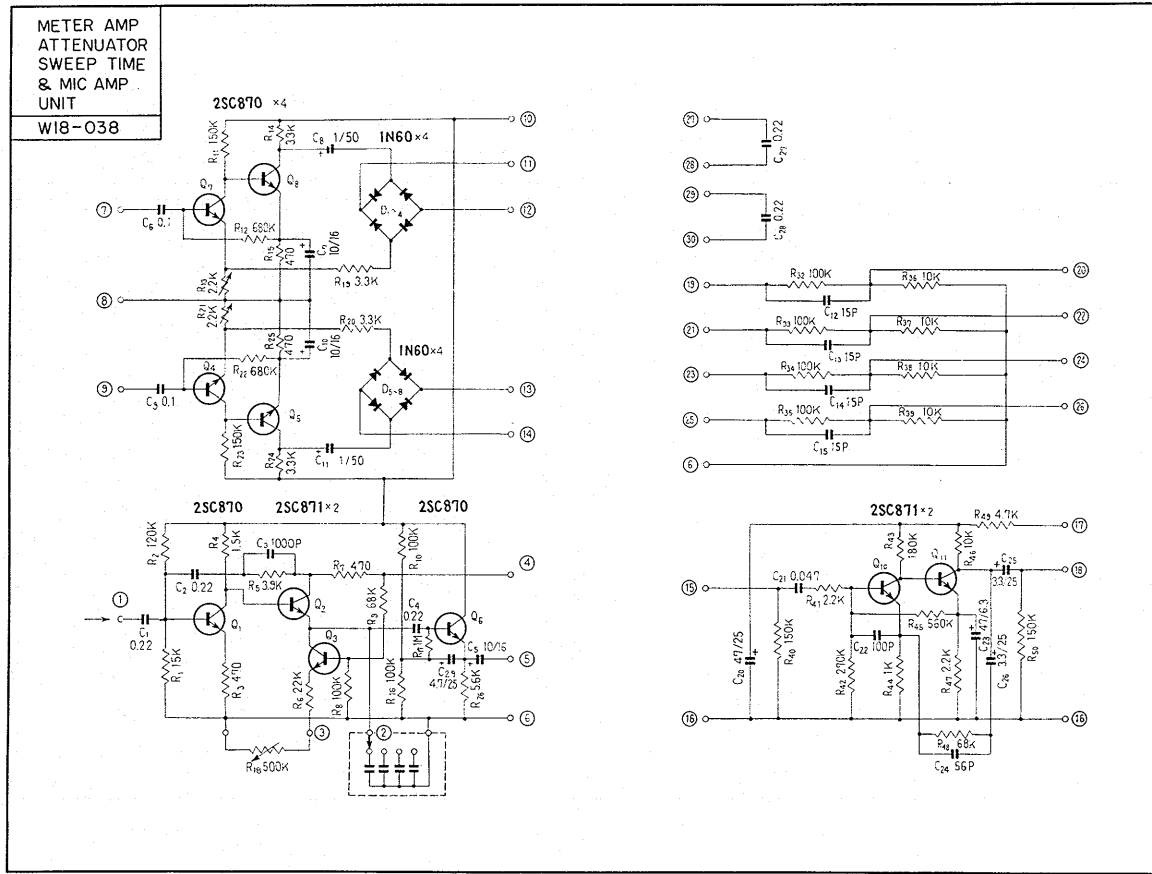
AF OSCILLATOR UNIT



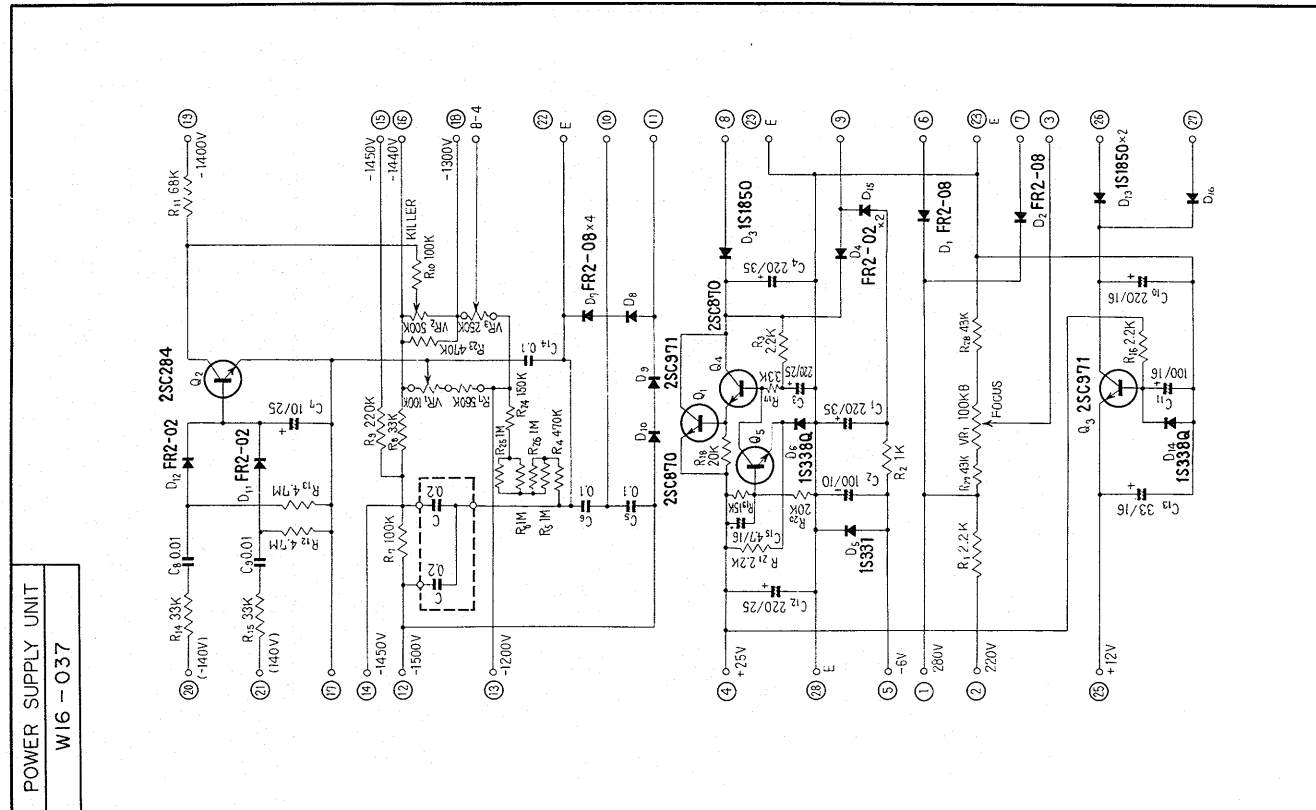
V. H. AMP UNIT



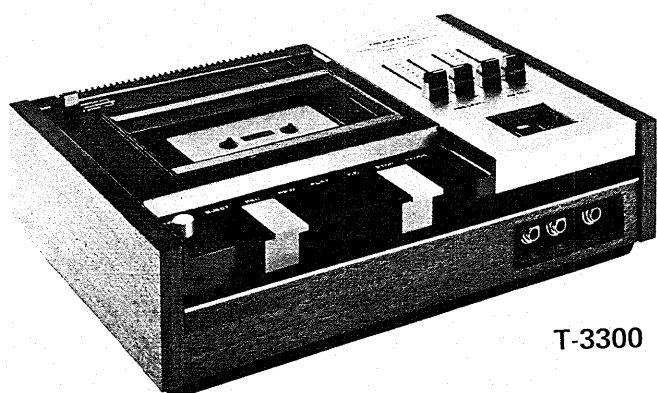
# METER AMP UNIT



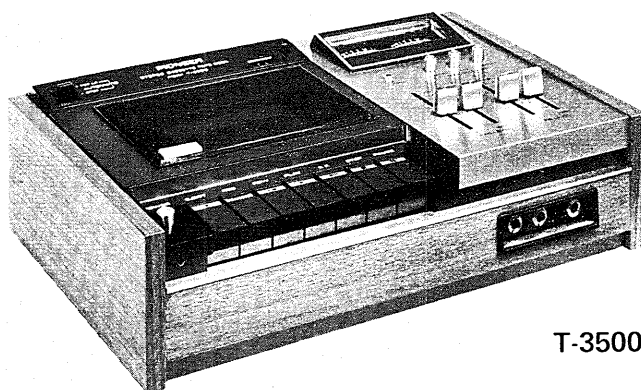
# POWER SUPPLY UNIT



## STEREO CASSETTE TAPE DECKS



T-3300



T-3500

## STEREO TAPE DECKS



T-6100



T-8800



T-6600

## 8-TRACK QUADRAPHONIC TAPE DECK



QT-2100

## 4-CHANNEL STEREO TAPE DECKS

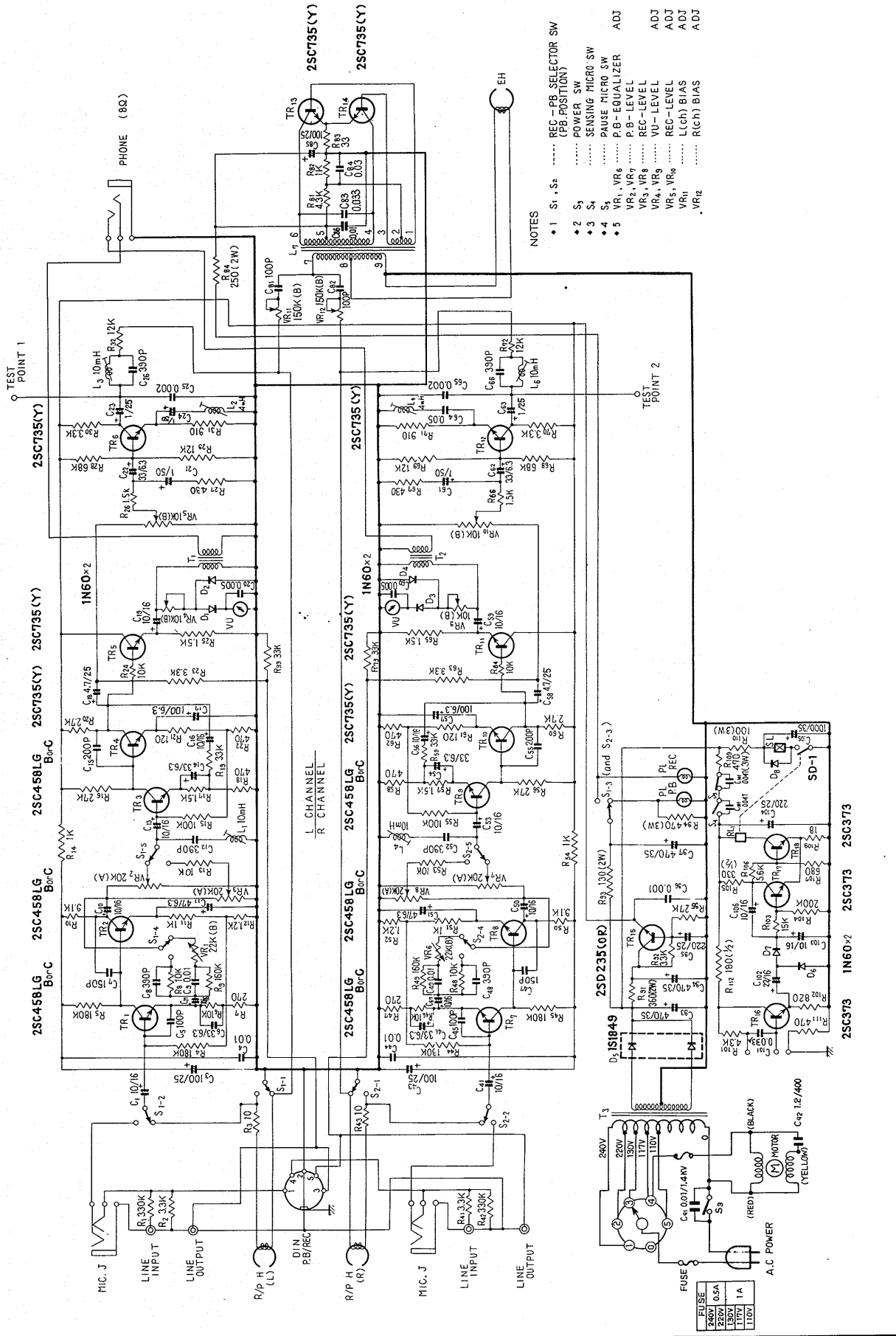


QT-6100



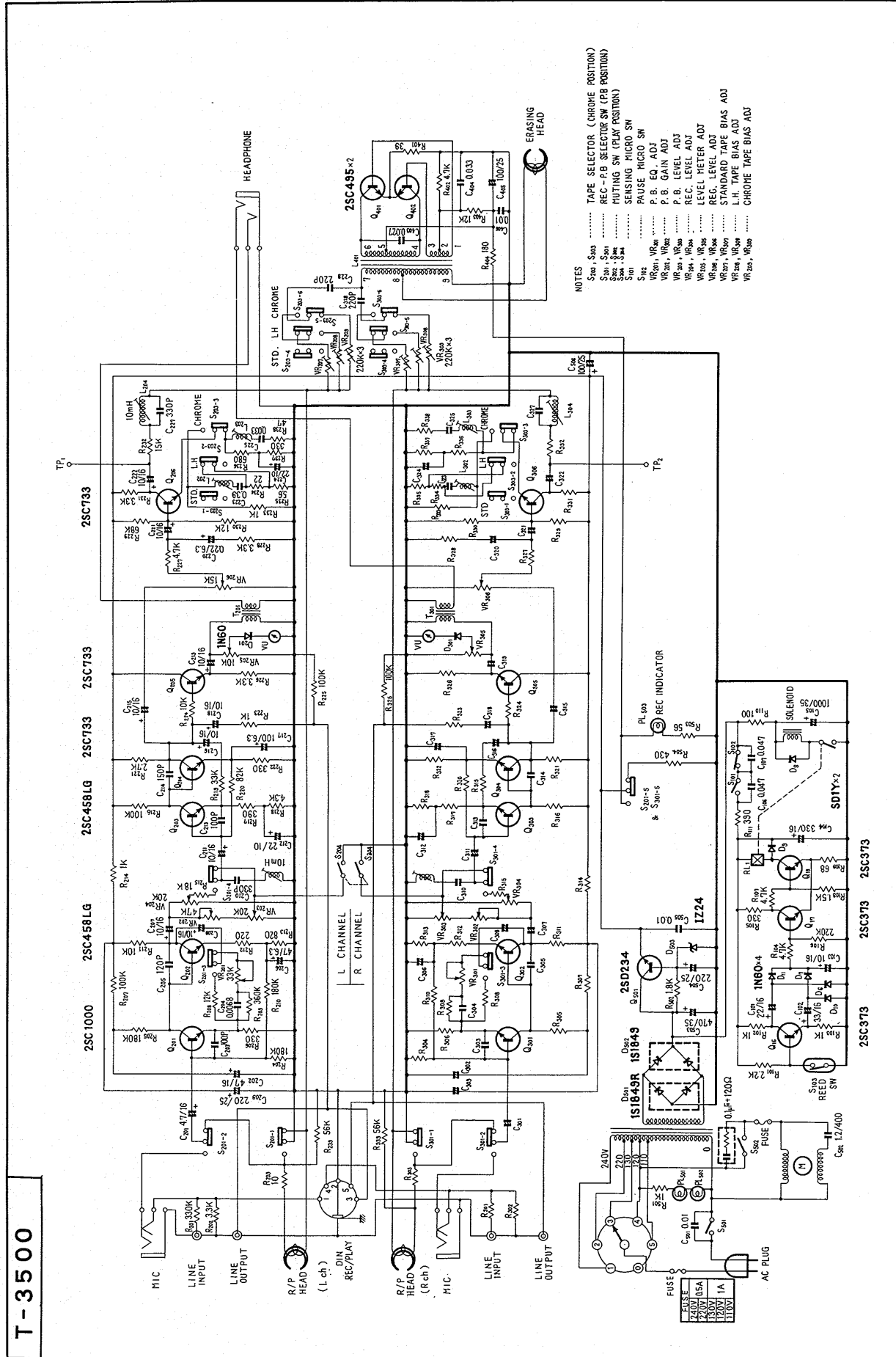
QT-6600

# T-3300



- NOTES**
- 1 S<sub>1</sub>, S<sub>2</sub> ..... REC - PB SELECTOR SW (PB POSITION)
  - 2 S<sub>2</sub> ..... POWER SW
  - 3 S<sub>3</sub> ..... SENSING MICRO SW
  - 4 S<sub>3</sub> ..... PAUSE MICRO SW
  - 5 S<sub>3</sub> ..... REC - EQUALIZER
  - VR<sub>1</sub>, VR<sub>6</sub> ..... P-B - LEVEL
  - VR<sub>2</sub>, VR<sub>7</sub> ..... REC - LEVEL
  - VR<sub>3</sub>, VR<sub>8</sub> ..... VU - LEVEL
  - VR<sub>4</sub>, VR<sub>9</sub> ..... REC - LEVEL
  - VR<sub>5</sub>, VR<sub>10</sub> ..... L(CH) BIAS
  - VR<sub>11</sub> ..... R(CH) BIAS
  - VR<sub>12</sub> ..... ADJ

FUSE	1A	0.5A
240V	110V	110V
250V	110V	110V
260V	110V	110V
270V	110V	110V
280V	110V	110V
290V	110V	110V
300V	110V	110V

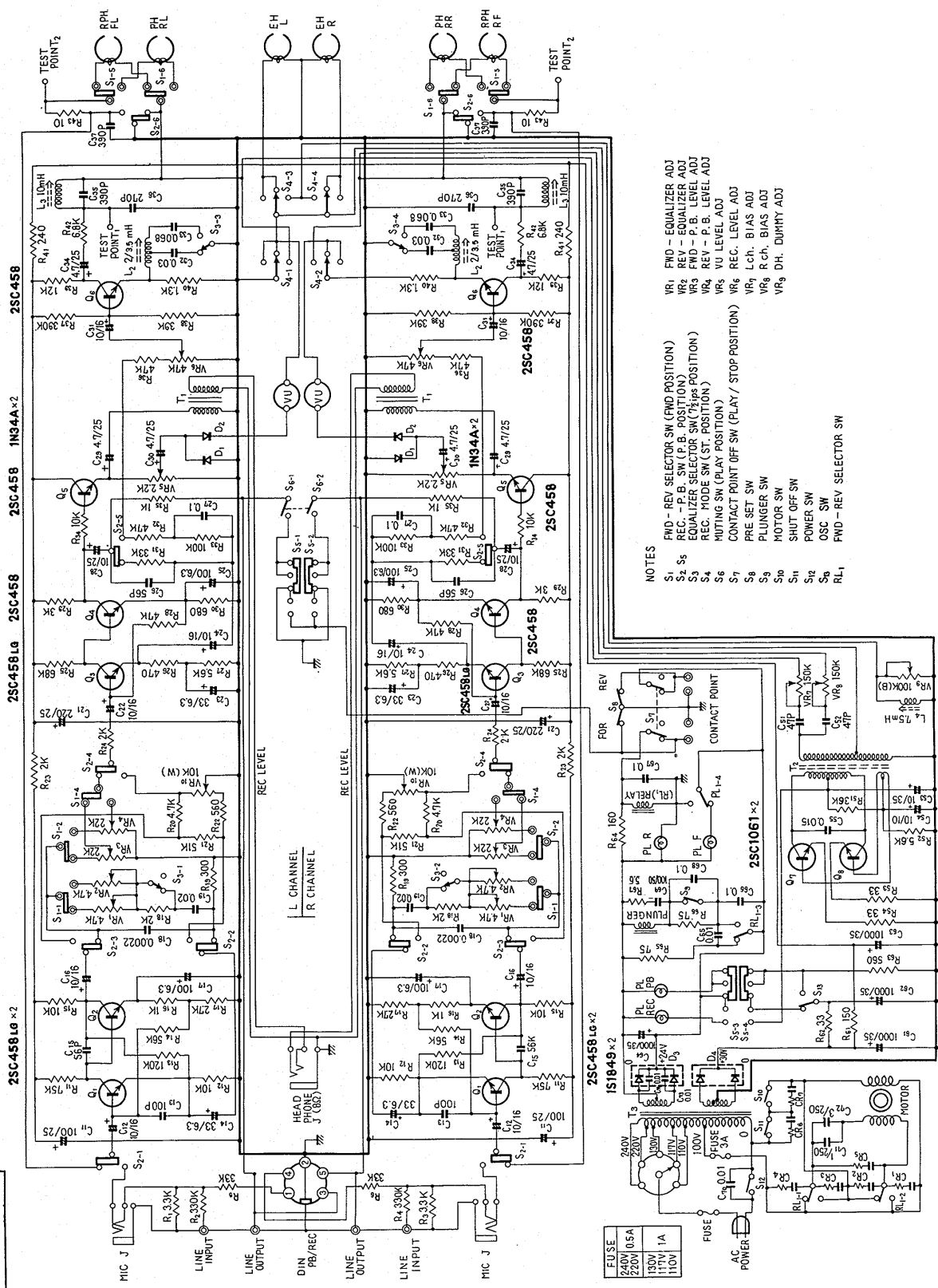


- NOTES
- S<sub>101</sub>, S<sub>102</sub> ..... TAPE SELECTOR (CHROME POSITION)
  - S<sub>103</sub>, S<sub>104</sub> ..... REC-PB SELECTOR SW (PB POSITION)
  - S<sub>105</sub>, S<sub>106</sub> ..... PAUSE MICRO SW
  - S<sub>107</sub> ..... SENSING MICRO SW
  - S<sub>108</sub> ..... PAUSE MICRO SW
  - VR<sub>101</sub>, VR<sub>102</sub> ..... P. B. EQ. ADJ
  - VR<sub>103</sub>, VR<sub>104</sub> ..... P. B. GAIN ADJ
  - VR<sub>105</sub>, VR<sub>106</sub> ..... P. B. LEVEL ADJ
  - VR<sub>107</sub>, VR<sub>108</sub> ..... REC. LEVEL ADJ
  - VR<sub>109</sub>, VR<sub>110</sub> ..... LEVEL METER ADJ
  - VR<sub>111</sub>, VR<sub>112</sub> ..... REC. LEVEL ADJ
  - VR<sub>113</sub>, VR<sub>114</sub> ..... STANDARD TAPE BIAS ADJ
  - VR<sub>115</sub>, VR<sub>116</sub> ..... L.H. TAPE BIAS ADJ
  - VR<sub>117</sub>, VR<sub>118</sub> ..... CHROME TAPE BIAS ADJ

T-3500

Model T-6100

T-6100



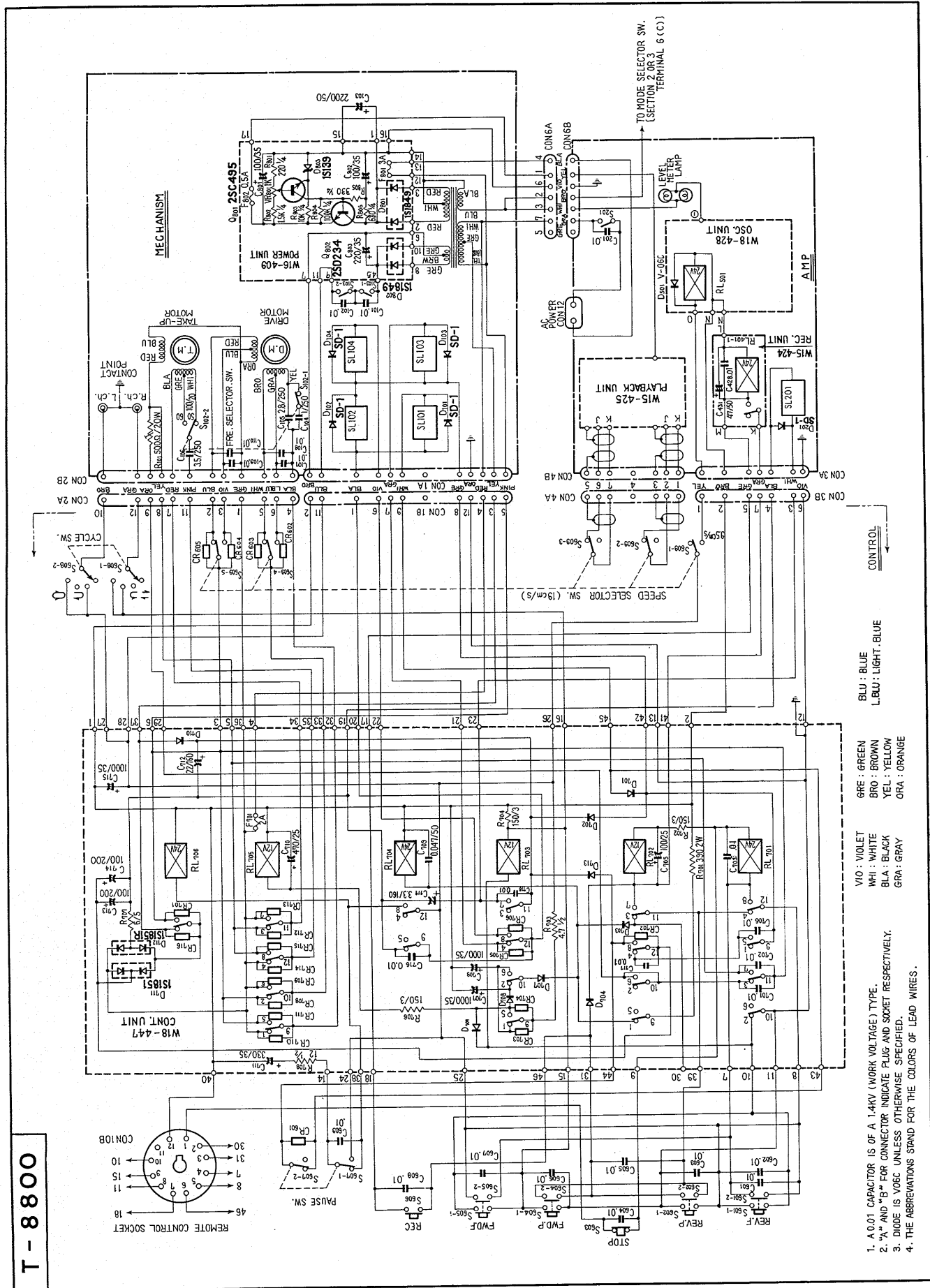
- NOTES
- S1 FWD - REV SELECTOR SW (FWD POSITION)
  - S2 REC - P.B. SW (P.B. POSITION)
  - S3 EQUALIZER SELECTOR SW (EQ POS POSITION)
  - S4 REC. MODE SW (ST. POSITION)
  - S5 MUTING SW (PLAY POSITION)
  - S6 CONTACT POINT OFF SW (PLAY / STOP POSITION)
  - S7 PRE SET SW
  - S8 PLUNGER SW
  - S9 MOTOR SW
  - S10 SHUT OFF SW
  - S11 POWER SW
  - S12 OSC SW
  - S13 FWD - REV SELECTOR SW
  - S14 RL1
- VR1 FWD - EQUALIZER ADJ
  - VR2 REV - EQUALIZER ADJ
  - VR3 FWD - P.B. LEVEL ADJ
  - VR4 REV - P.B. LEVEL ADJ
  - VR5 VU LEVEL ADJ
  - VR6 REC. LEVEL ADJ
  - VR7 L CH. BIAS ADJ
  - VR8 R CH. BIAS ADJ
  - VR9 DH. DUMMY ADJ

FUSE	240V 0.5A
	220V
	130V
	117V 1A
	110V





## Model T-8800 CONTROL



**T-8800**

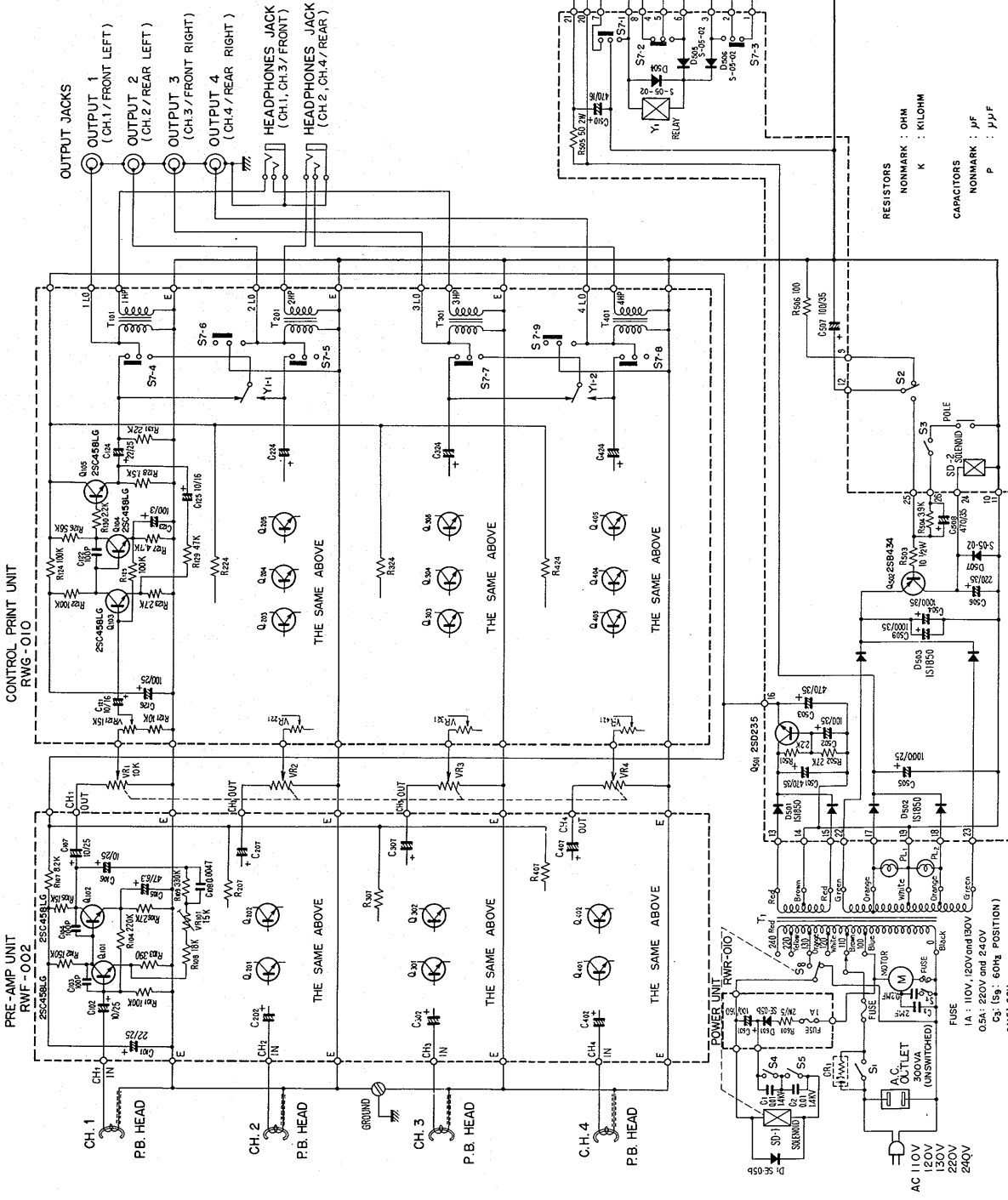


Model QT-2100

QT-2100

- SWITCHES**
- S1 : MICROSWITCH ( POWER SWITCH )
  - S2 : PROGRAM SWITCH
  - S3 : PROGRAM REPEAT SWITCH ON-OFF ( ON POSITION )
  - S4 : MODE SWITCH 4 CH. - AUTO ( 4 CH. POSITION )
  - S5 : AUTOMATIC CHANNEL SELECTOR 2 CH. - 4 CH. ( 4 CH. POSITION )
  - S6 : PROGRAM LAMP SWITCH 4 CH. - 2 CH. SELECTOR ( 4 CH. POSITION / INTERLOCK WITH SD-1 )

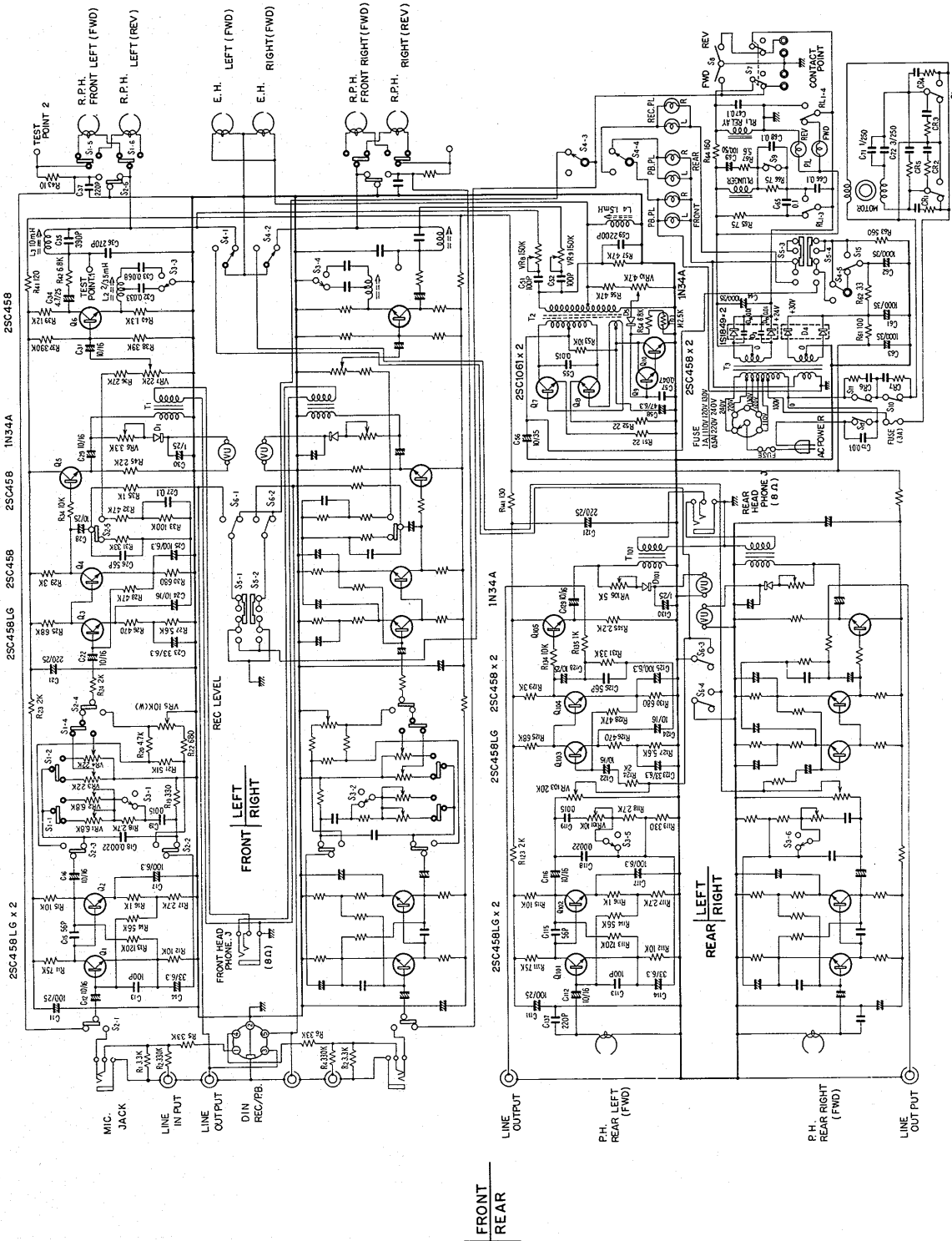
**POTENTIOMETER**  
VR1, VR2, VR3 and VR4  
VOLUME CONTROL



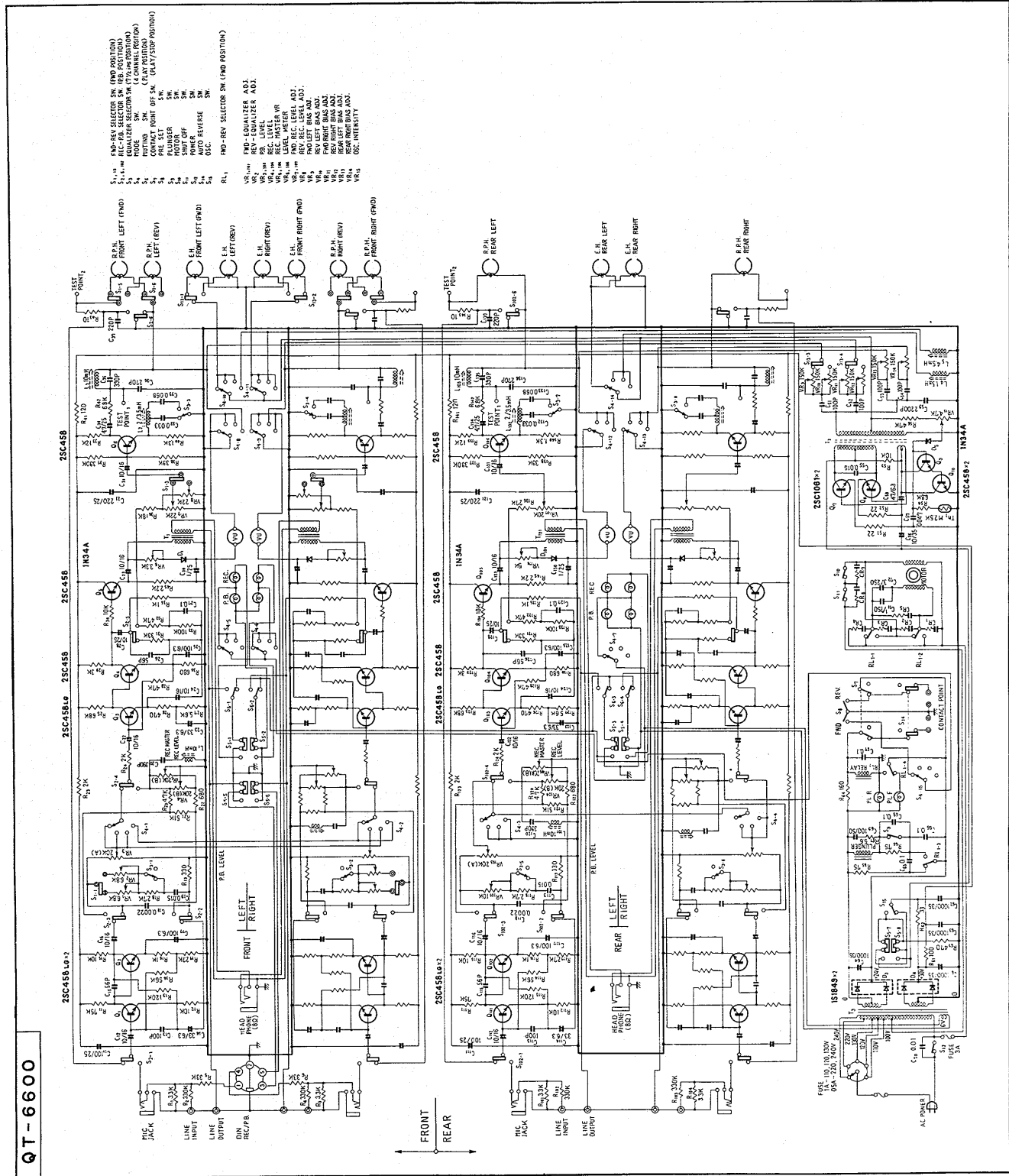
**RESISTORS**  
NONMARK : OHM  
K : KILOHM

**CAPACITORS**  
NONMARK : μF  
P : pμF

- S1 FWD-REV SELECTOR SW (FWD POSITION)
- S2 REC-PB. SELECTOR SW (PB. POSITION)
- S3 EQUALIZER SELECTOR SW (7 1/2 IPS POSITION)
- S4 MODE SW. (4 CHANNEL POSITION)
- S5 PLUNGER SW. (PLAY / STOP POSITION)
- S6 CONTACT OFF SW. (PLAY / STOP POSITION)
- S7 PRE SET SW.
- S8 PLUNGER SW. (FWD POSITION)
- S9 SHUT OFF SW.
- S10 POWER SW.
- S11 OSC. SW.
- RL1 FWD-REV SELECTOR SW (FWD POSITION)
- VR1, 101 PB EQUALIZER ADJ. (FWD POSITION)
- VR2, 102 PB EQUALIZER ADJ. (REV POSITION)
- VR3, 103 PB LEVEL ADJ. (FWD POSITION)
- VR4, 104 PB LEVEL ADJ. (REV POSITION)
- VR5, 105 REC LEVEL
- VR6, 106 REC LEVEL
- VR7, 107 REC LEVEL
- VR8, 108 LEFT BIAS ADJ.
- VR9, 109 RIGHT BIAS ADJ.
- VR10, 110 OSC INTENSITY ADJ.



Model QT-6600



**TURNTABLE**

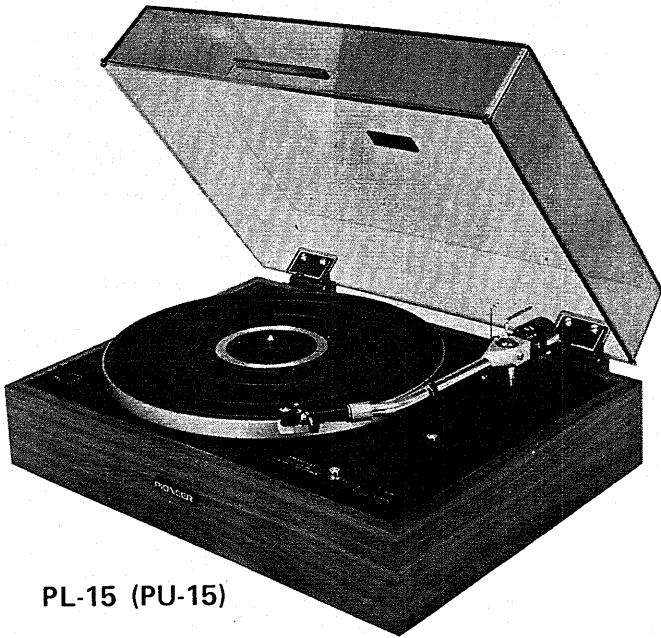
**STEREO TURNTABLES**



**PL-11 (PU-11)**



**PL-12 (PU-12)**



**PL-15 (PU-15)**



**PL-25**



**PL-A25 (PU-A25)**



**PL-30**



PL-31D



PL-A35



PL-41A (PL-41, PL-41D)



PL-50

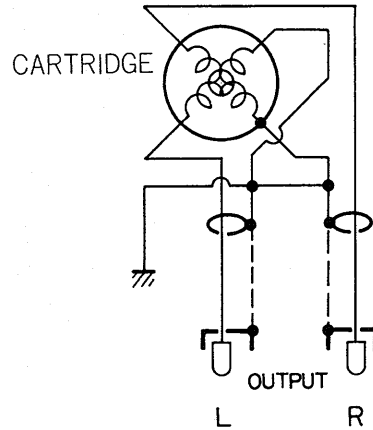
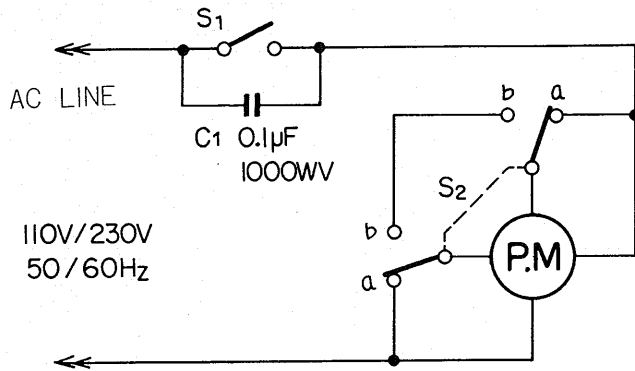


# TURNTABLE

Model PL-11/P, PL-11/PV, PL-11A/PV

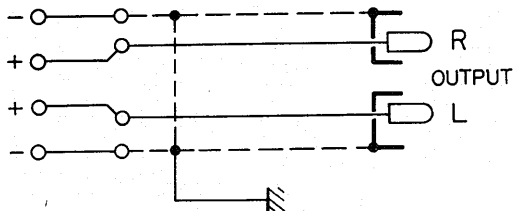
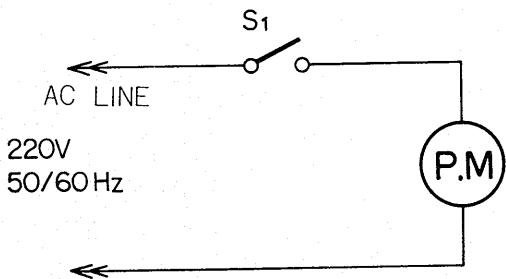
Model PL-12/M, PL-12A/PV, PL-12/PV, PU-12/P

Model PL-15/PV, PU-15/P



- S1 POWER SWITCH
- S2 LINE VOLTAGE SELECTOR

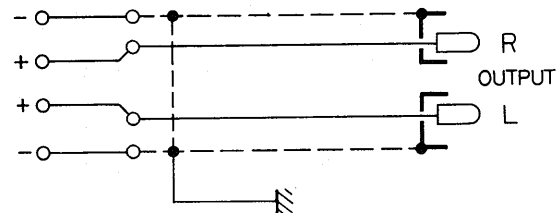
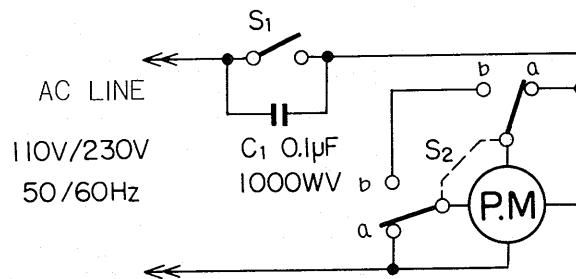
Model PL-12AC/NB



- S1 POWER SWITCH

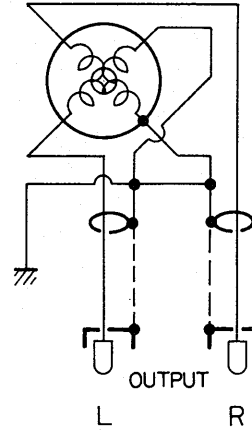
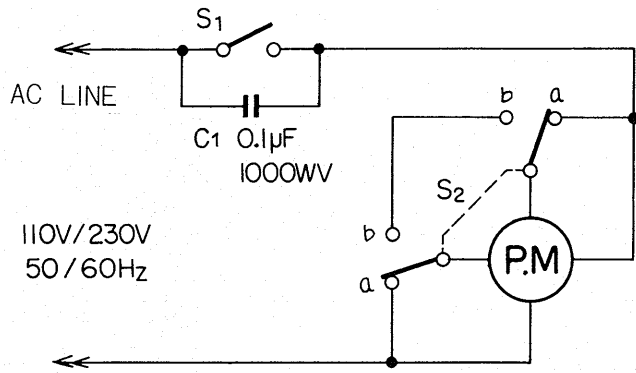
Model PL-11C/PV, PU-11/P, PL-11AC/PV

Model PL-12AC/PV, PL-15C/PV



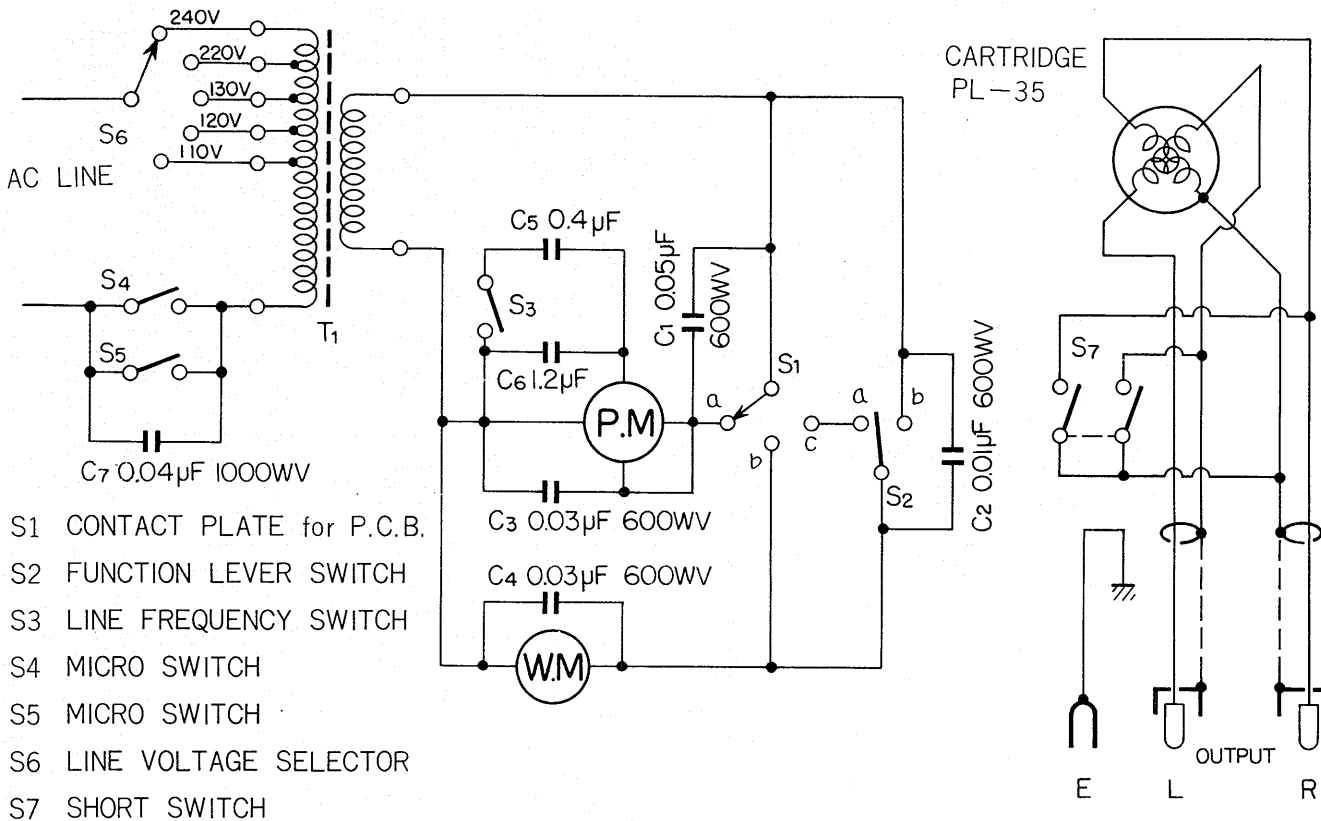
- S1 POWER SWITCH
- S2 LINE VOLTAGE SELECTOR

**Model PL-25/F**



- S1 POWER SWITCH
- S2 LINE VOLTAGE SELECTOR

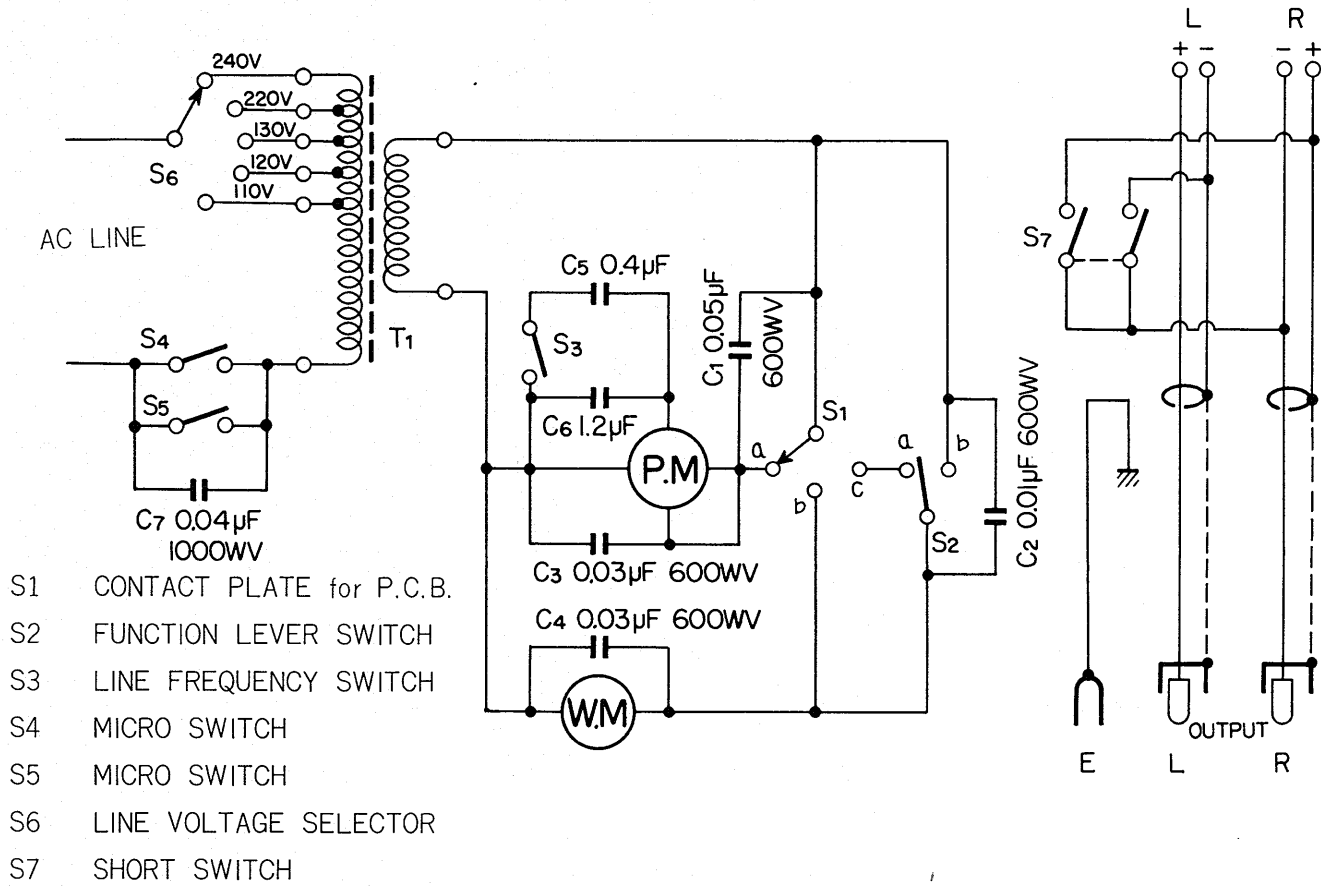
**Model PL-A25/FV**



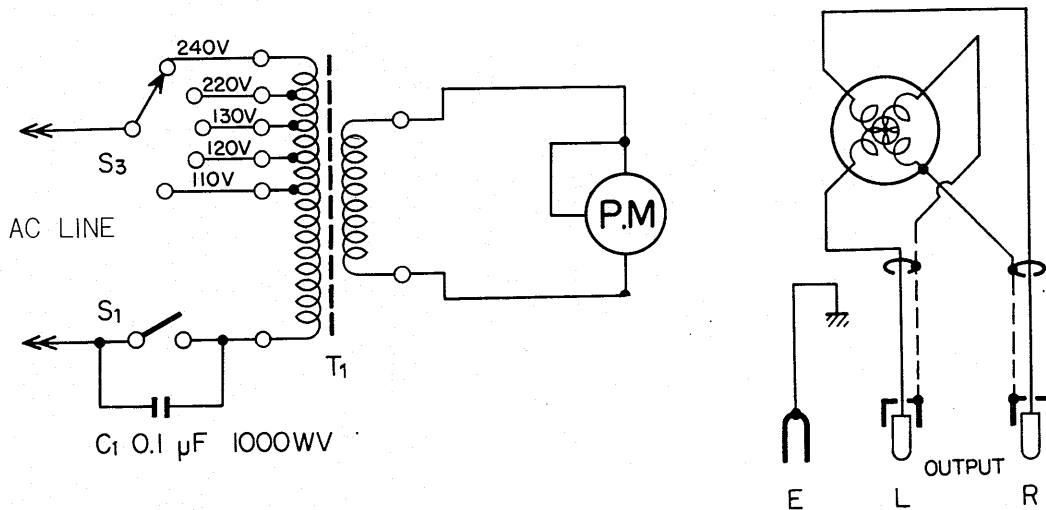
- S1 CONTACT PLATE for P.C.B.
- S2 FUNCTION LEVER SWITCH
- S3 LINE FREQUENCY SWITCH
- S4 MICRO SWITCH
- S5 MICRO SWITCH
- S6 LINE VOLTAGE SELECTOR
- S7 SHORT SWITCH

# TURNTABLE

## Model PL-A25/FVT, PU-A25/FV

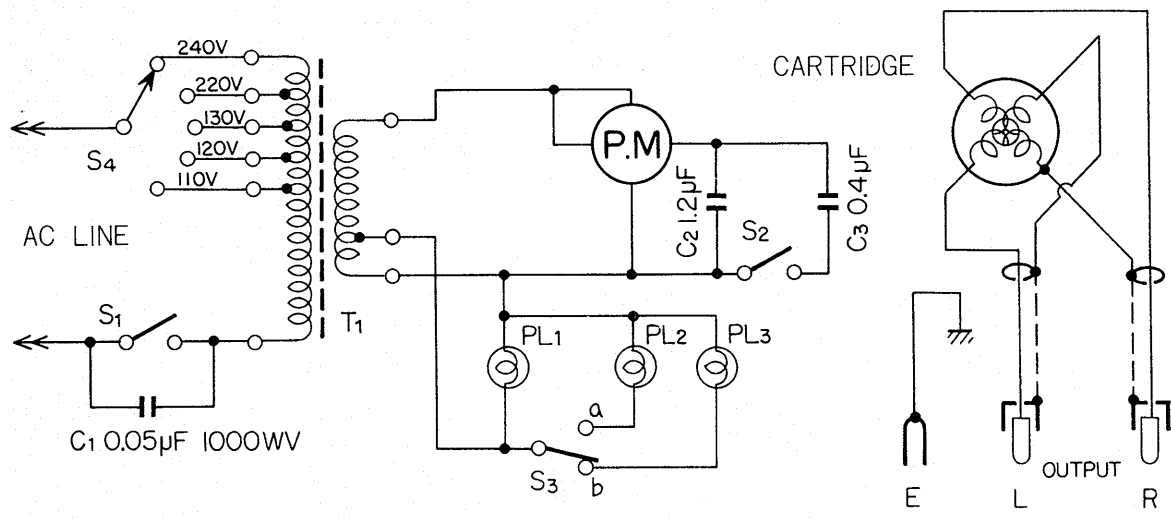


## Model PL-30/F



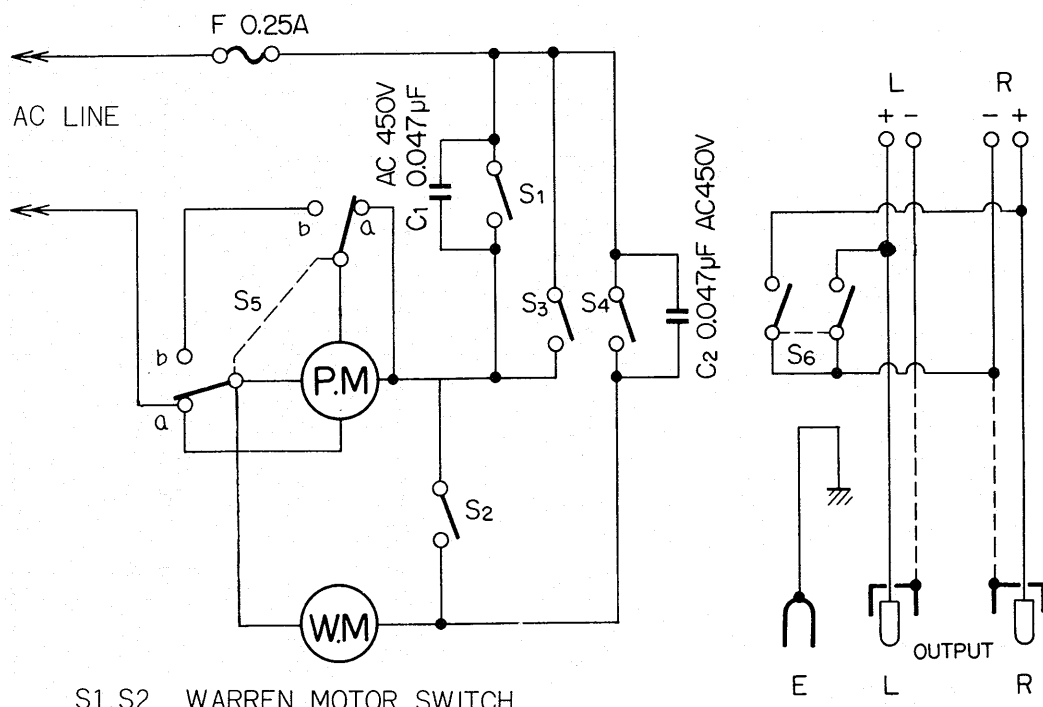
- S1 POWER SWITCH  
 S2 LINE VOLTAGE SELECTOR

Model PL-31D/FV, PL-31D/F



- S1 POWER SWITCH
- S2 LINE FREQUENCY SELECTOR
- S3 SPEED SELECTOR SWITCH
- S4 LINE VOLTAGE SELECTOR

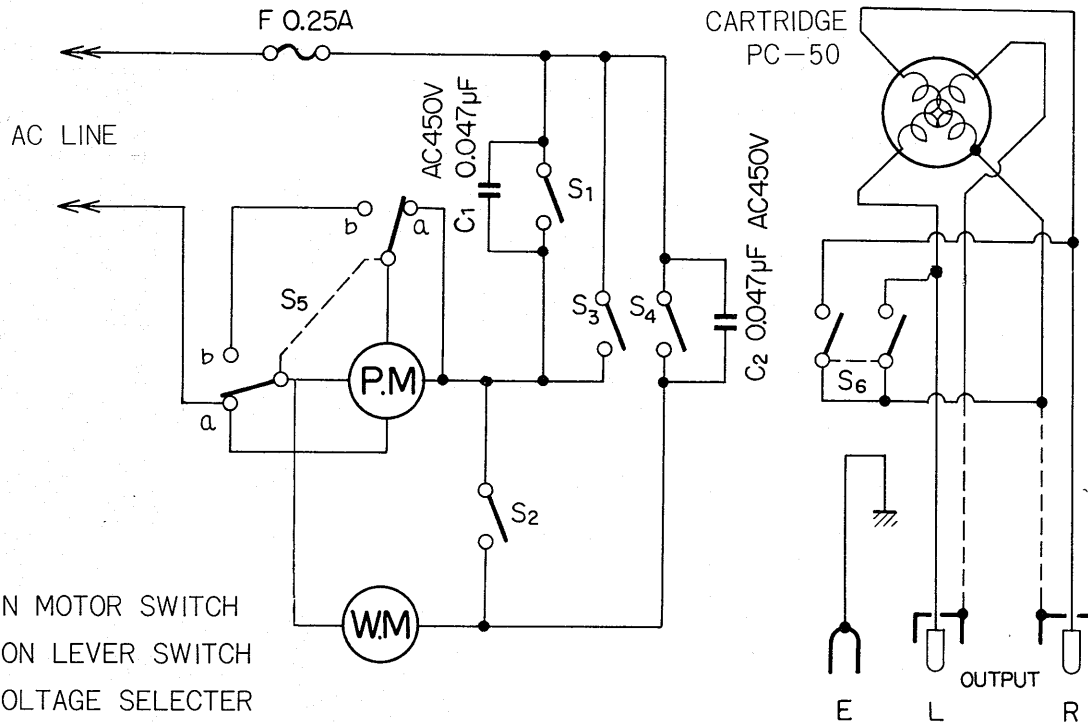
Model PL-A35/PVT



- S1, S2 WARREN MOTOR SWITCH
- S3, S4 FUNCTION LEVER SWITCH
- S5 LINE VOLTAGE SELECTER
- S6 SHORT SWITCH

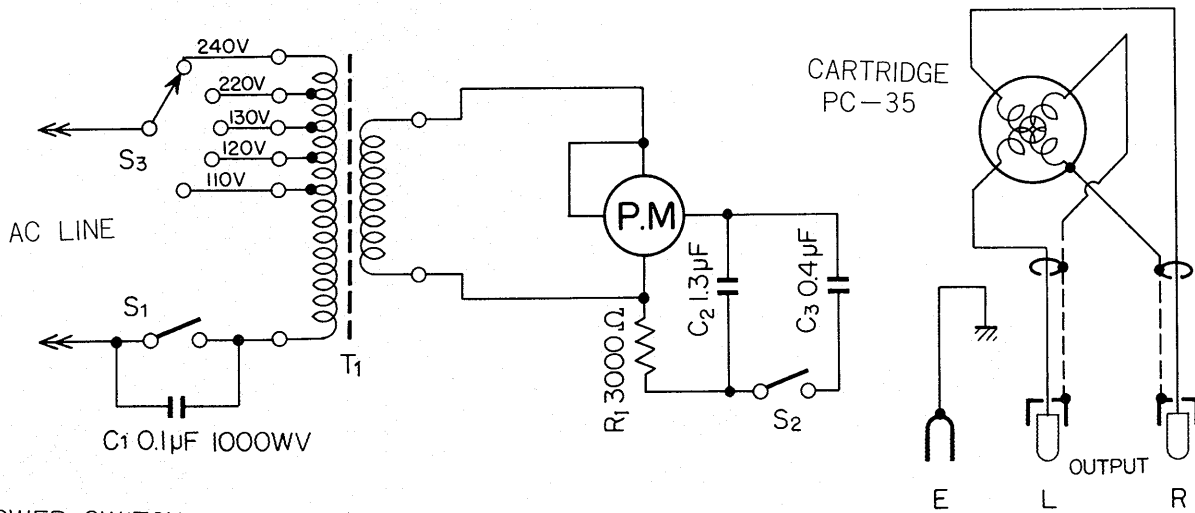
# TURNTABLE

## Model PL-A35/PV



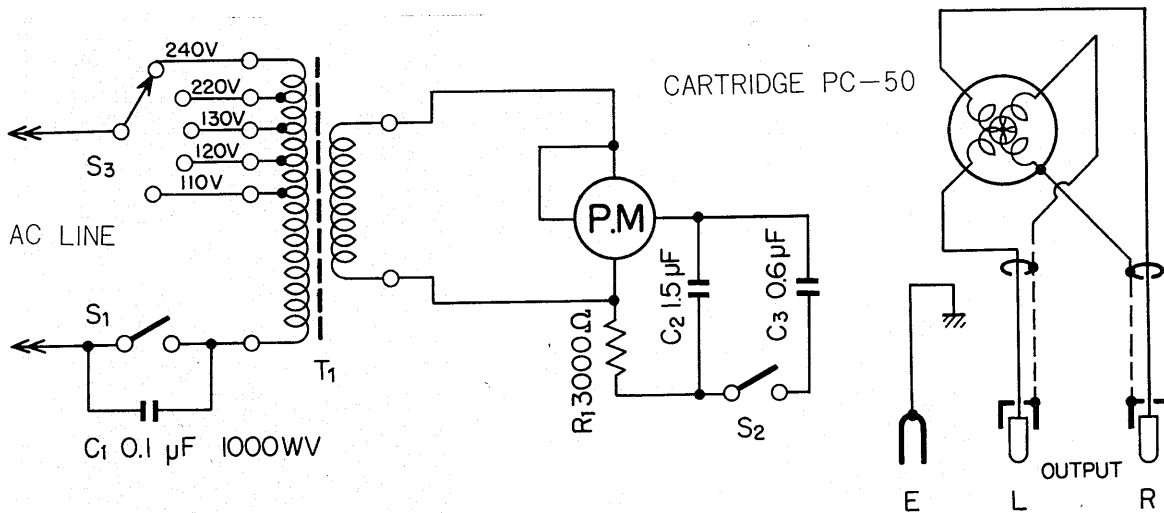
- S1, S2 WARREN MOTOR SWITCH
- S3, S4 FUNCTION LEVER SWITCH
- S5 LINE VOLTAGE SELECTER
- S6 SHORT SWITCH

## Model PL-41/F, PL-41A/FV



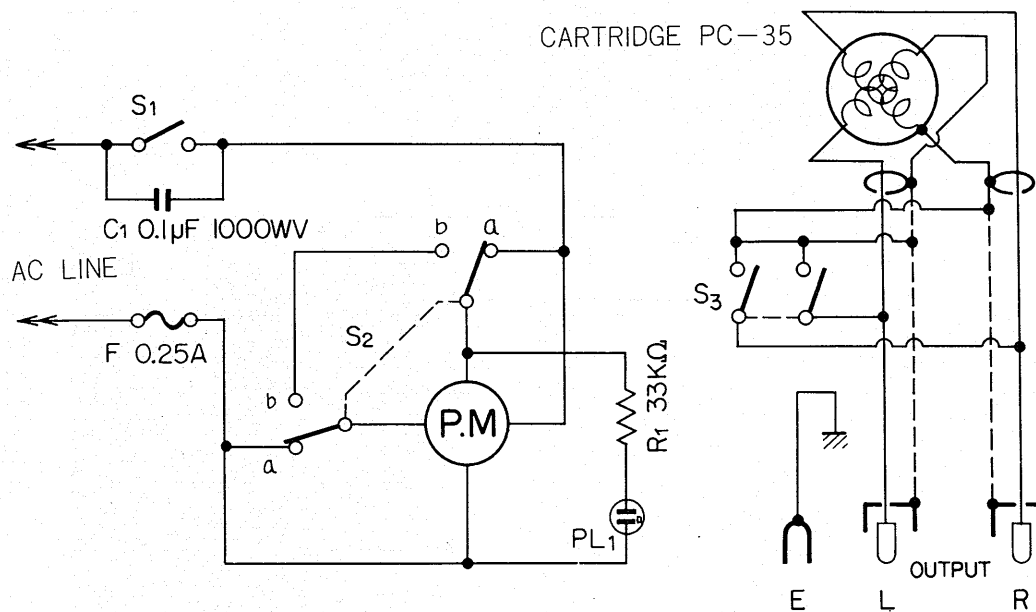
- S1 POWER SWITCH
- S2 LINE FREQUENCY SELECTOR
- S3 LINE VOLTAGE SELECTOR

**Model PL-41D/F**



- S1 POWER SWITCH
- S2 LINE FREQUENCY SELECTOR
- S3 LINE VOLTAGE SELECTOR

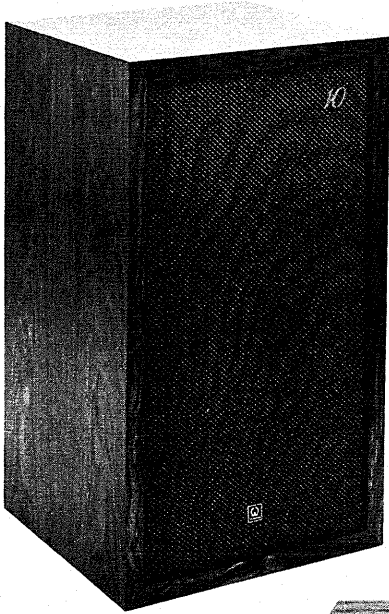
**Model PL-50/PV**



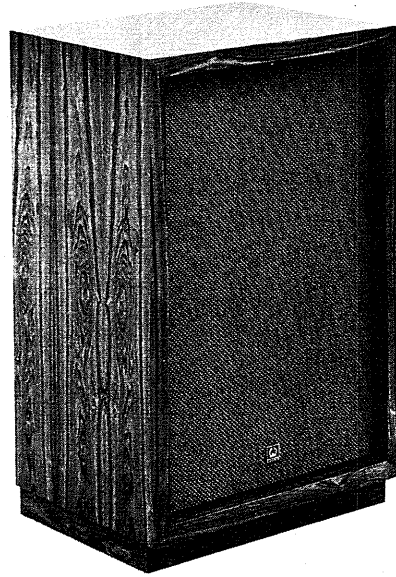
- S1 POWER SWITCH
- S2 LINE VOLTAGE SELECTOR
- S3 SHORT SWITCH

**SPEAKER SYSTEM**

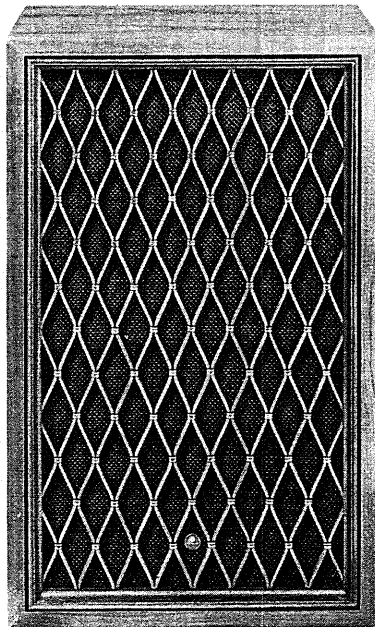
**SPEAKER SYSTEMS**



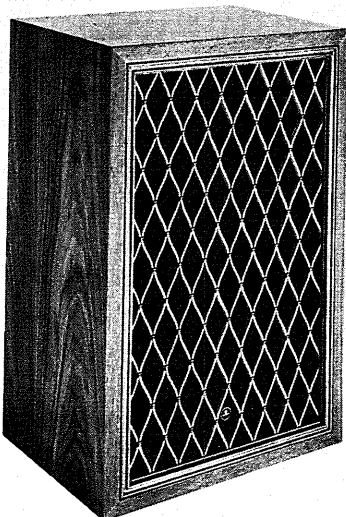
CS-5  
CS-7  
CS-8  
CS-10



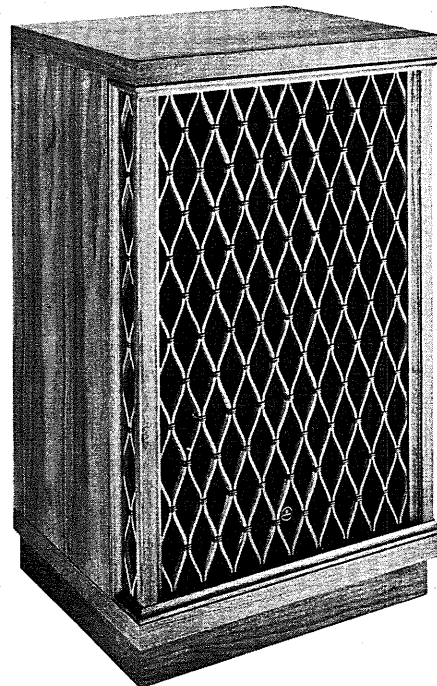
CS-15  
CS-30  
CS-40  
CS-50  
CS-60  
CS-100



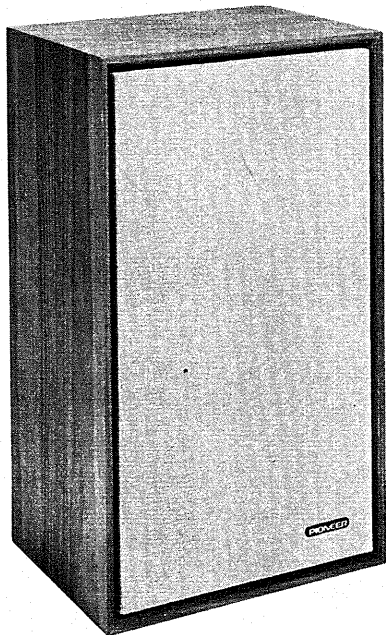
CS-22  
CS-33  
CS-44  
CS-55  
CS-66  
CS-77  
CS-88  
CS-99



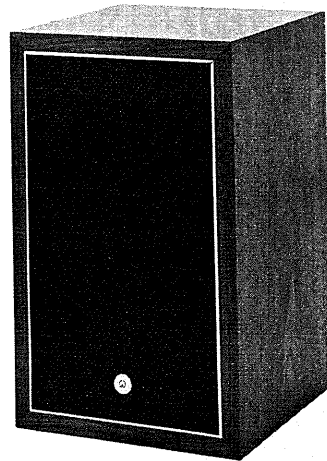
CS-22A  
CS-33A  
CS-77A  
CS-88A  
CS-99A



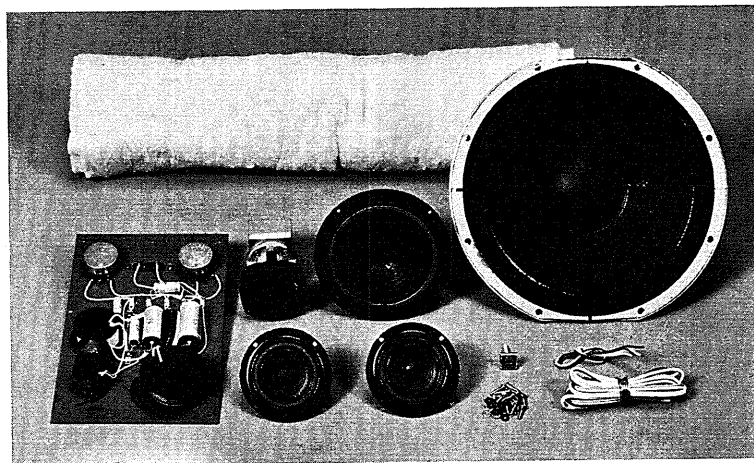
CS-A500  
CS-A700  
CS-A770



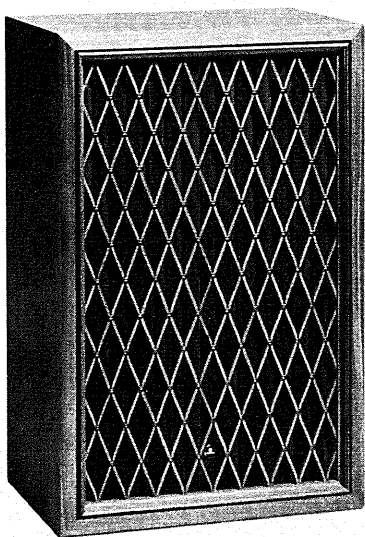
CS-E350  
 CS-E400  
 CS-E500  
 CS-E600  
 CS-E700  
 CS-E900



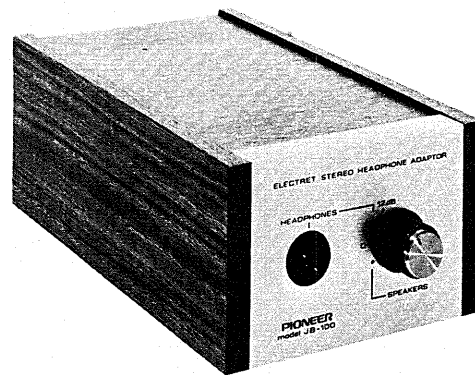
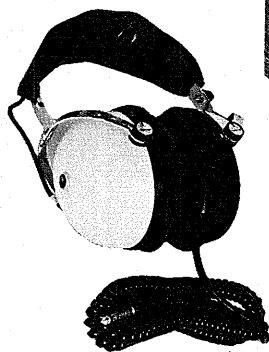
CS-51  
 CS-52  
 CS-52T  
 CS-53  
 CS-54



AS-200  
 AS-303A  
 AS-305A



CS-63  
 CS-63A  
 CS-63DX  
 CS-05

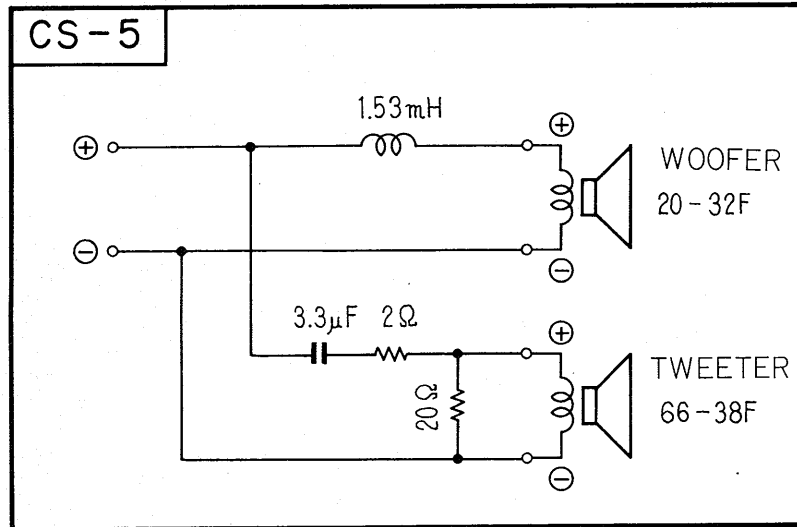


JB-100  
 SE-50

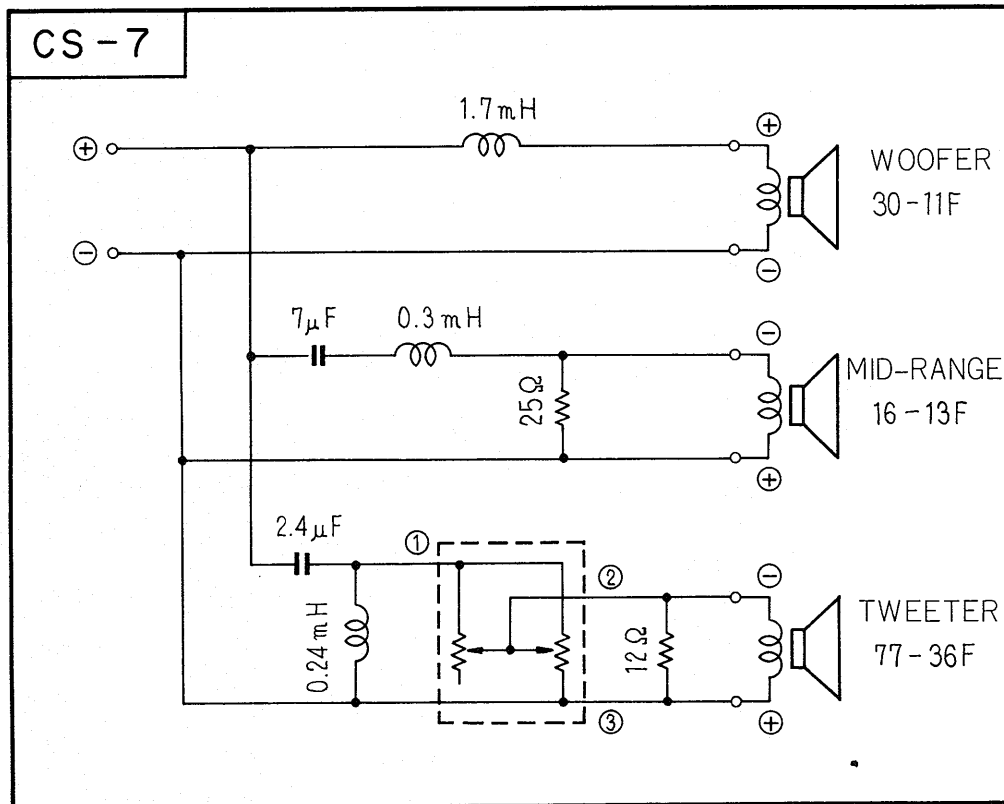


# SPEAKER SYSTEM

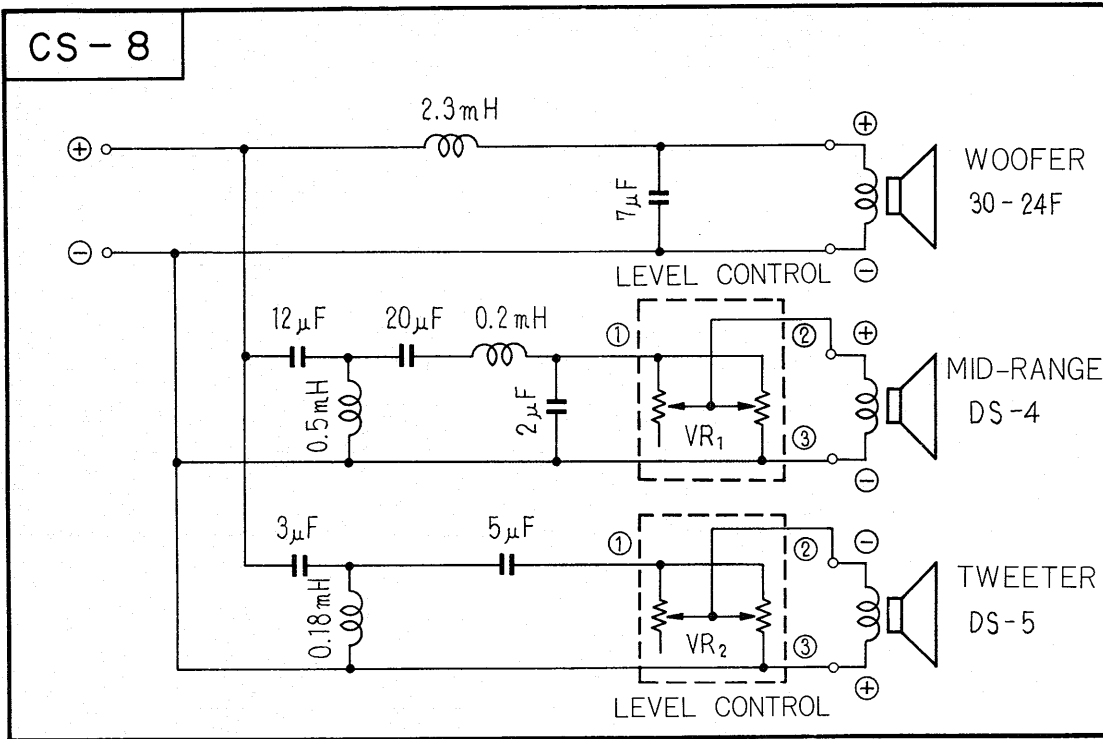
Model CS-5



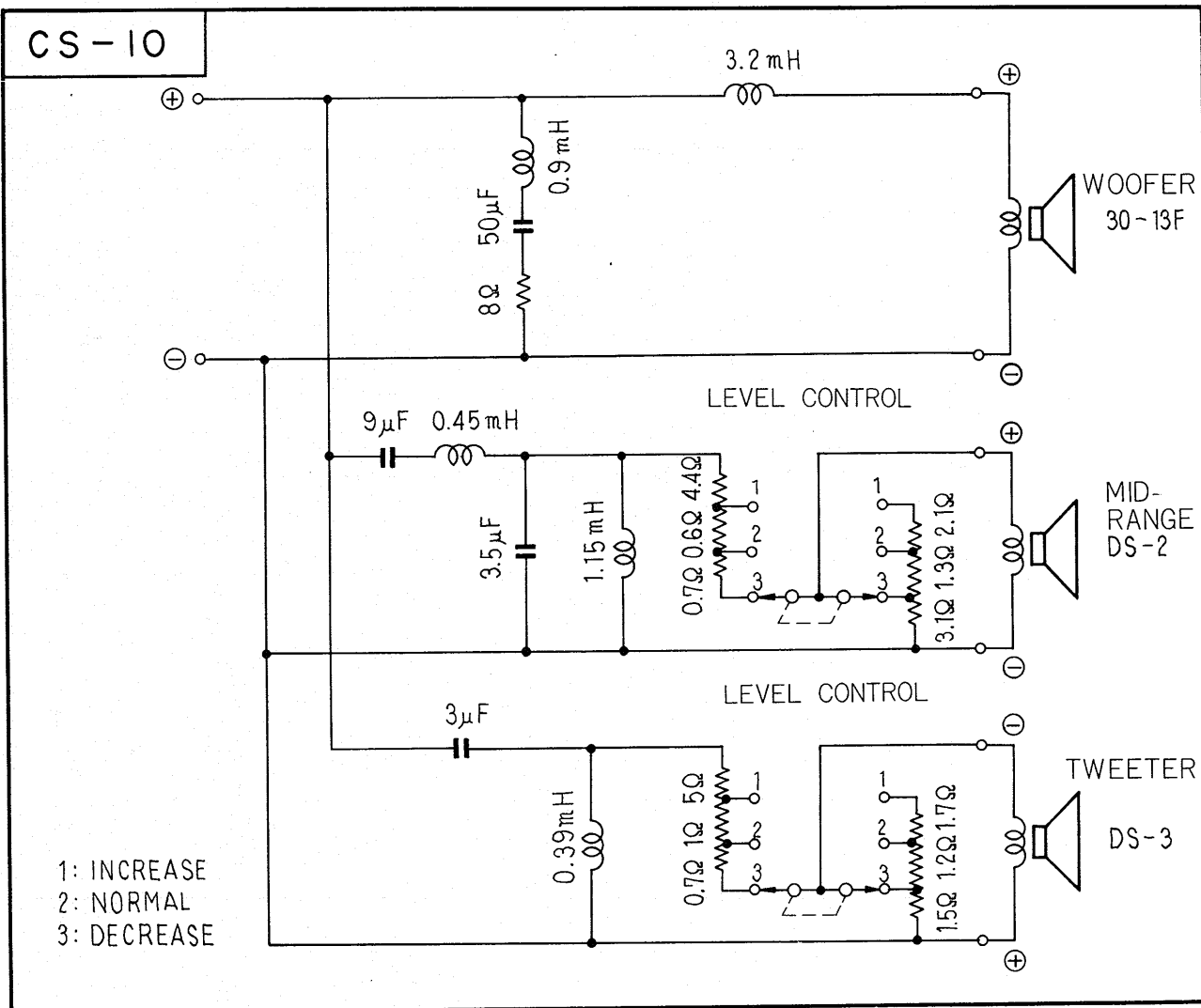
Model CS-7



Model CS-8

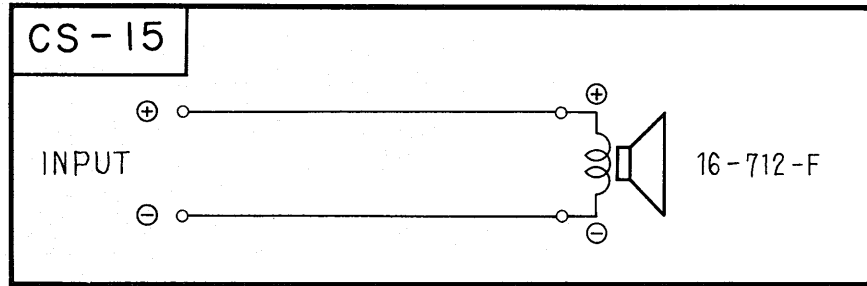


Model CS-10

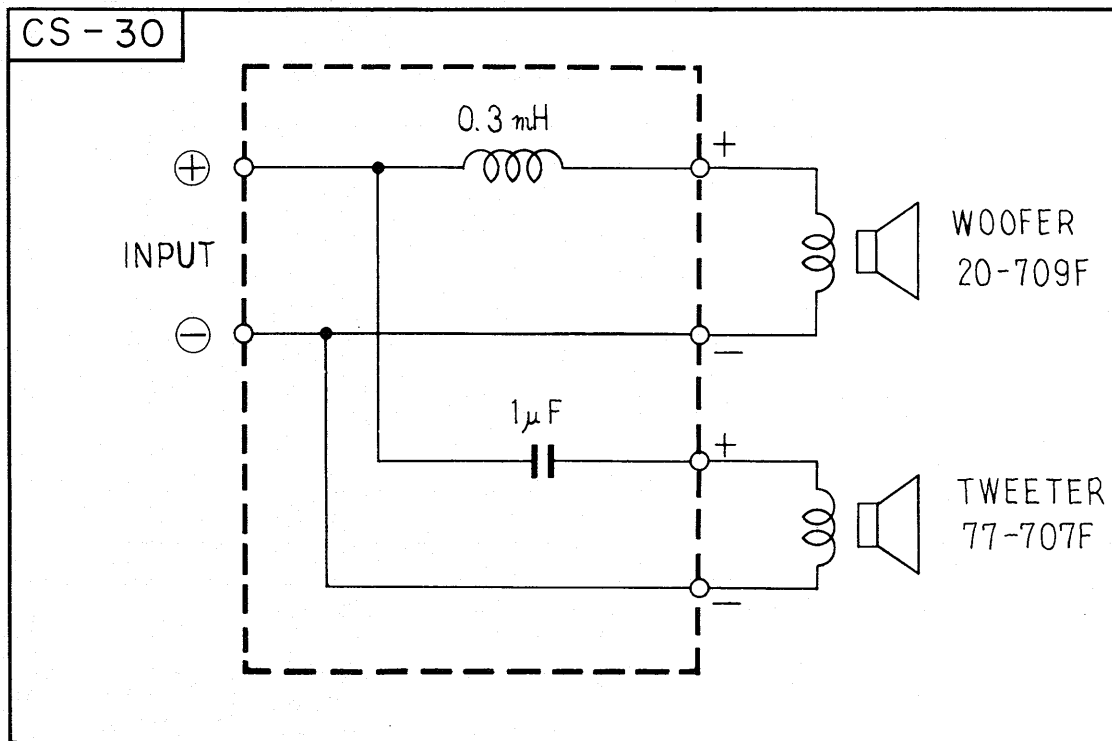


# SPEAKER SYSTEM

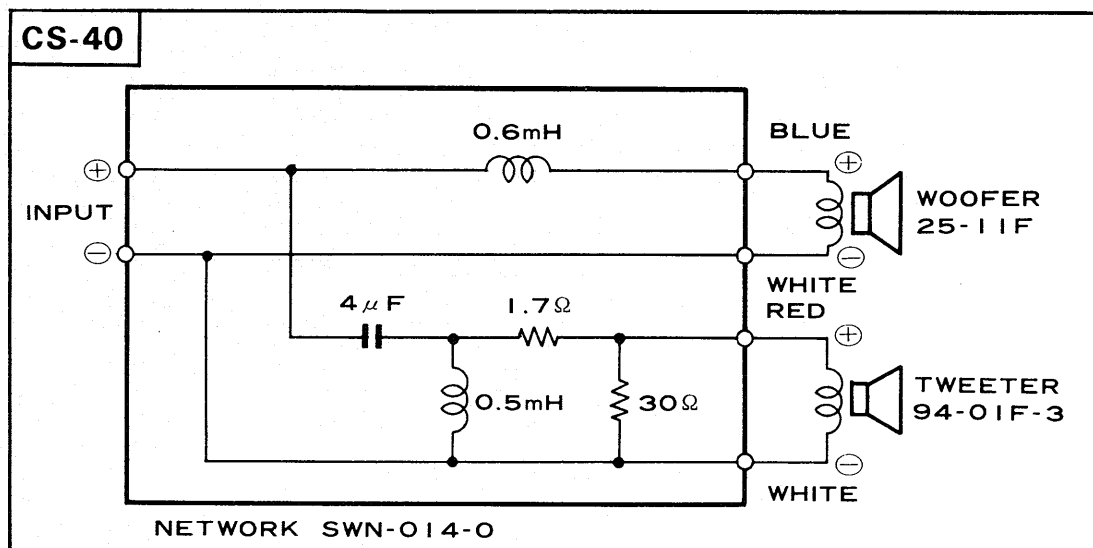
Model CS-15



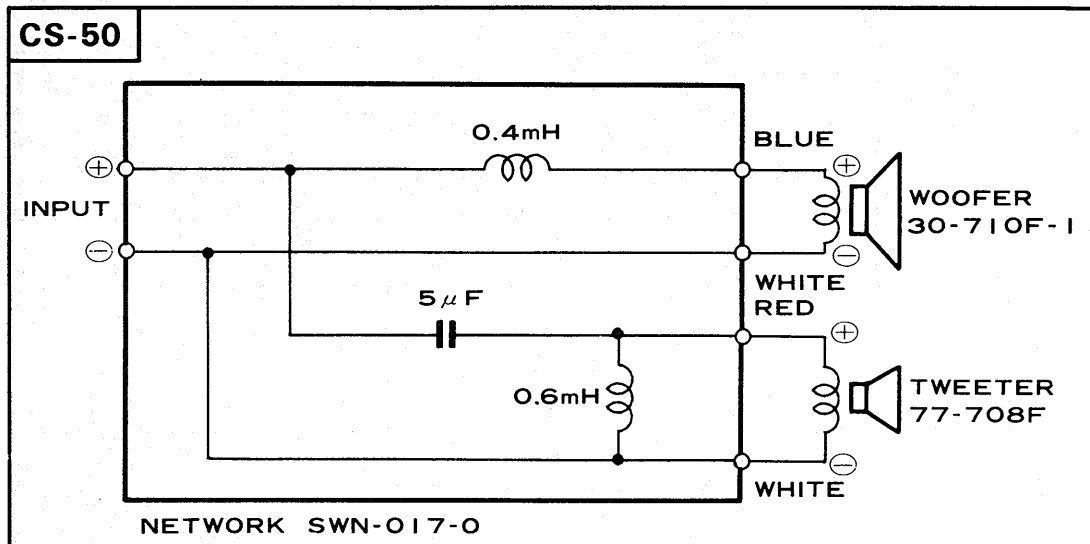
Model CS-30



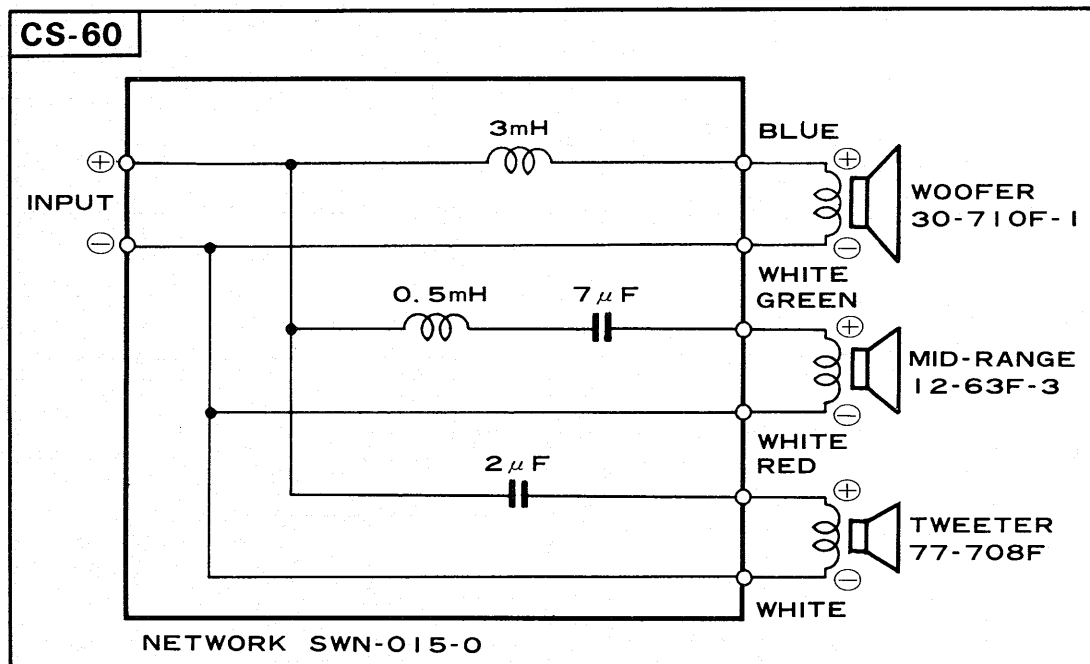
Model CS-40



Model CS-50

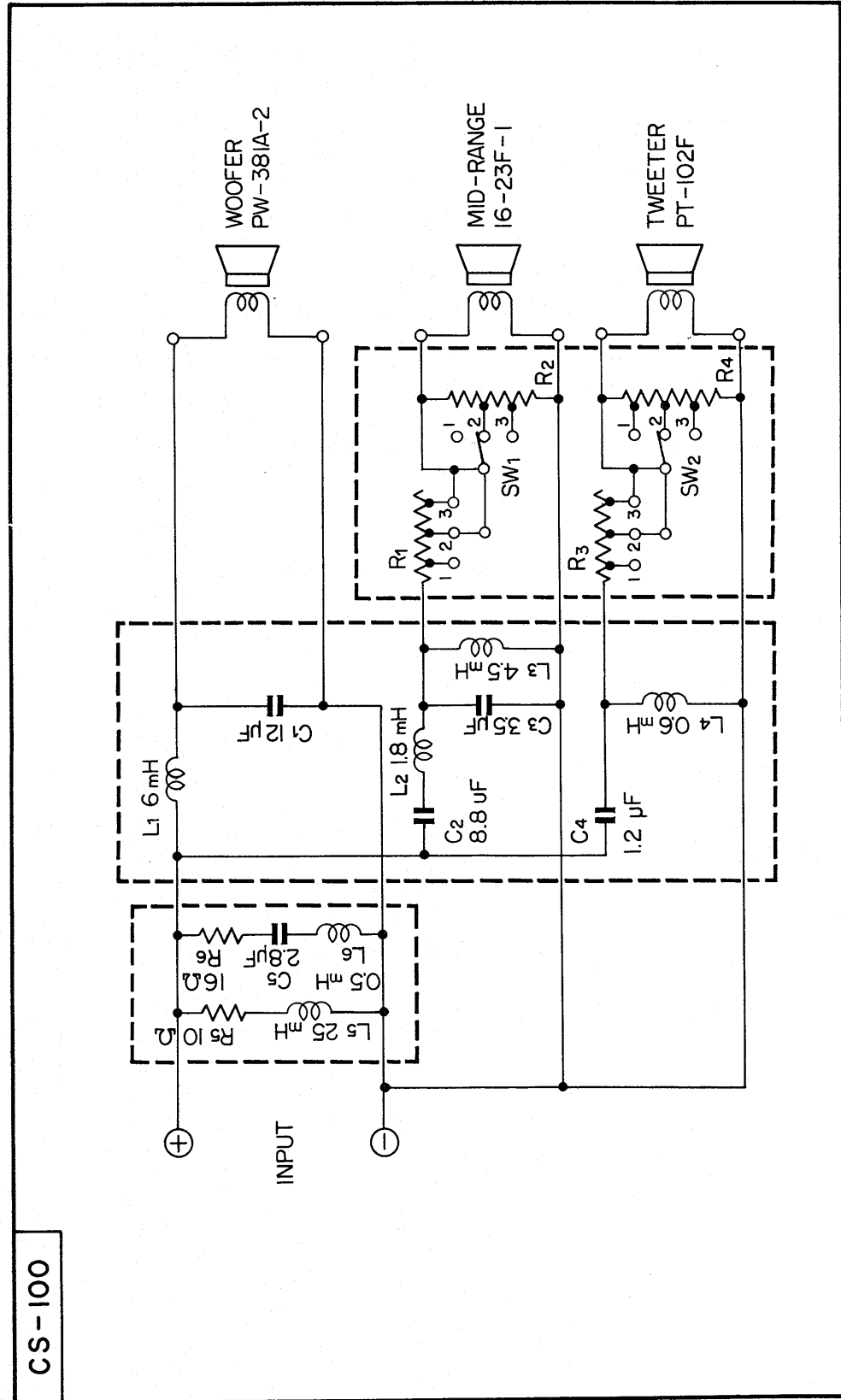


Model CS-60

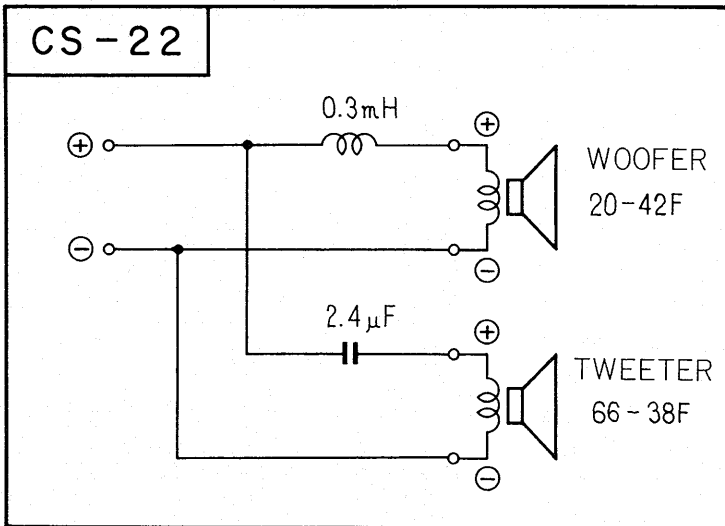


# SPEAKER SYSTEM

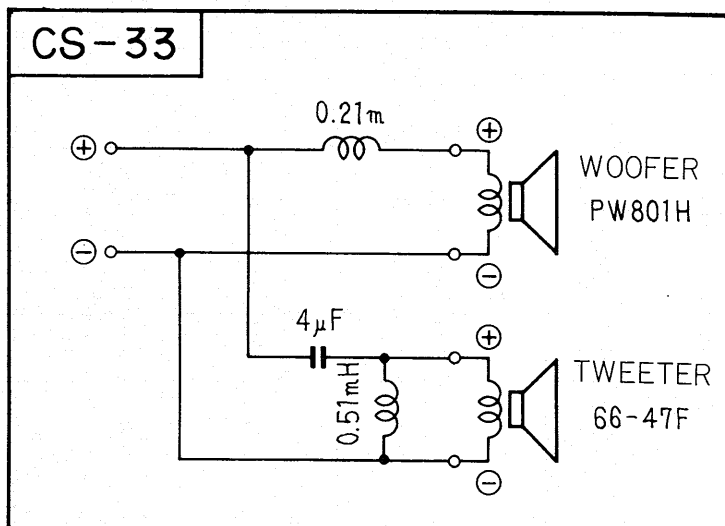
Model CS-100



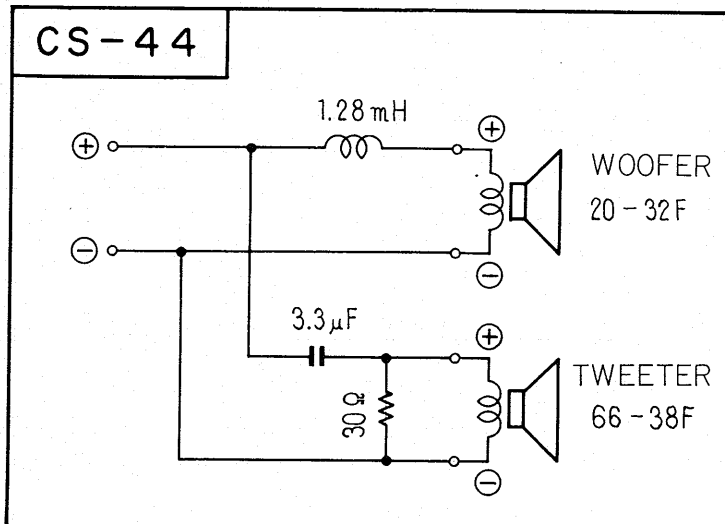
Model CS-22



Model CS-33

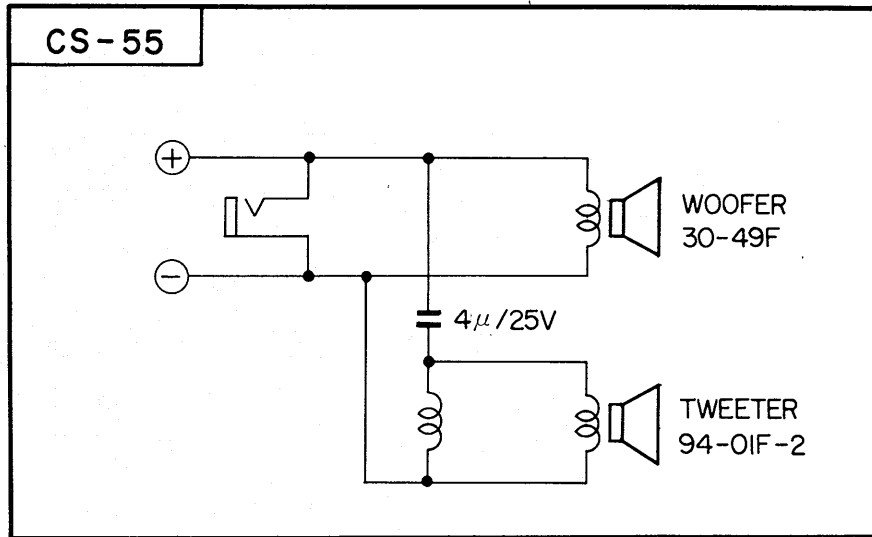


Model CS-44

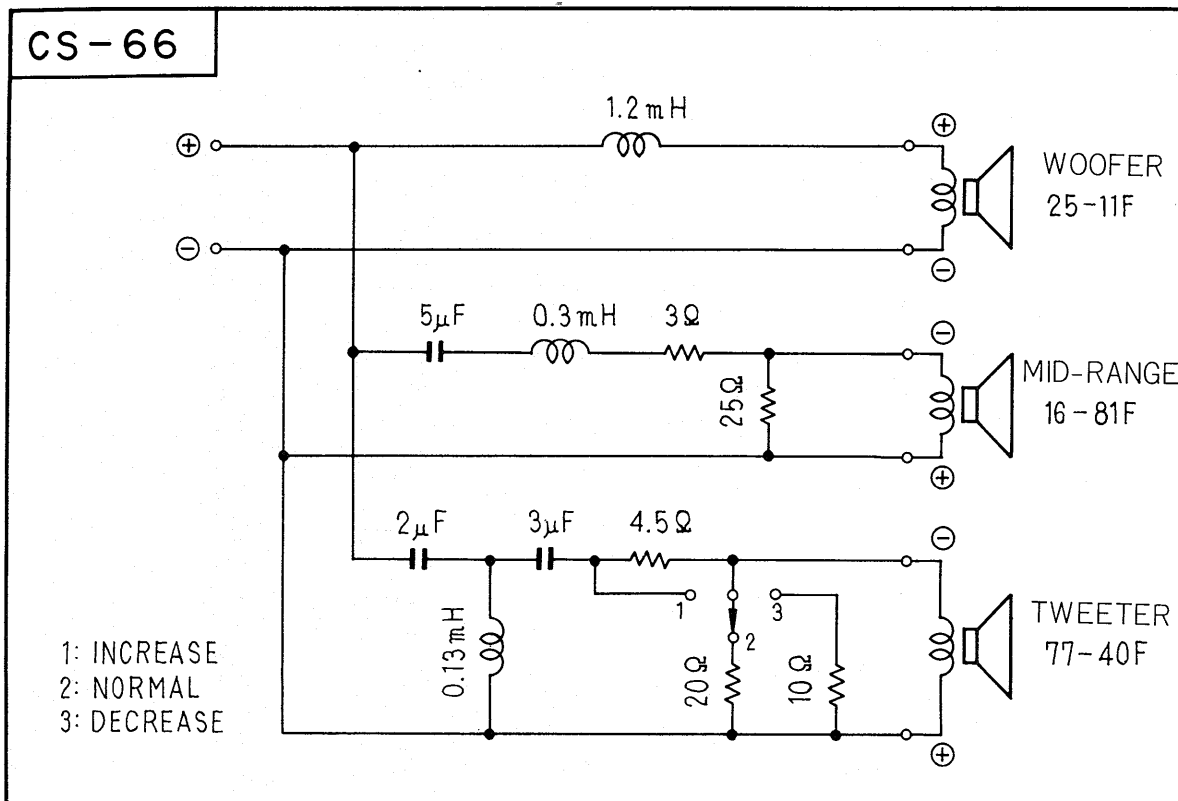


# SPEAKER SYSTEM

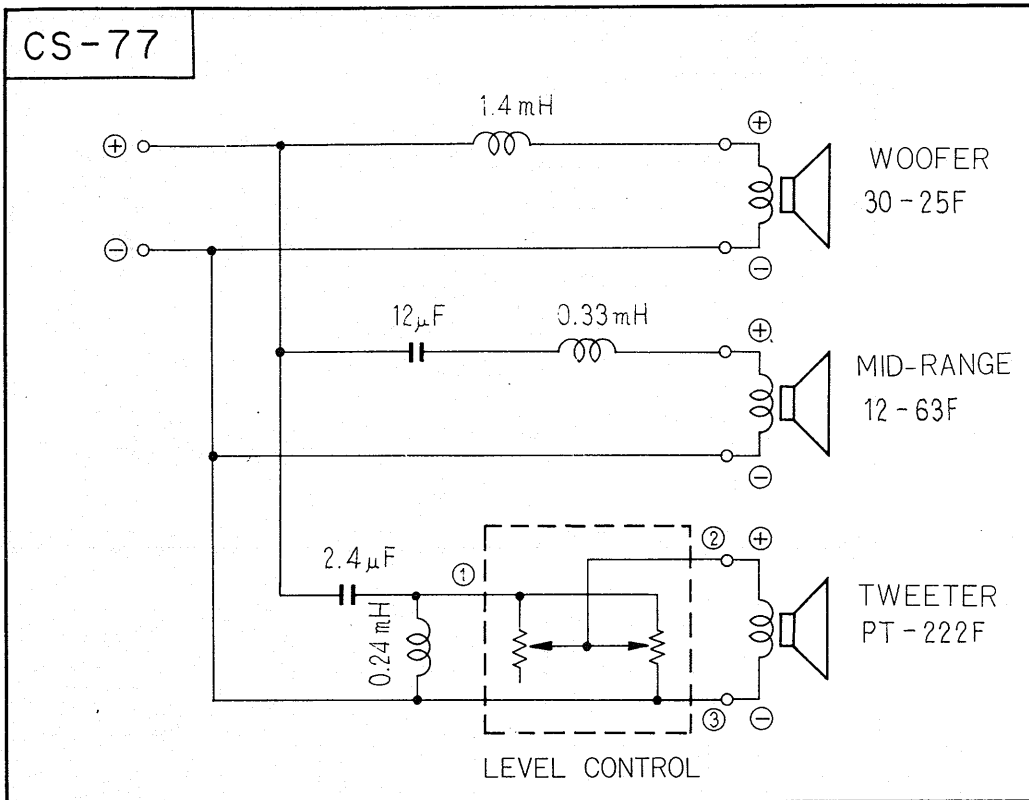
Model CS-55



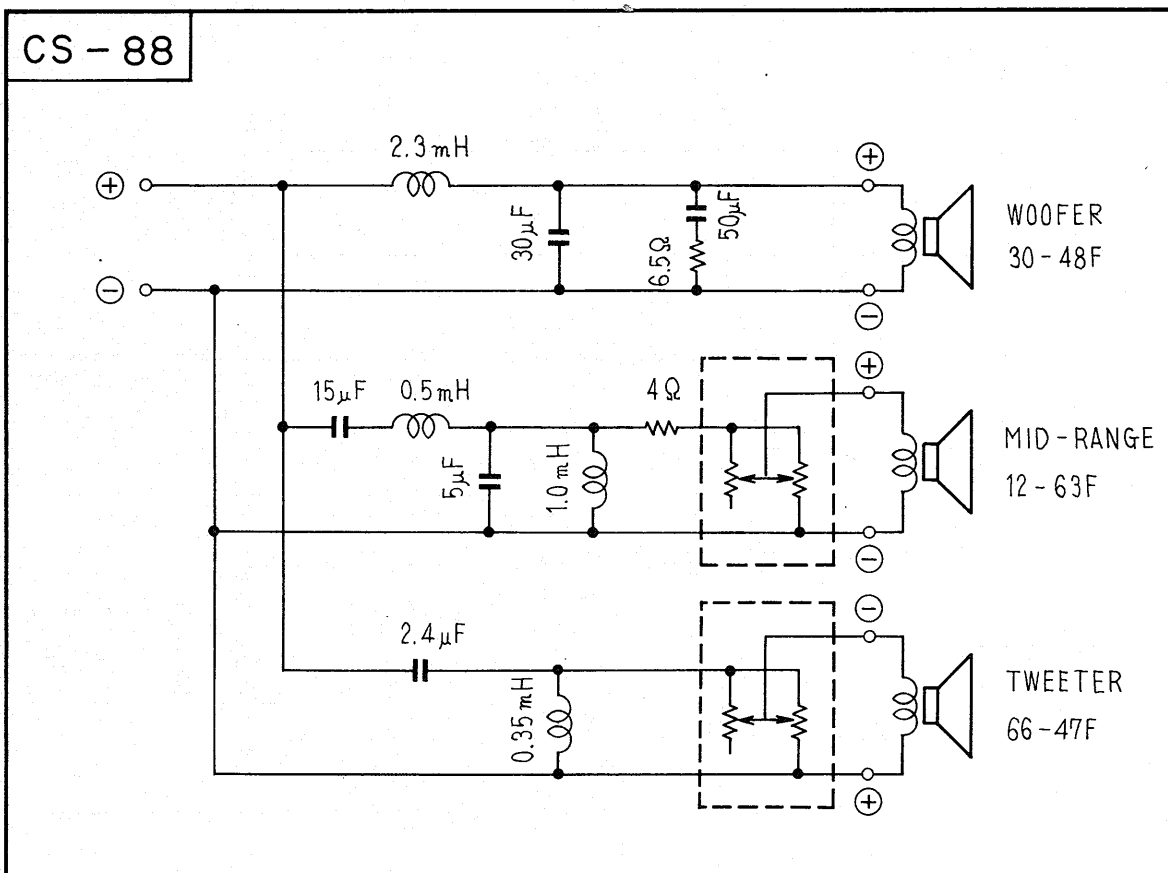
Model CS-66



Model CS-77



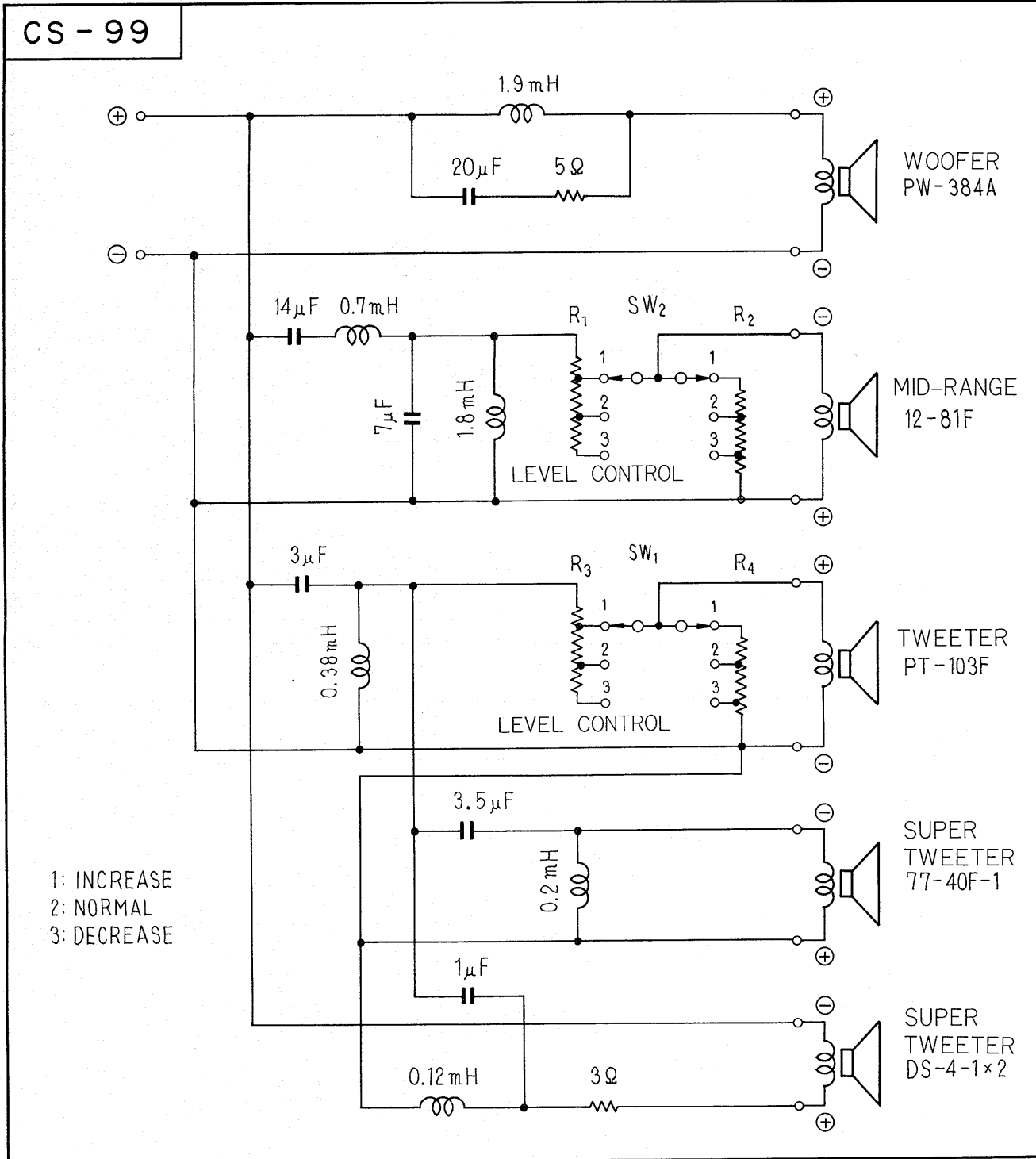
Model CS-88



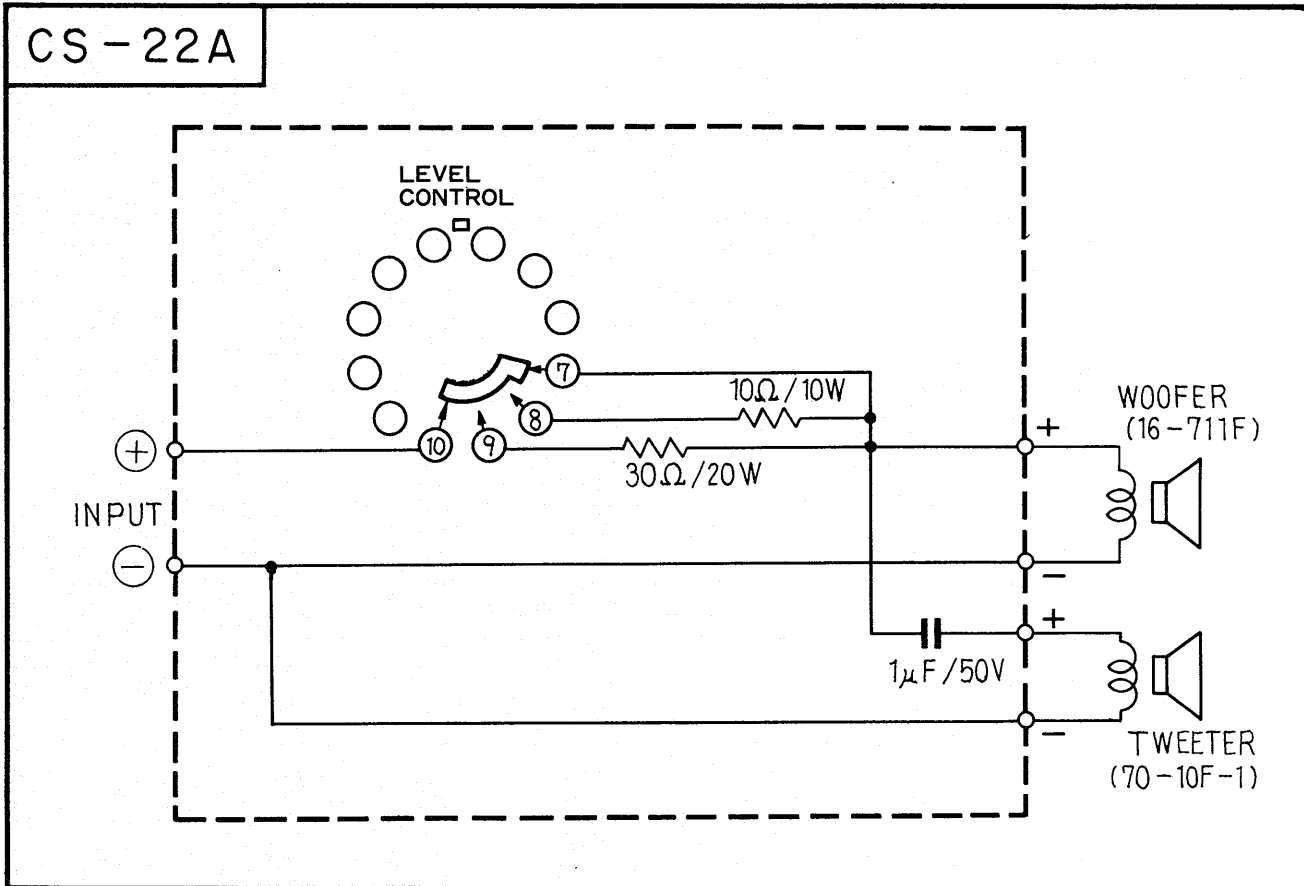


# SPEAKER SYSTEM

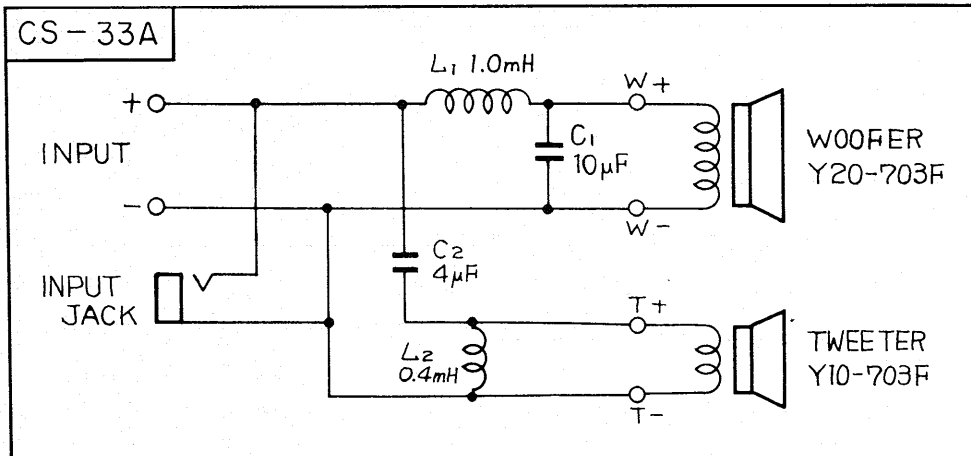
Model CS-99



Model CS-22A

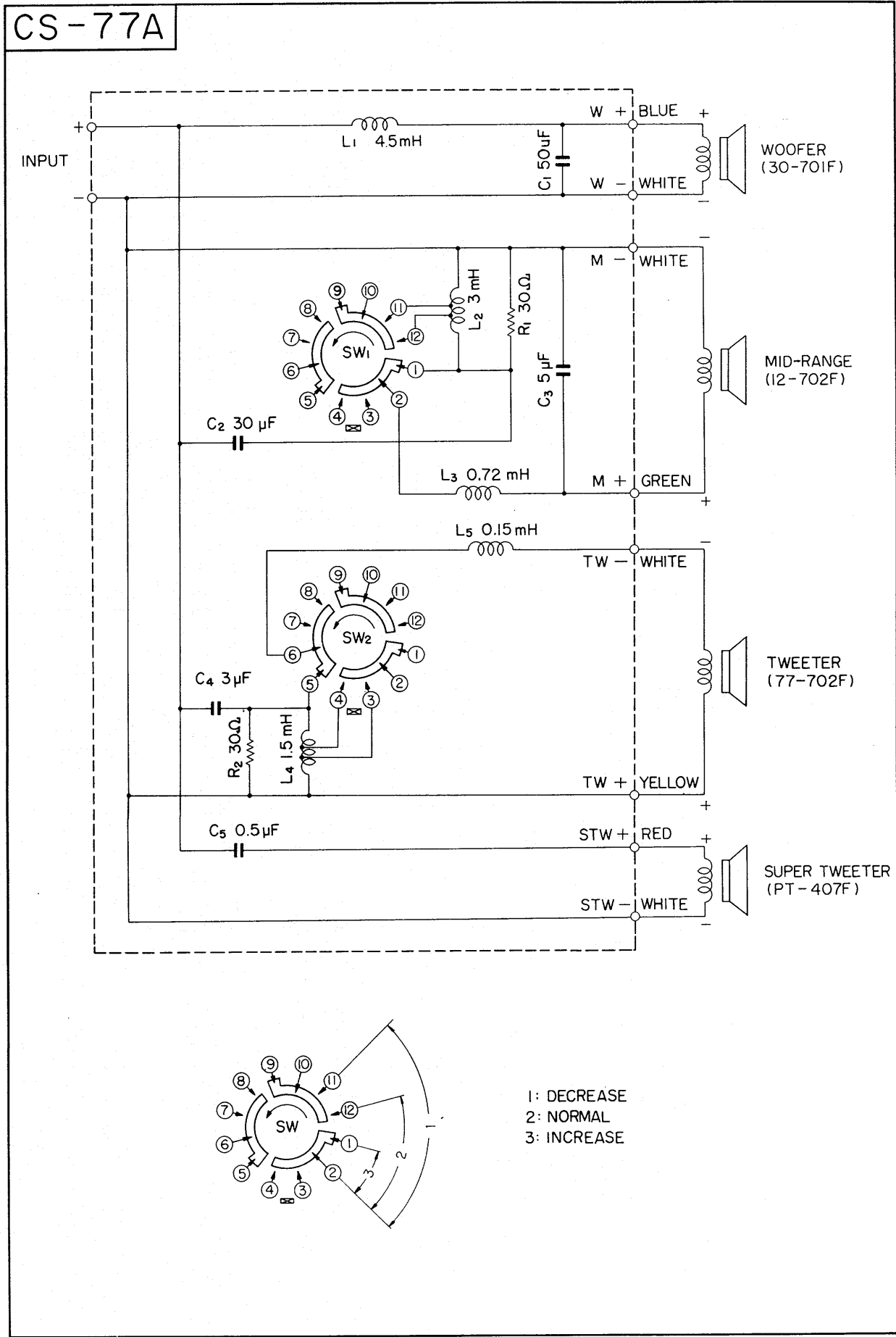


Model CS-33A

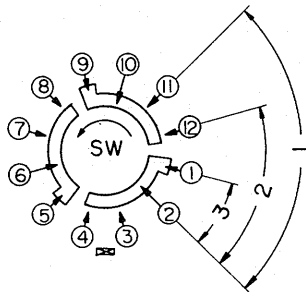
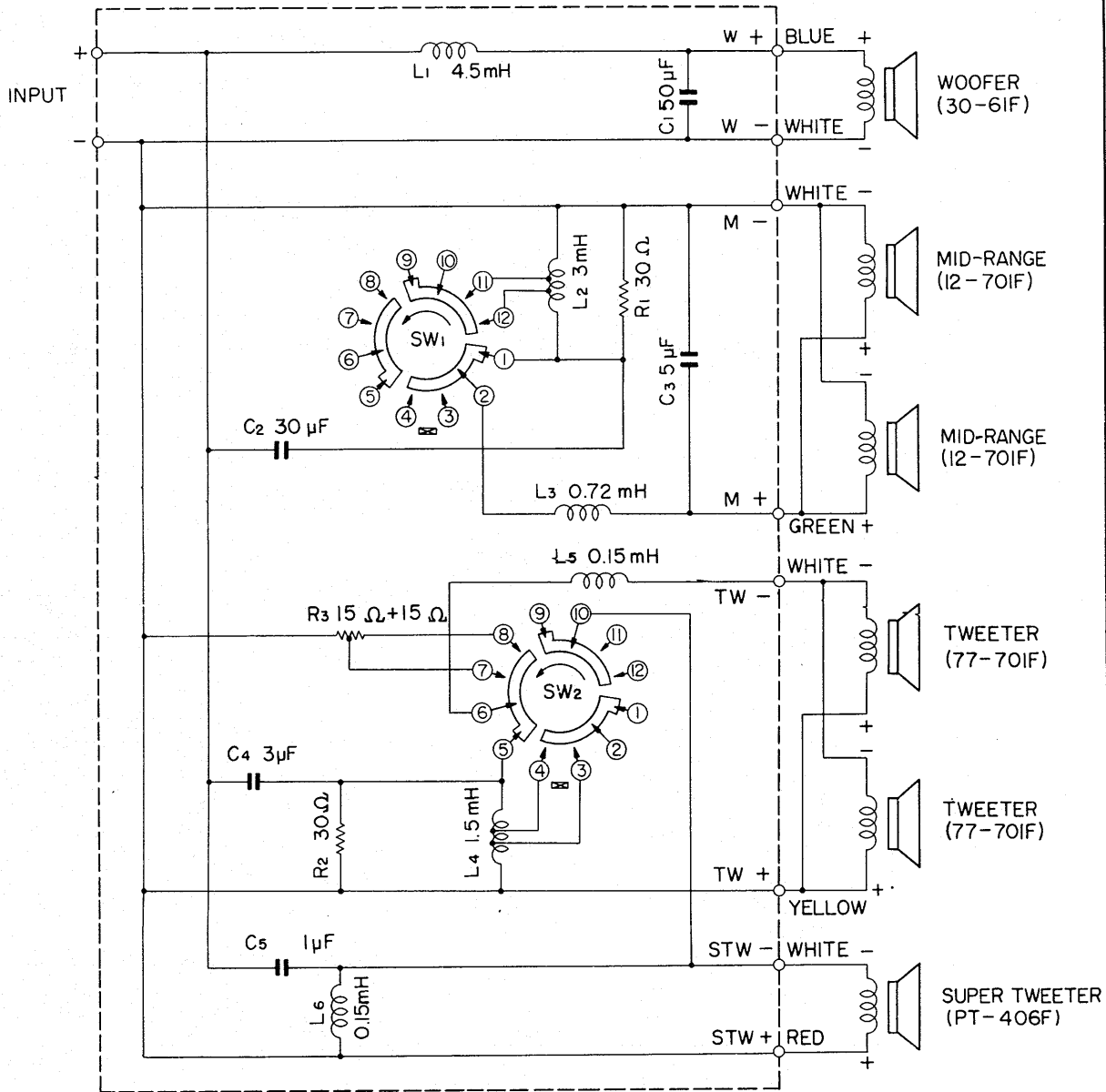


# SPEAKER SYSTEM

Model CS-77A



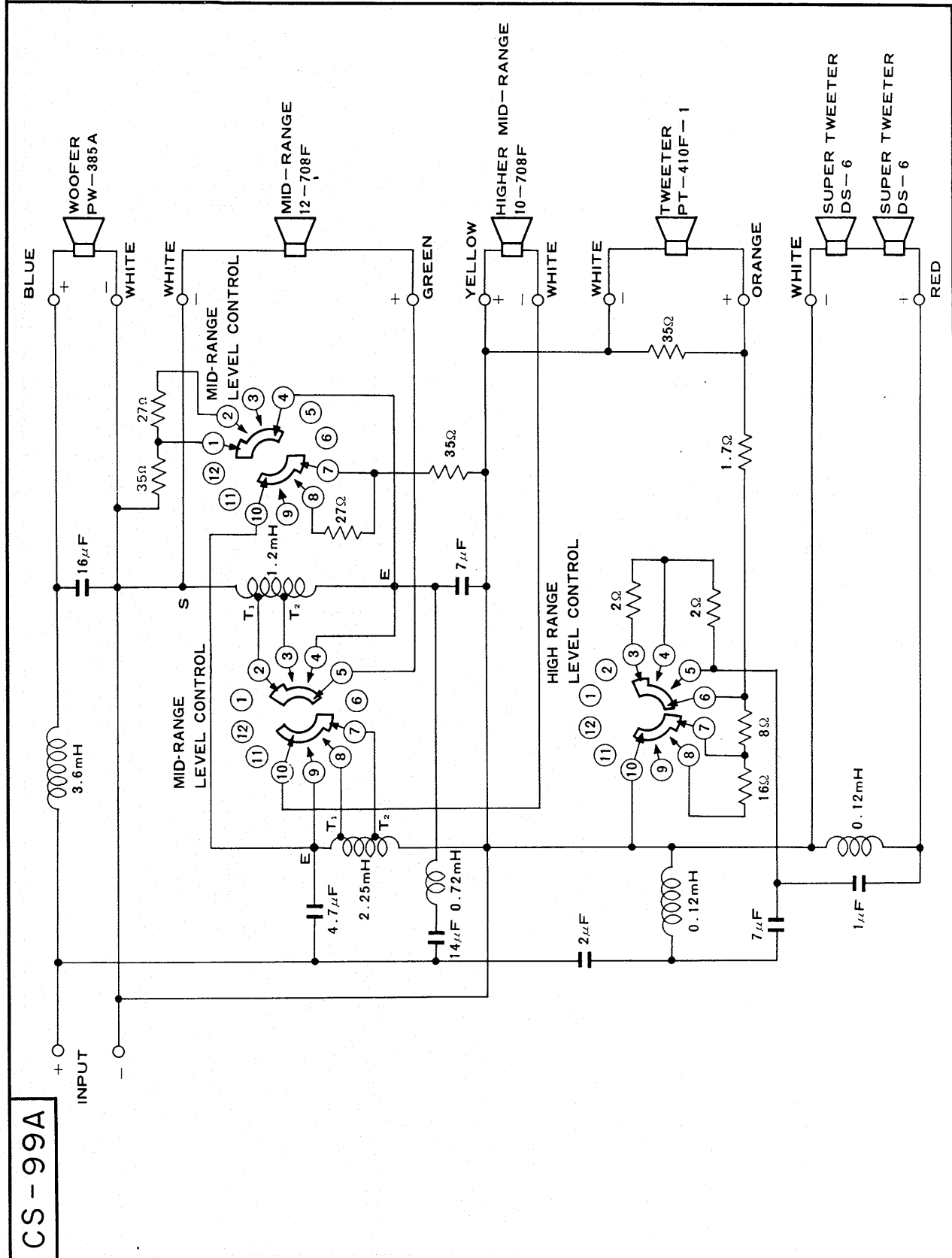
CS-88A



- 1 : DECREASE
- 2 : NORMAL
- 3 : INCREASE

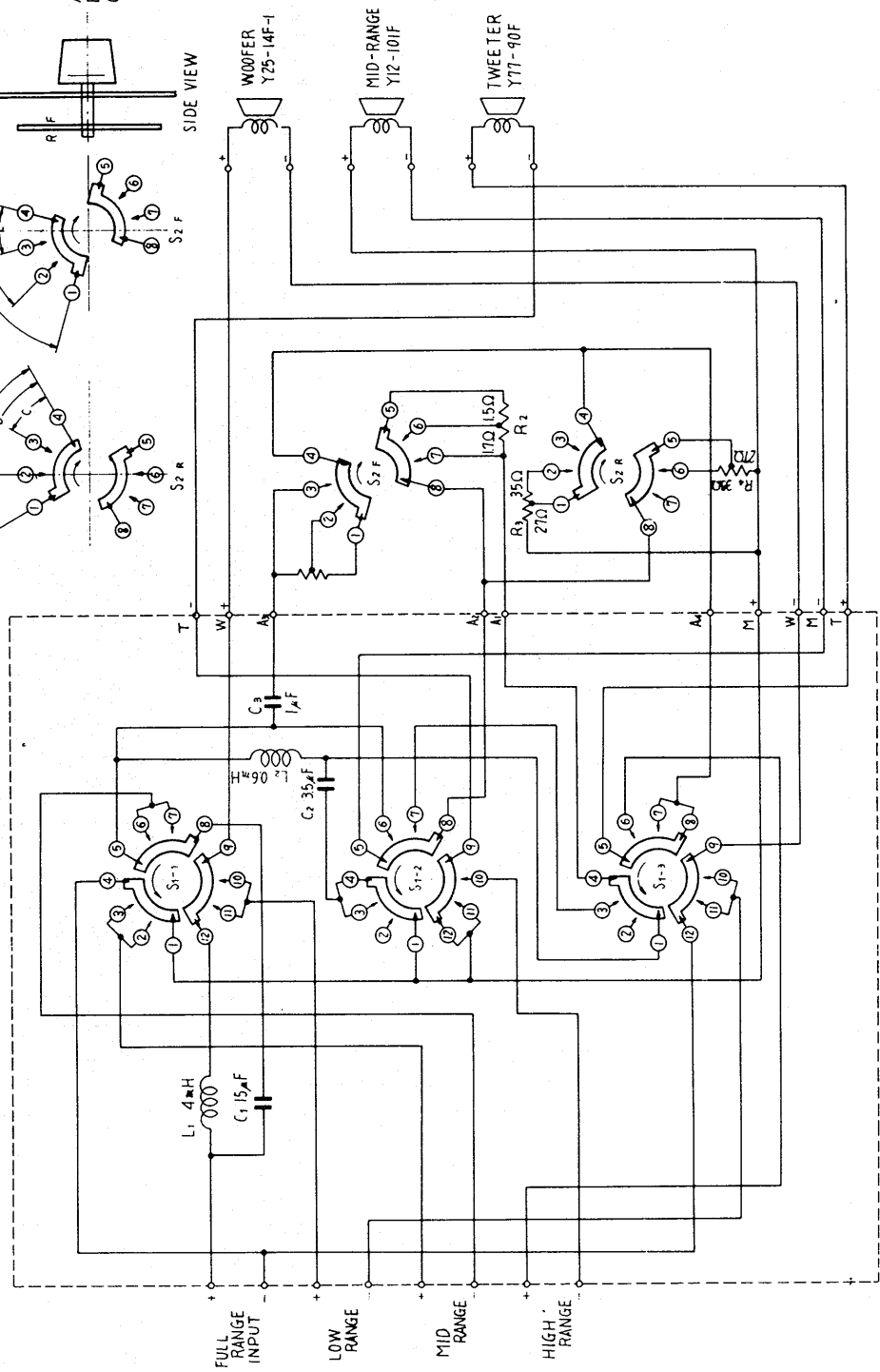
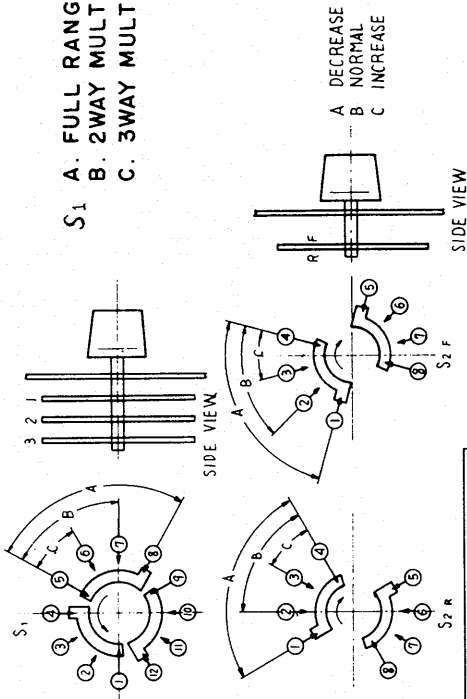
# SPEAKER SYSTEM

Model CS-99A



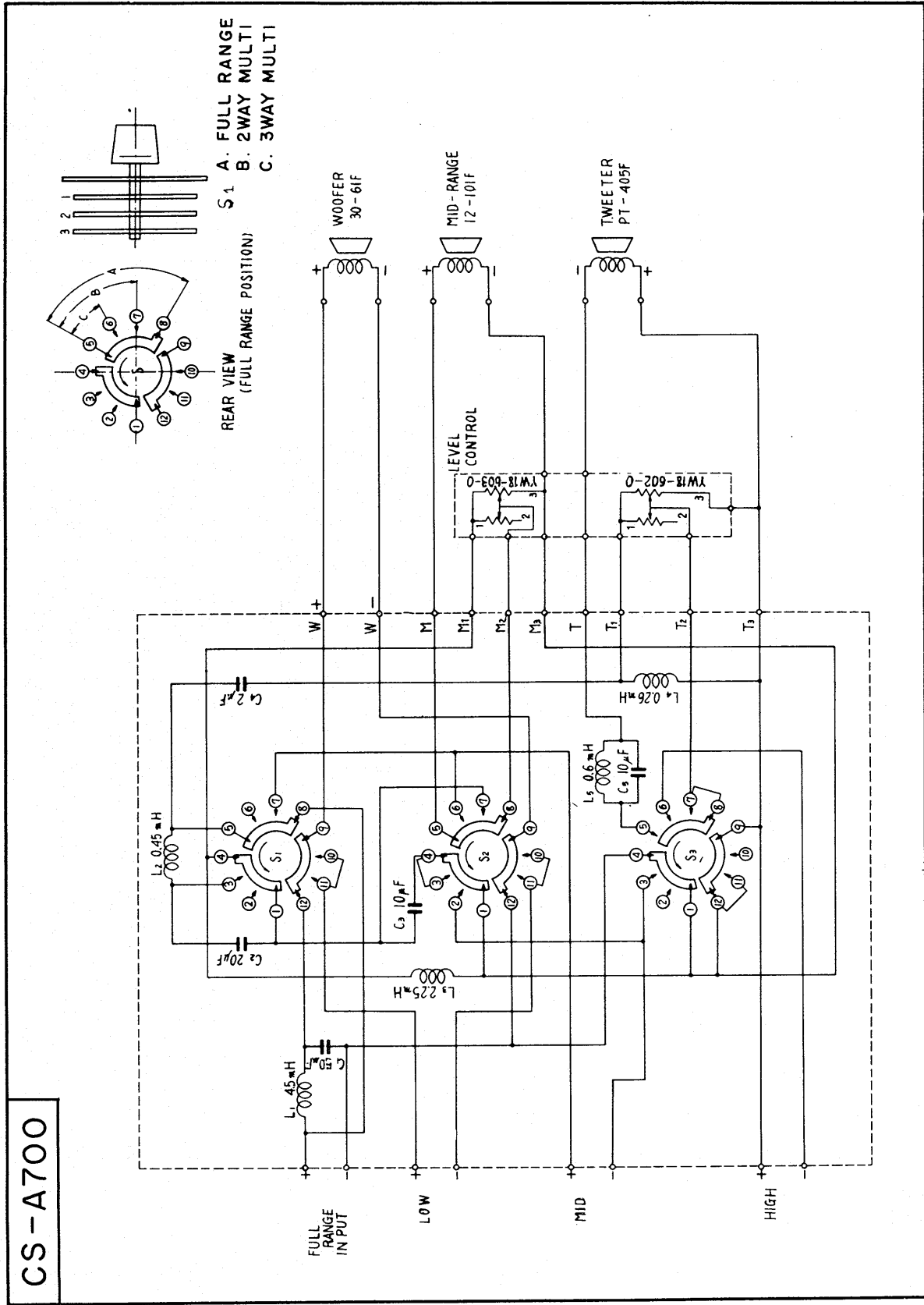
CS-A500

- S1 A. FULL RANGE
- B. 2WAY MULTI
- C. 3WAY MULTI

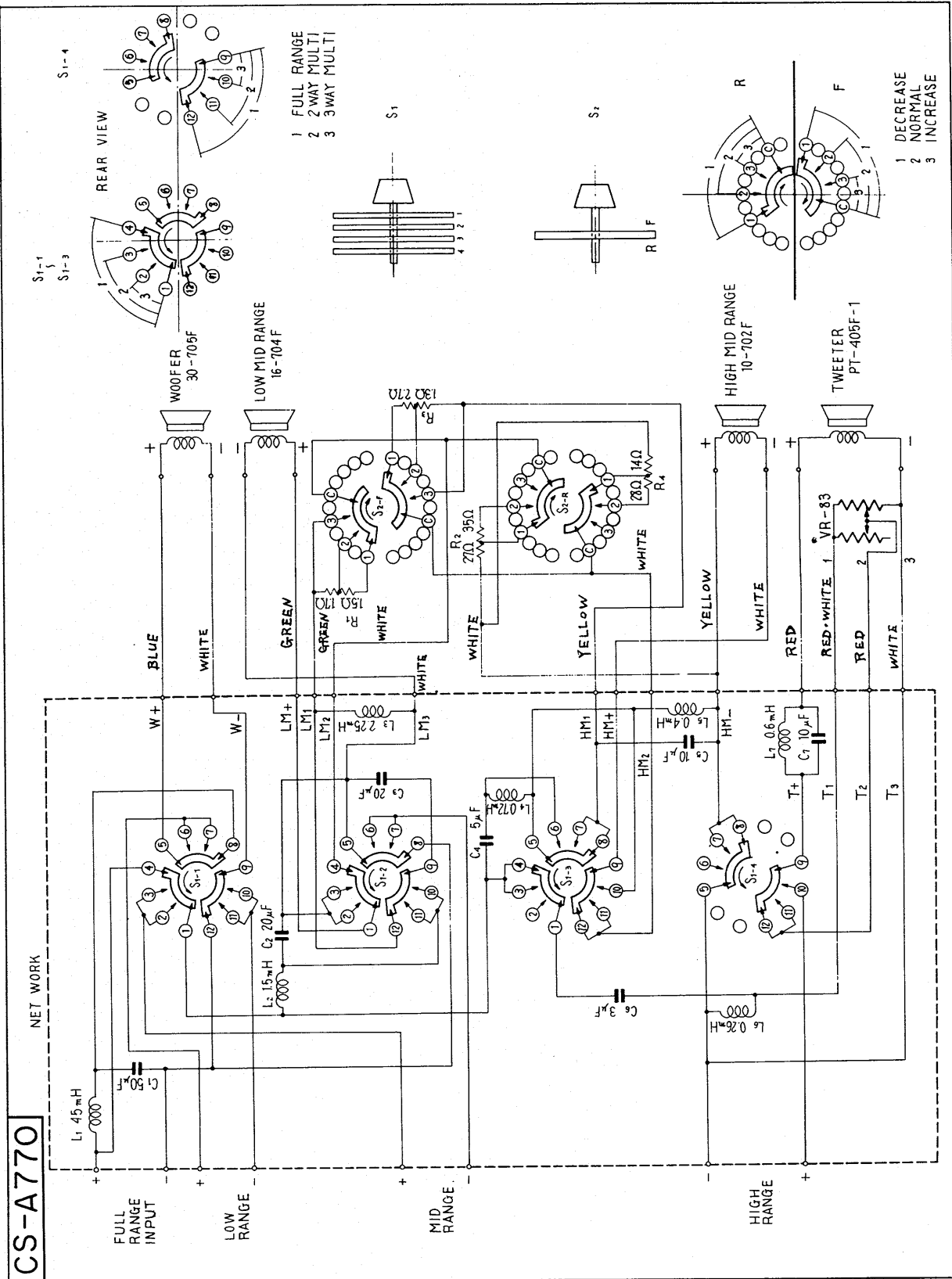


# SPEAKER SYSTEM

Model CS-A700



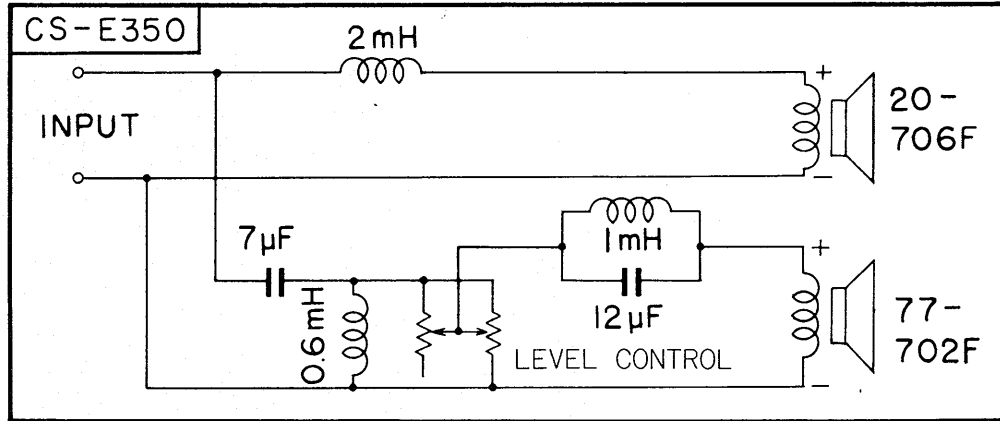
CS-A700



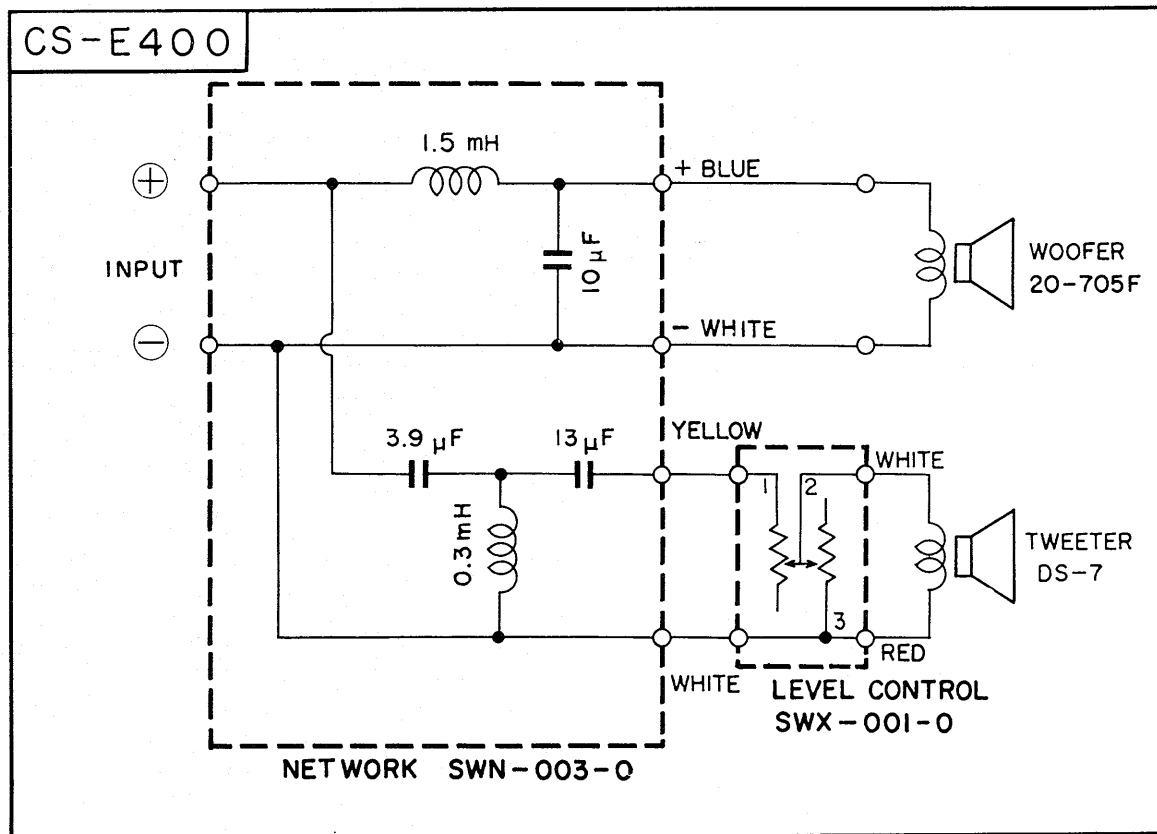


# SPEAKER SYSTEM

Model CS-E350

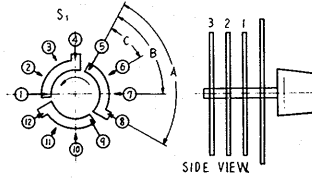


Model CS-E400

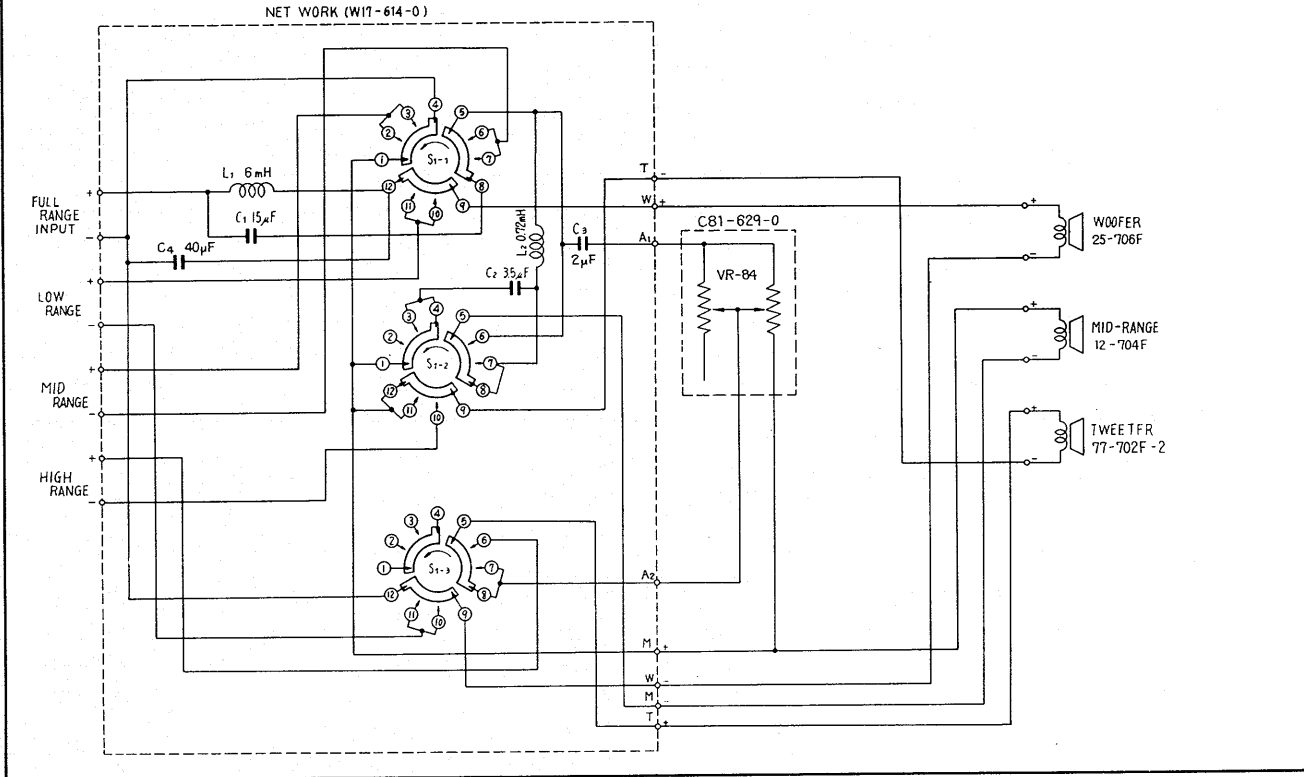


Model CS-E500

CS-E500



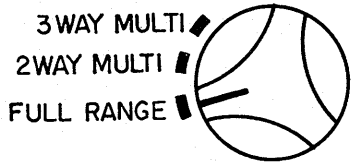
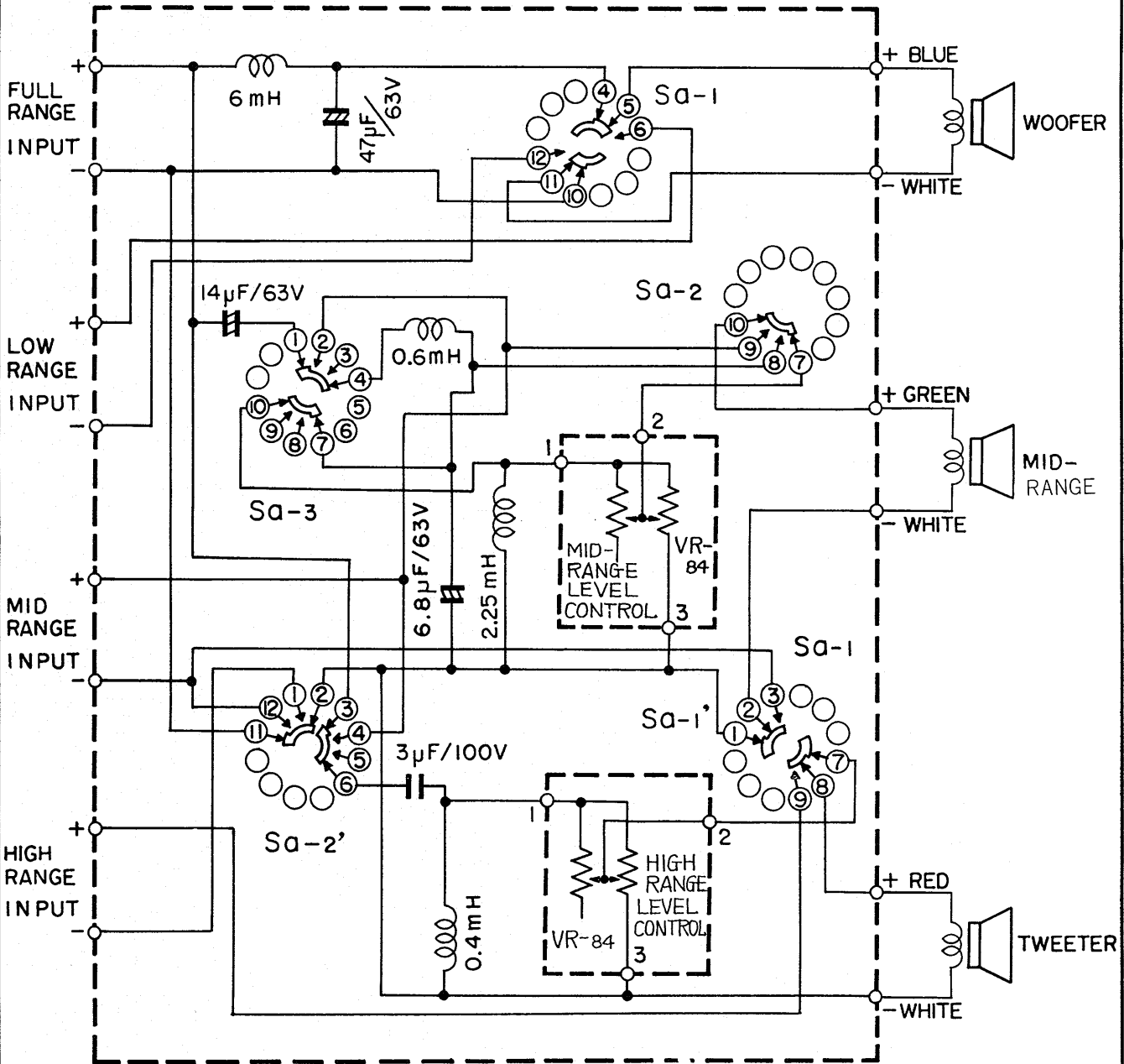
- S<sub>1</sub> A. FULL RANGE  
 B. 2WAY MULTI  
 C. 3WAY MULTI



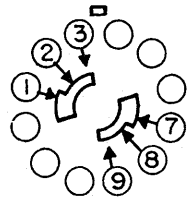
# SPEAKER SYSTEM

Model CS-E600

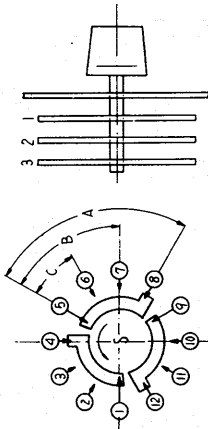
CS-E600



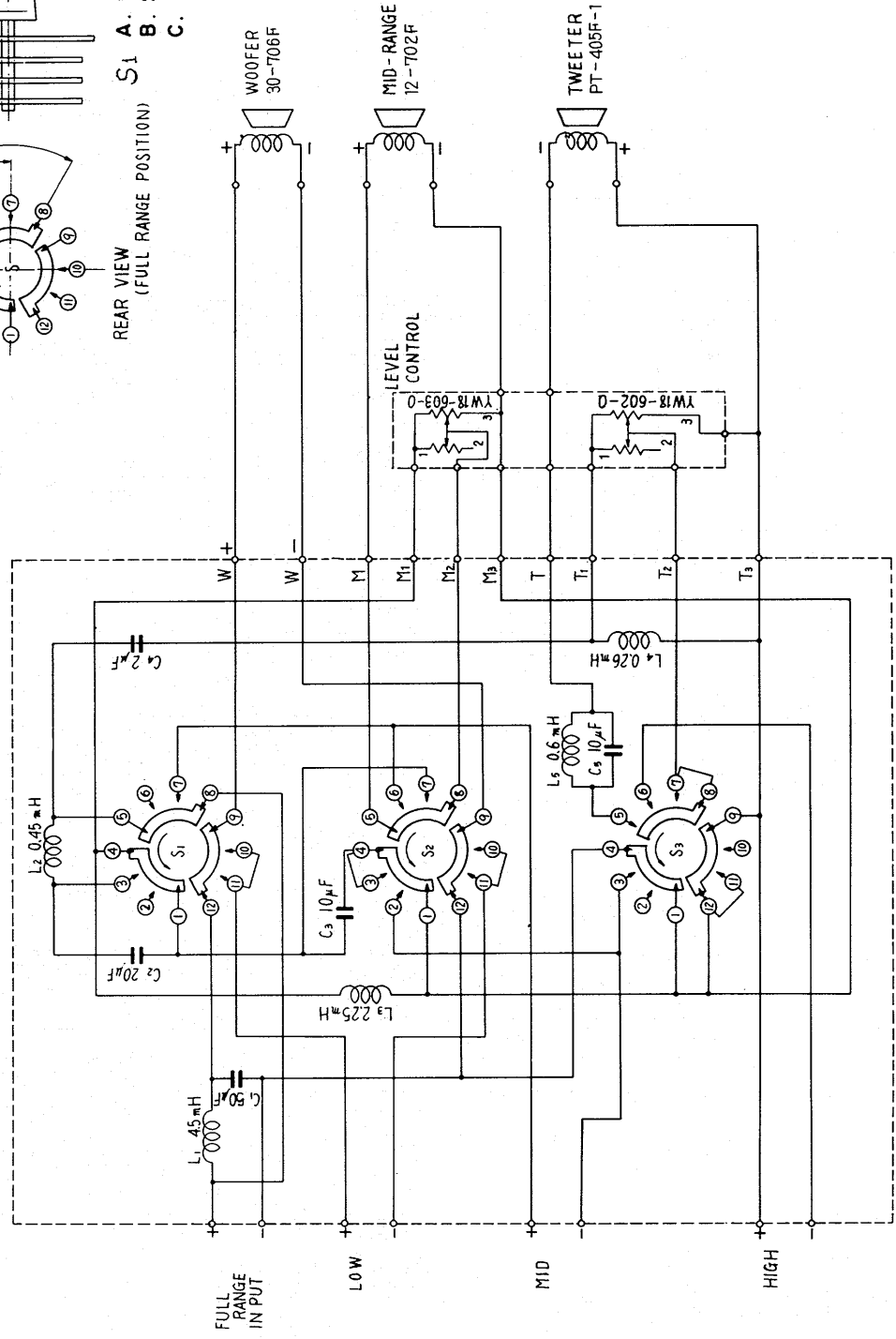
Sa 1~3



CS-E700

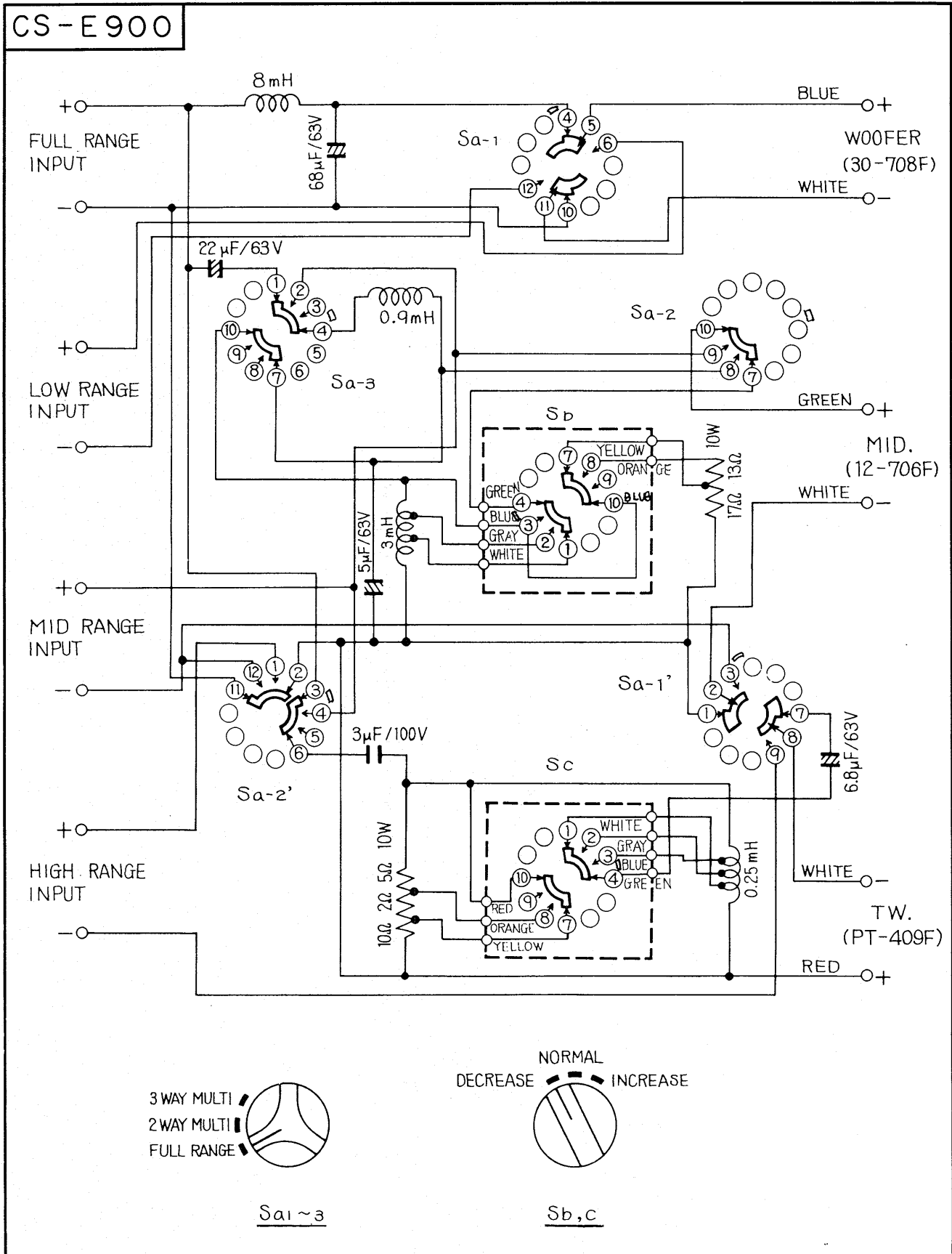


REAR VIEW  
(FULL RANGE POSITION)  
S1 A. FULL RANGE  
B. 2WAY MULTI  
C. 3WAY MULTI

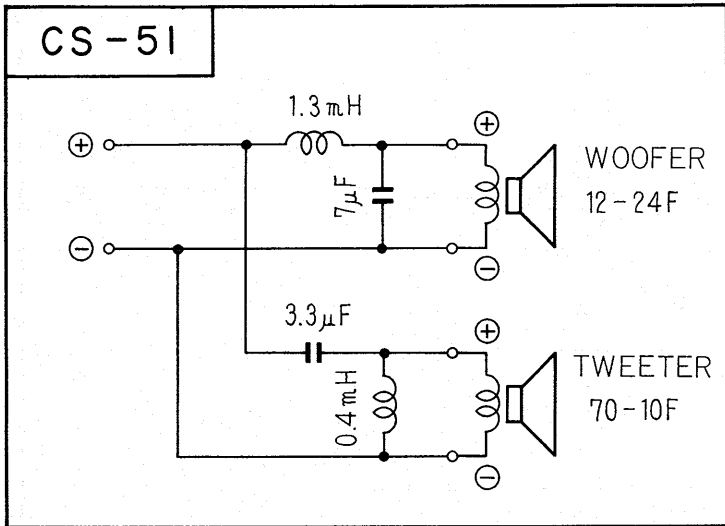


# SPEAKER SYSTEM

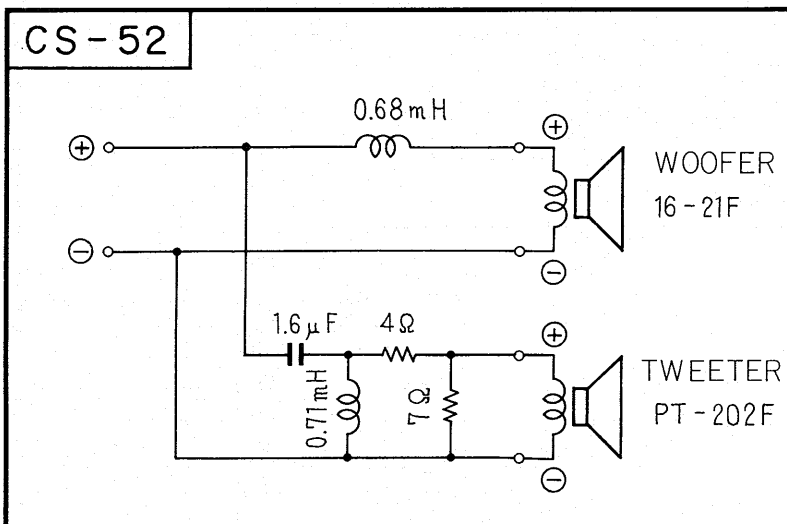
Model CS-E900



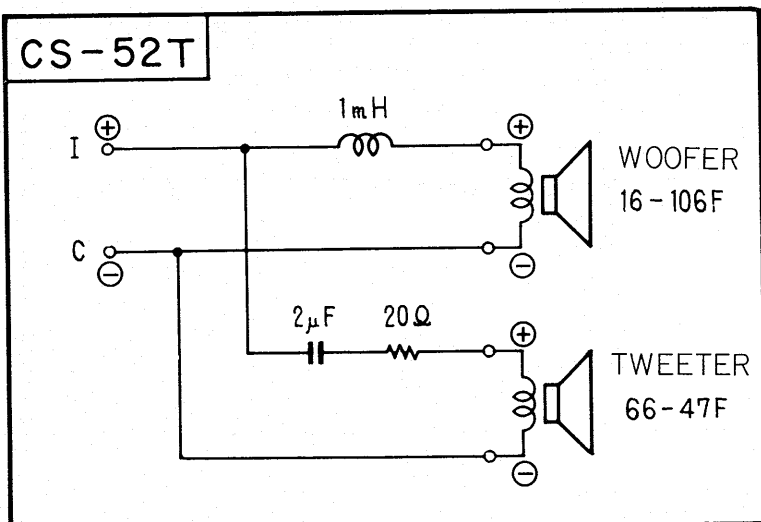
Model CS-51



Model CS-52

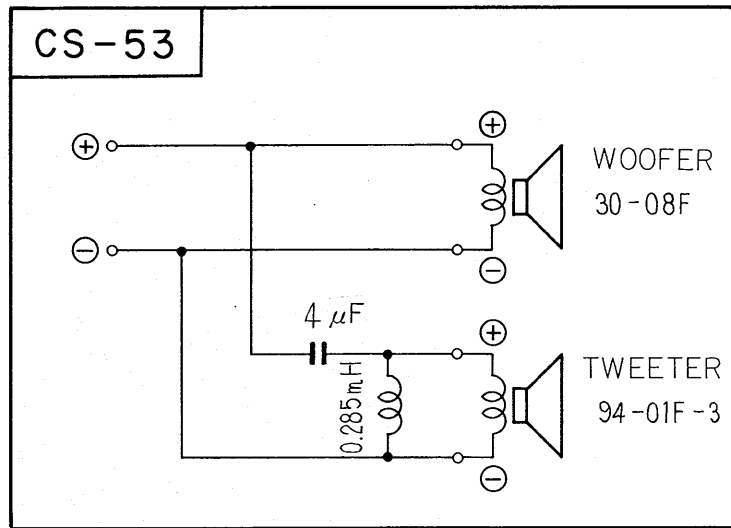


Model CS-52T

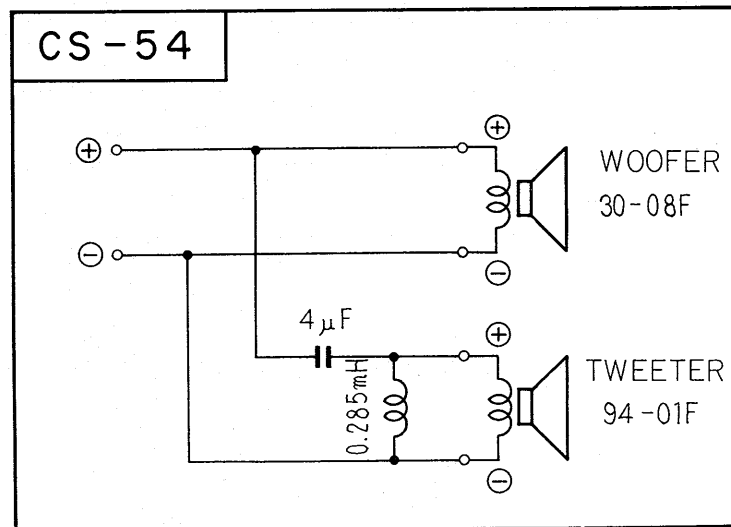


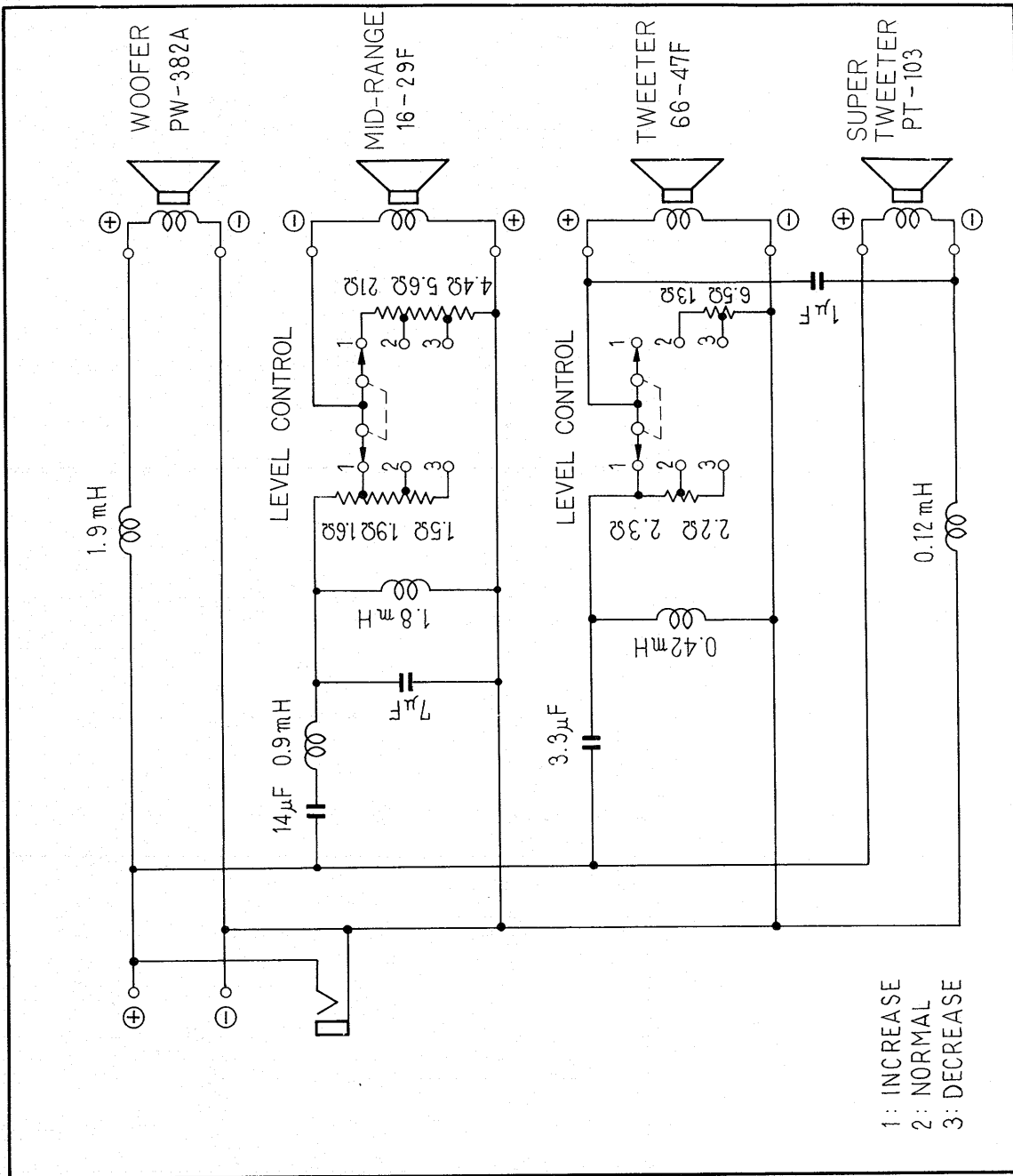
# SPEAKER SYSTEM

Model CS-53



Model CS-54

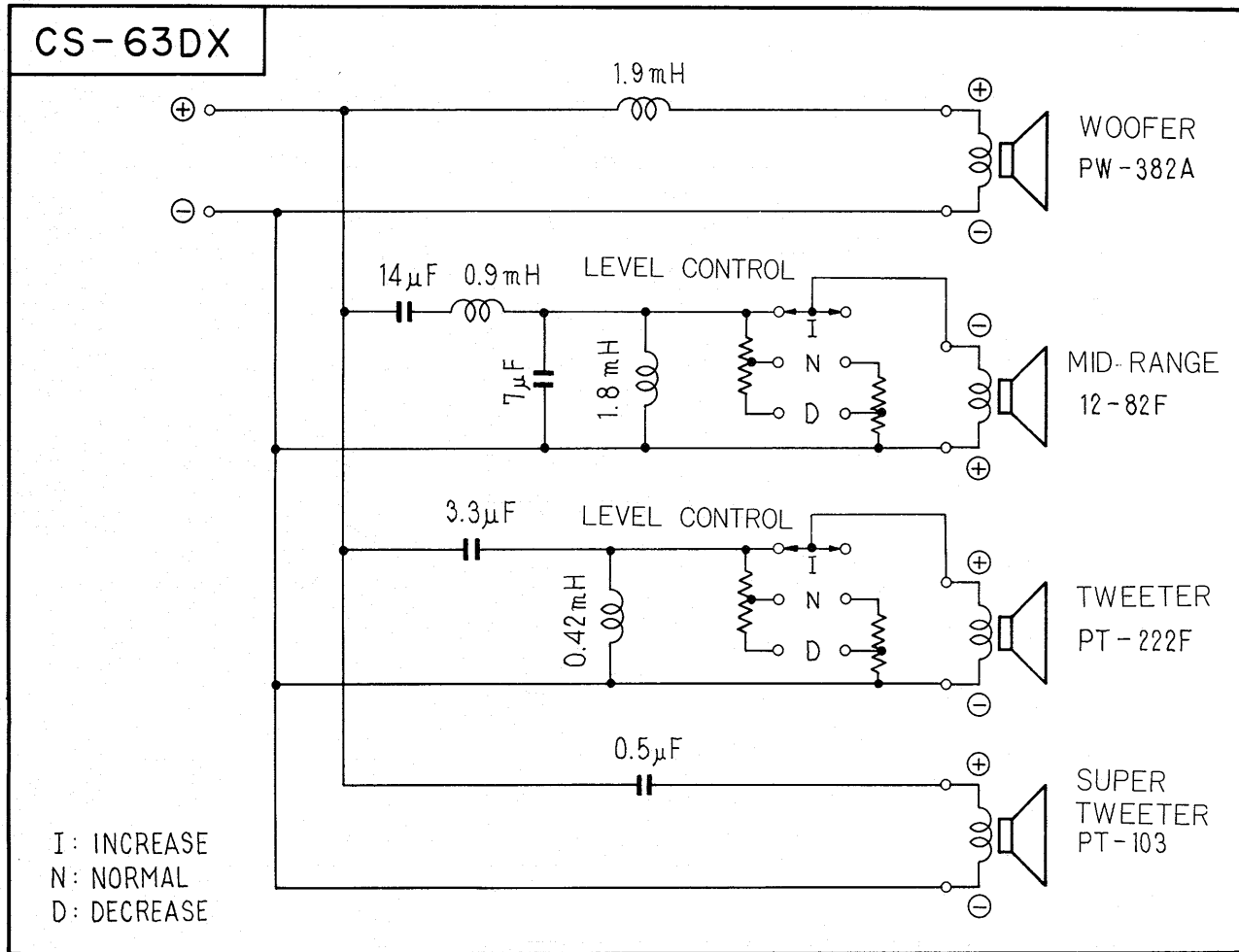




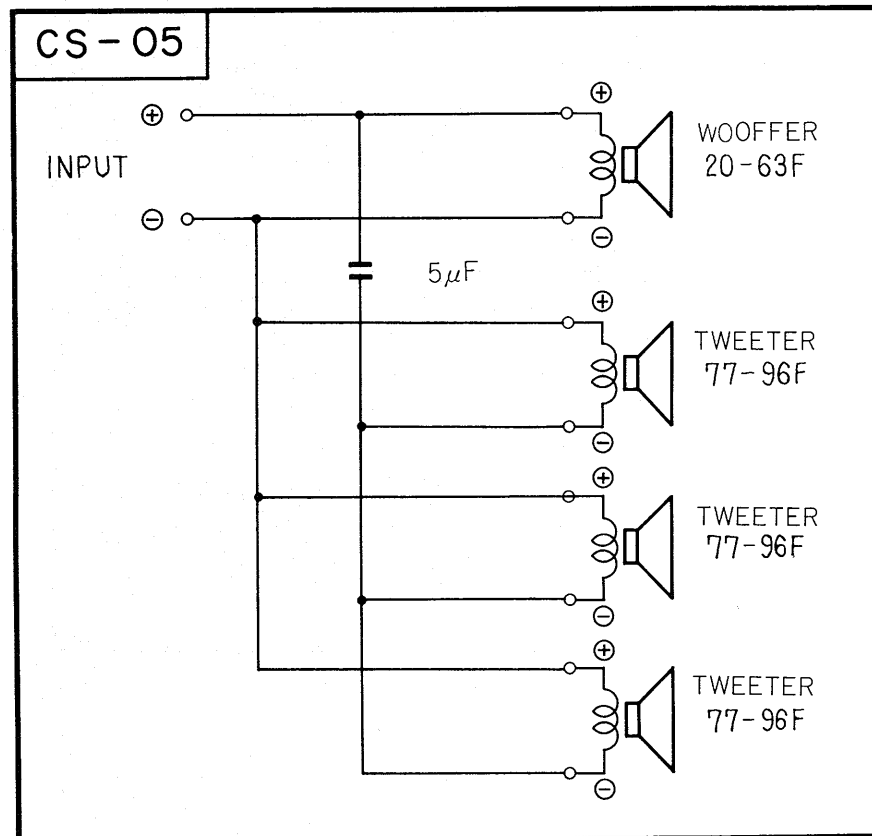


# SPEAKER SYSTEM

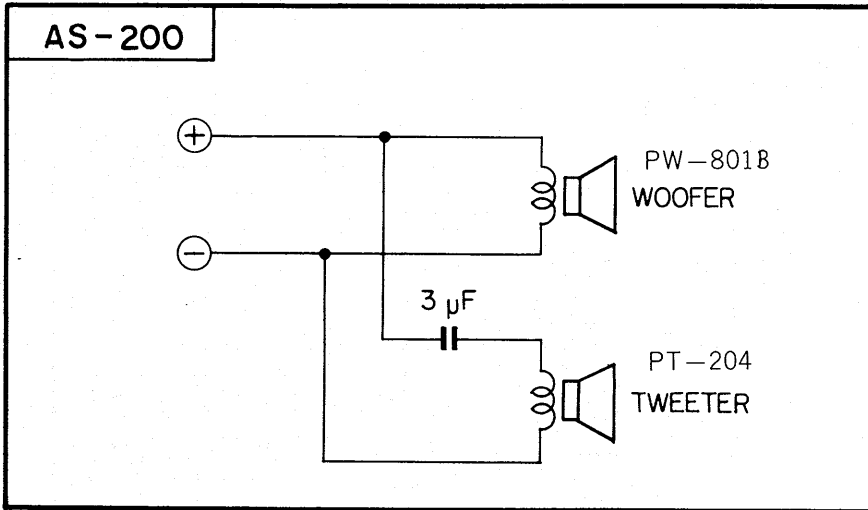
Model CS-63DX



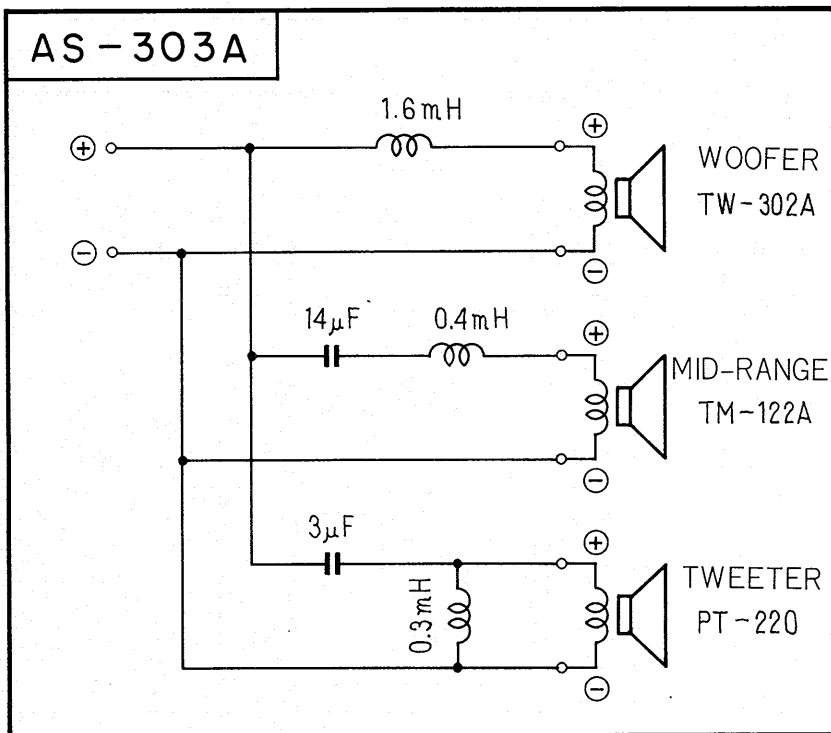
Model CS-05



Model AS-200

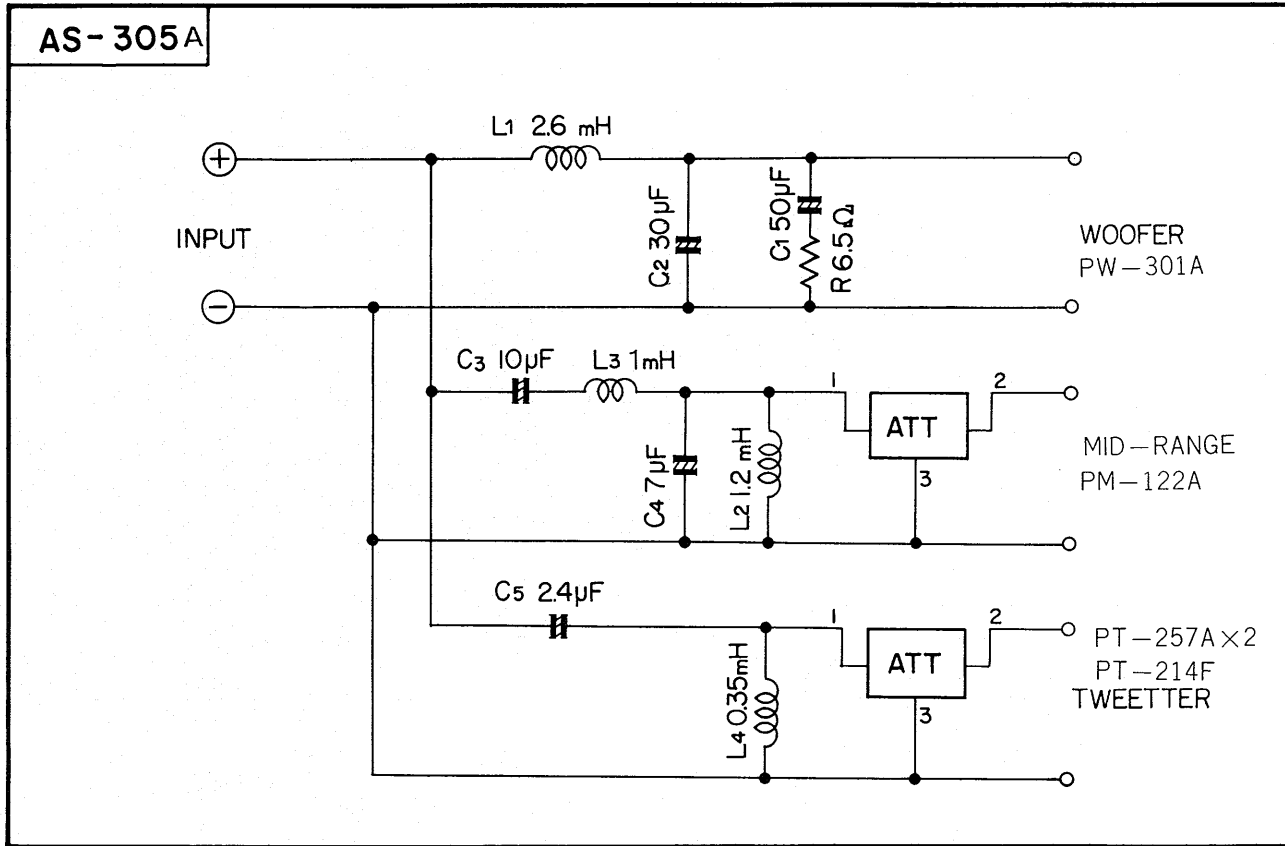


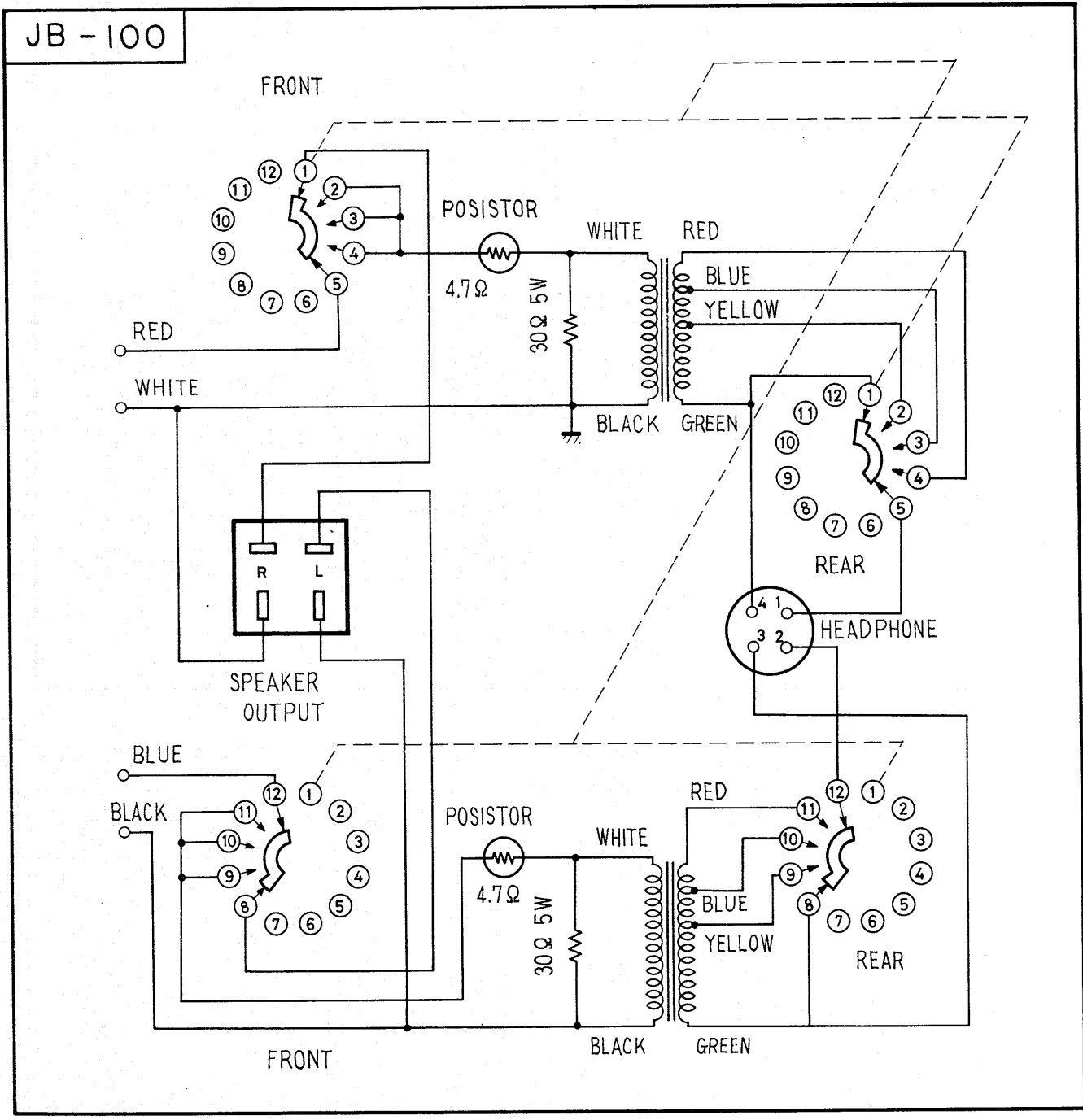
Model AS-303A



# SPEAKER SYSTEM

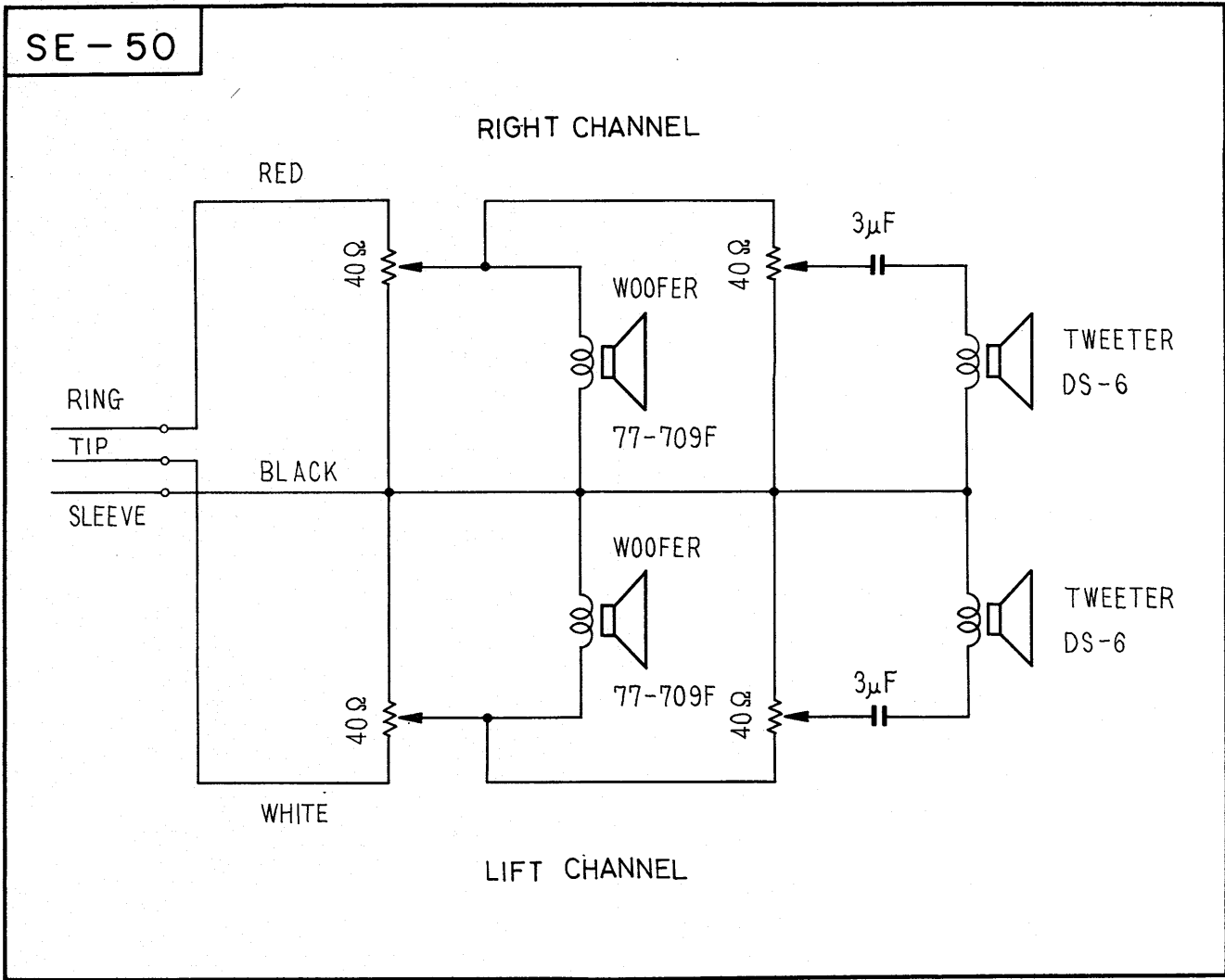
Model AS-305A





# SPEAKER SYSTEM

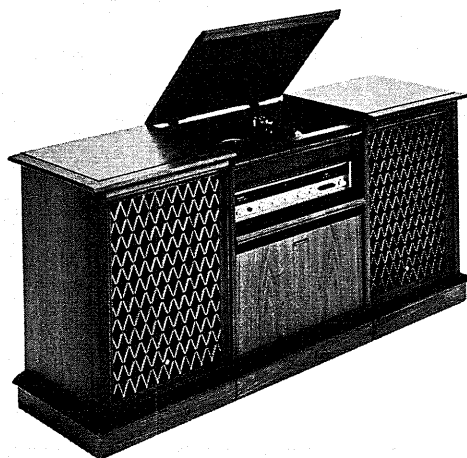
Model SE-50



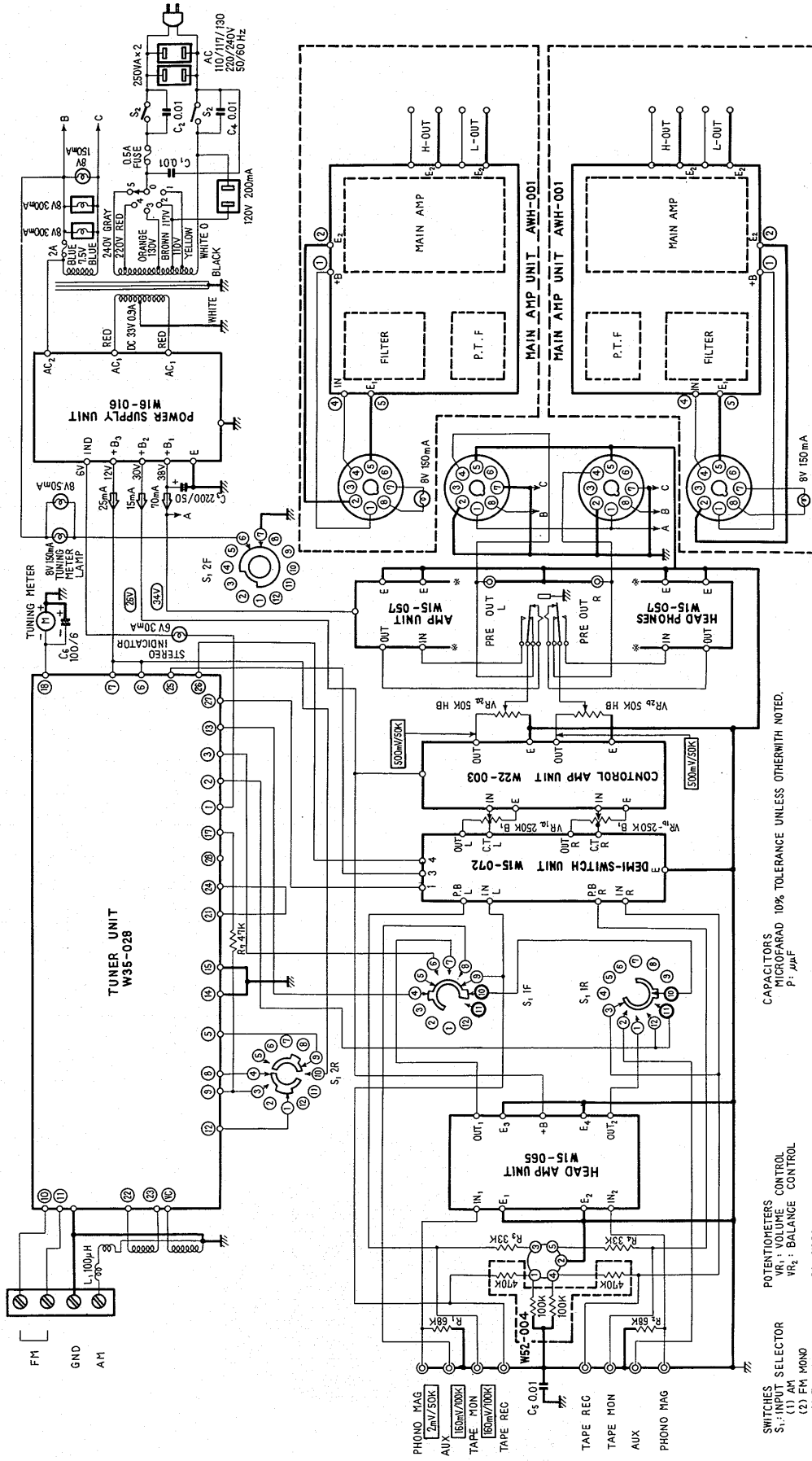
## CONSOLE STEREO SYSTEM

### S-50

ROUND LABEL	F					
<b>UNIT</b>						
<b>TUNER UNIT</b>	W35-028					
<b>FM FRONT END</b>						
<b>FM IF UNIT</b>						
<b>MPX UNIT</b>						
<b>AM TUNER UNIT</b>						
<b>MUTING UNIT</b>						
<b>HEAD AMP UNIT</b>	W15-065					
<b>CONTROL AMP UNIT</b>	W22-003					
<b>MAIN AMP UNIT</b>	AWH-001					
<b>POWER SUPPLY UNIT</b>	W16-016					
<b>DEMISWITCH UNIT</b>	W15-072					
<b>SWITCH UNIT</b>						
<b>SWITCH UNIT</b>						
<b>TONE COLOR UNIT</b>						
<b>CONTROL UNIT</b>						
<b>MIC AMP UNIT</b>						
<b>REVERBE AMP UNIT</b>						
<b>REVERBE UNIT</b>						
<b>HEAD PHONES UNIT</b>	W15-057					



S-50



POTENTIOMETERS  
 VR<sub>1</sub> - VOLUME CONTROL  
 VR<sub>2</sub> - BALANCE CONTROL

RESISTORS  
 10% TOLERANCE 1/4 WATT UNLESS OTHERWISE NOTED.  
 NON-MARK : OHM K: KILOHM M: MEGOHM W: WATT

SWITCHES  
 S<sub>1</sub> - INPUT SELECTOR  
 (1) AM FM MONO  
 (2) FM MONO  
 (3) FM STEREO  
 (4) PHONO  
 (5) AUX

S<sub>2</sub> - POWER SWITCH

CAPACITORS  
 MICROFARAD 10% TOLERANCE UNLESS OTHERWISE NOTED.  
 P: μF

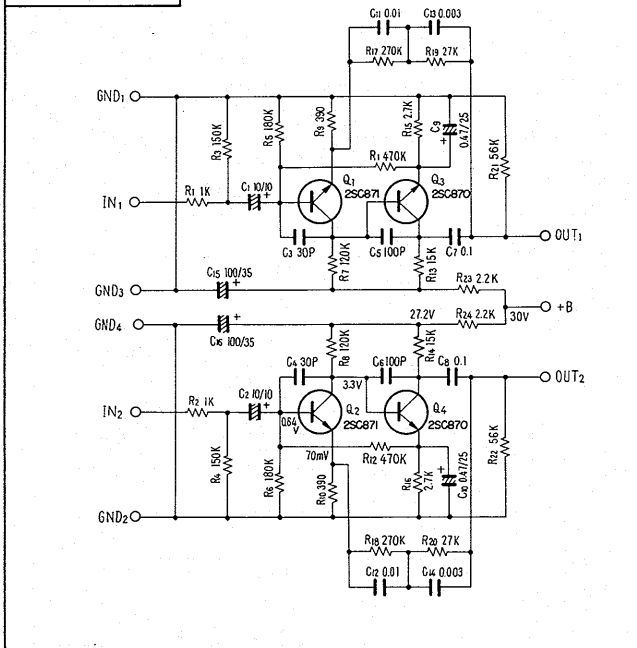
← : NO INPUT SIGNAL DC CURRENT  
 V : NO INPUT SIGNAL DC VOLTAGE (ONE CHANNEL)  
 D : MAX INPUT SIGNAL DC VOLTAGE (SPEAKER OUTPUT)  
 W : SIGNAL VOLTAGE AT 12V/8Ω (SPEAKER OUTPUT)  
 ALL VOLTAGE MEASURED WITH V.T.V.M





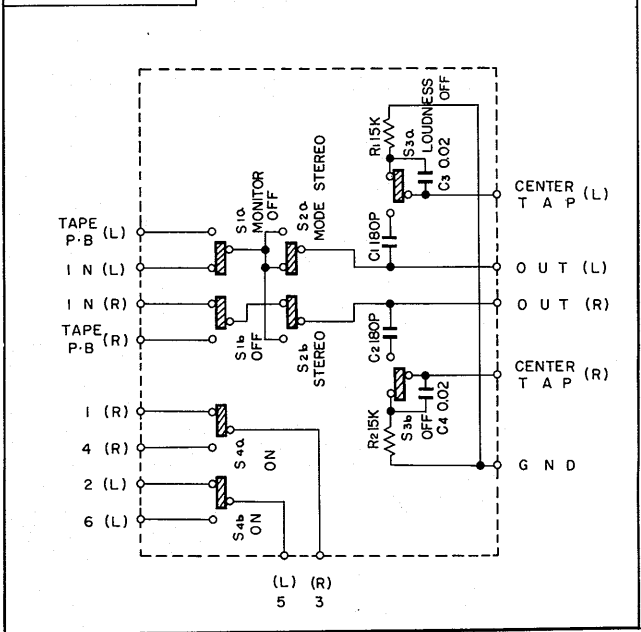
# HEAD AMP UNIT

HEAD AMP UNIT  
W15-065



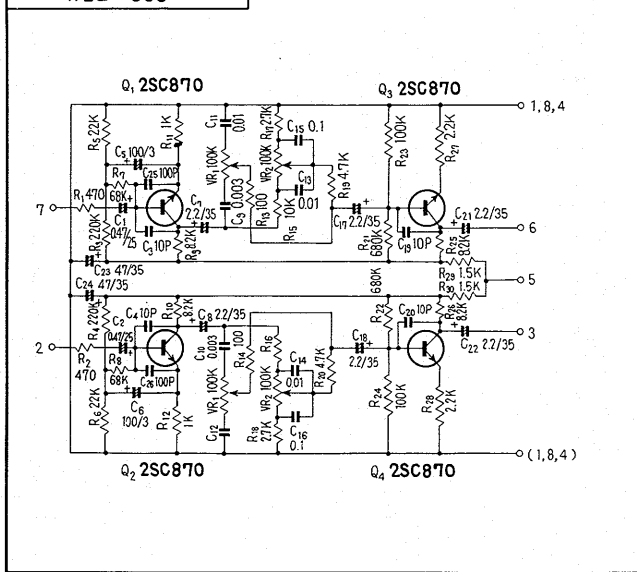
# DEMI SWITCH UNIT

DEMI SWITCH UNIT  
W15-072



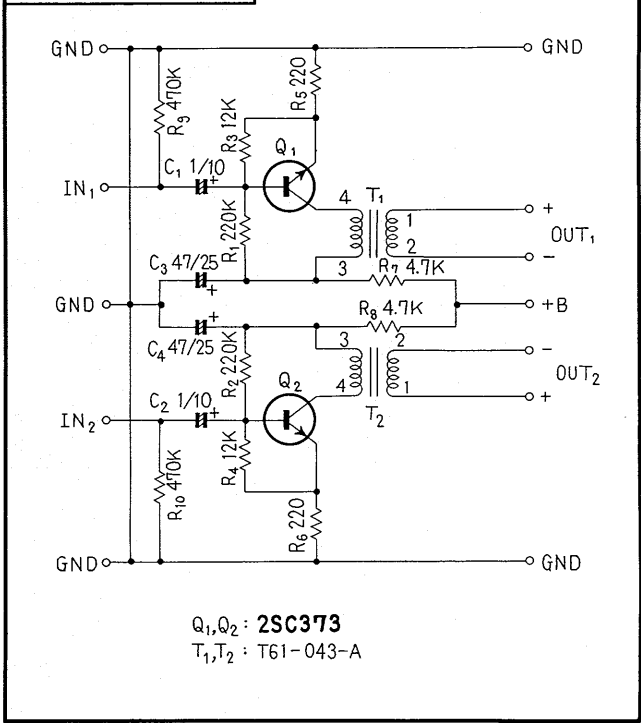
# CONTROL AMP UNIT

CONTROL AMP UNIT  
W22-003

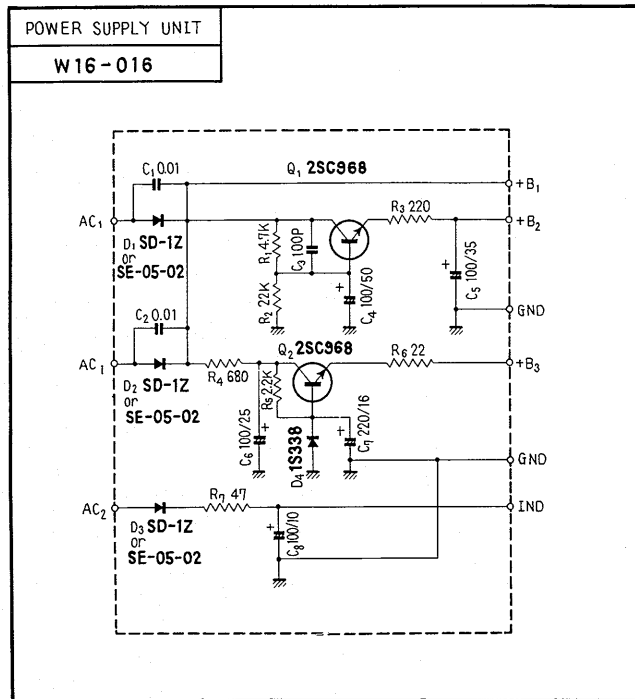


# HEAD PHONE UNIT

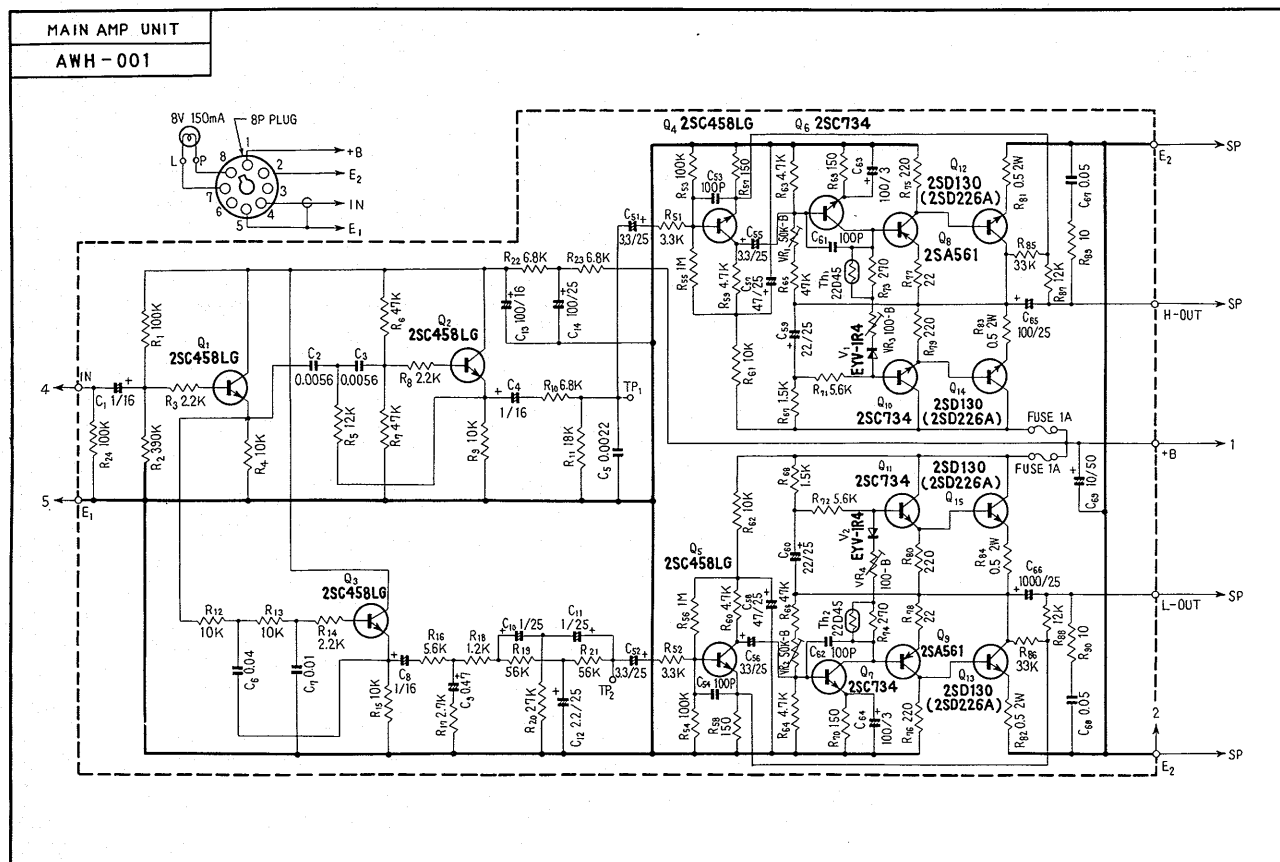
HEAD PHONE UNIT  
W15-057



POWER SUPPLY UNIT

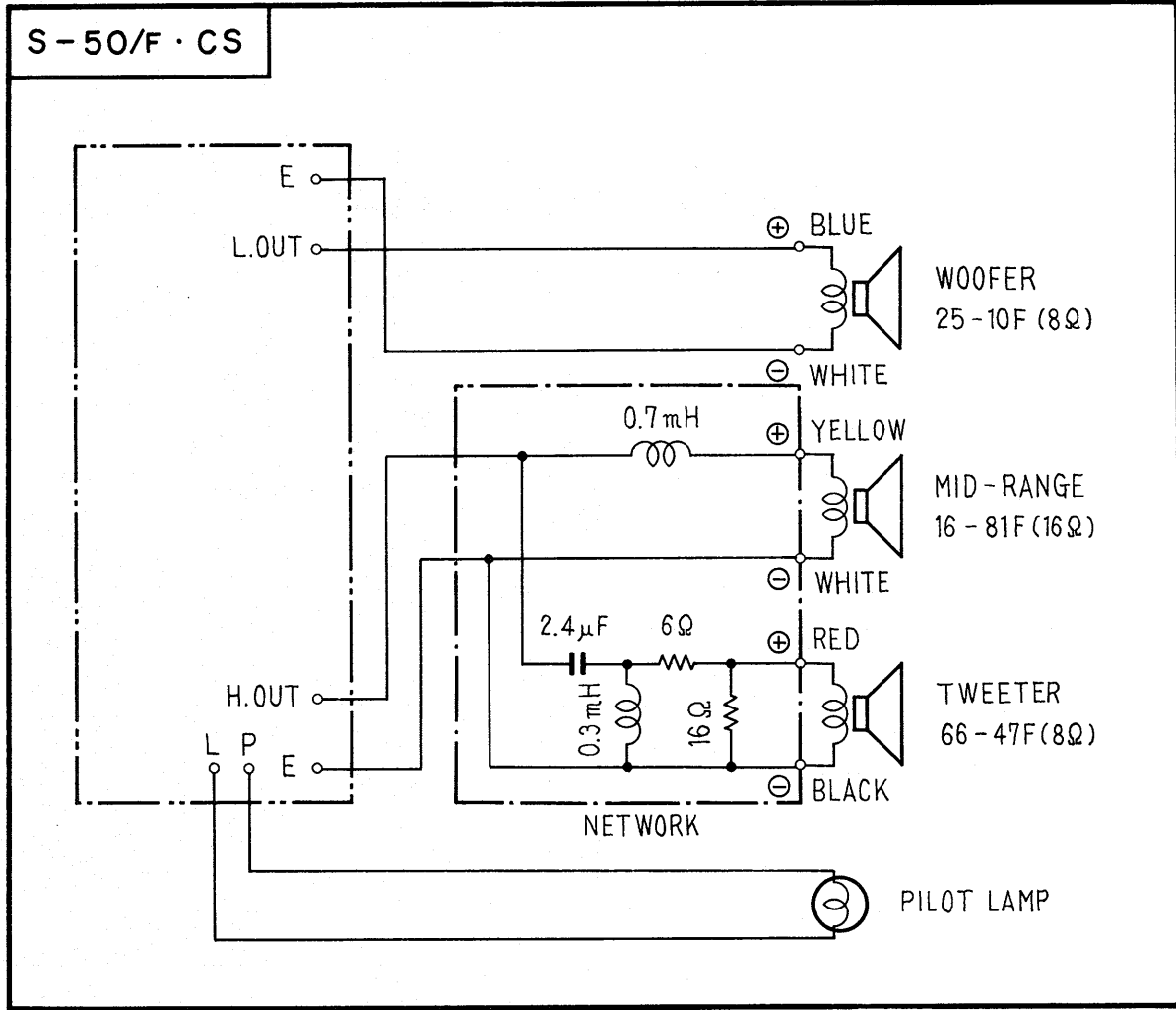


MAIN AMP UNIT





SPEAKER SYSTEM



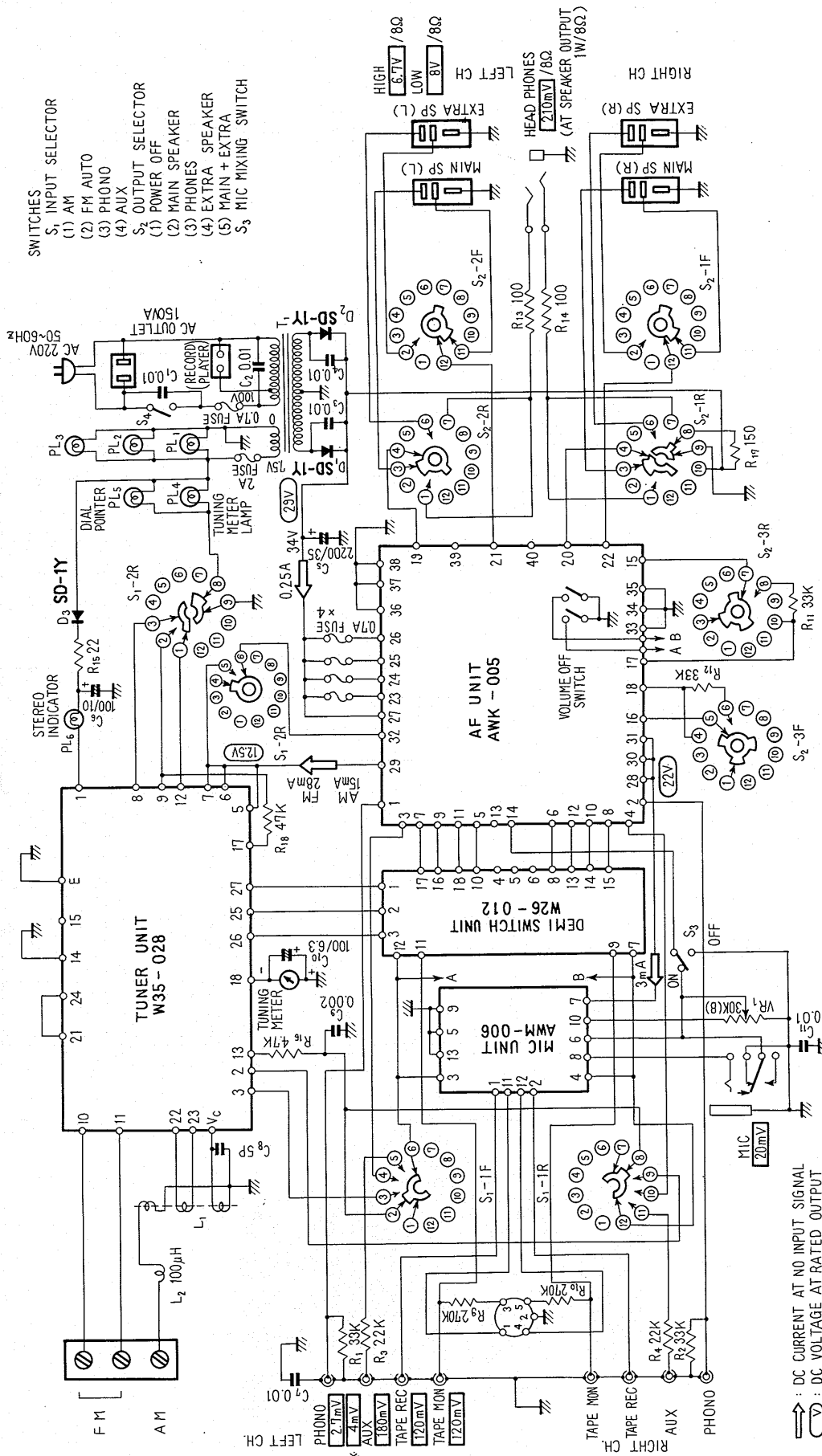
## CONSOLE STEREO SYSTEM

### S-550

UNIT \ ROUND LABEL	N					
TUNER UNIT	W35-028					
FM FRONT END						
FM IF UNIT						
AF UNIT	AWK-005					
AM TUNER UNIT						
MUTING UNIT						
HEAD AMP UNIT						
CONTROL AMP UNIT						
MIC UNIT	AWM-006					
POWER SUPPLY UNIT						
DEMISWITCH UNIT	W26-012					
SWITCH UNIT						
SWITCH UNIT						
TONE COLOR UNIT						
CONTROL UNIT						
MIC AMP UNIT						
REVERBE AMP UNIT						
REVERBE UNIT						



**S-550**



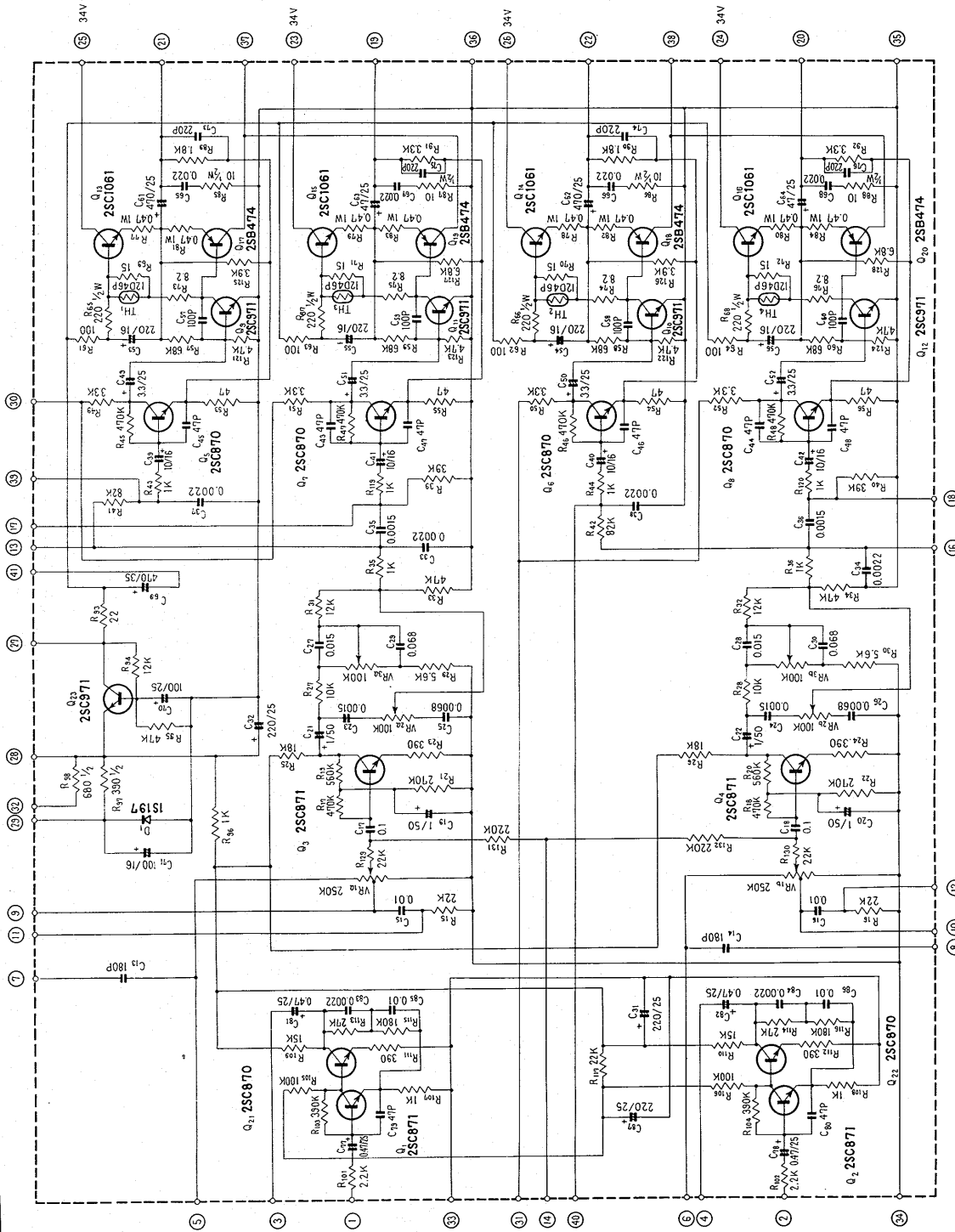
- SWITCHES**
- S<sub>1</sub> INPUT SELECTOR
    - (1) AM
    - (2) FM AUTO
    - (3) PHONO
    - (4) AUX
  - S<sub>2</sub> OUTPUT SELECTOR
    - (1) POWER OFF
    - (2) MAIN SPEAKER
    - (3) PHONES
    - (4) EXTRA SPEAKER
    - (5) MAIN + EXTRA
  - S<sub>3</sub> MIC MIXING SWITCH

- ↑ : DC CURRENT AT NO INPUT SIGNAL
  - : DC VOLTAGE AT RATED OUTPUT
  - ∩ : DC VOLTAGE AT NO INPUT SIGNAL
  - ∪ : SIGNAL VOLTAGE AT RATED OUTPUT (R.M.S.)
- Input signal frequency
- HIGH : 5kHz
  - \* : 1kHz
  - OTHERS : 200Hz



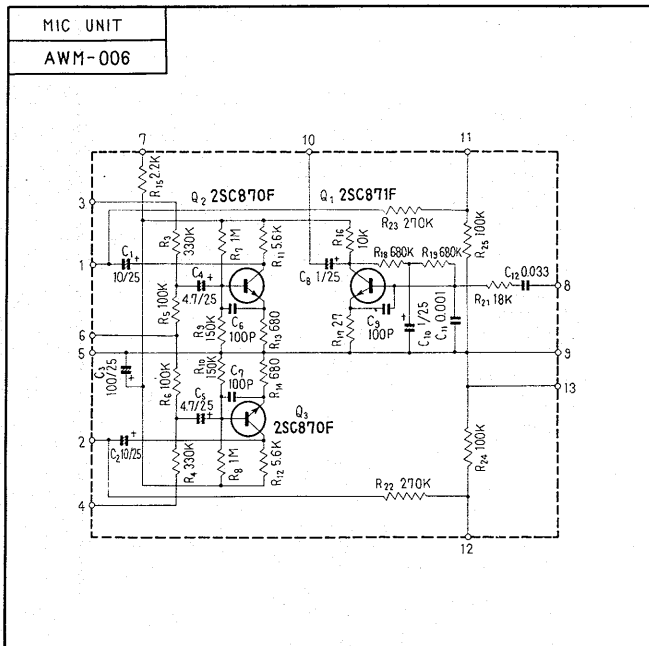
AF UNIT

A F UNIT  
AWK - 005

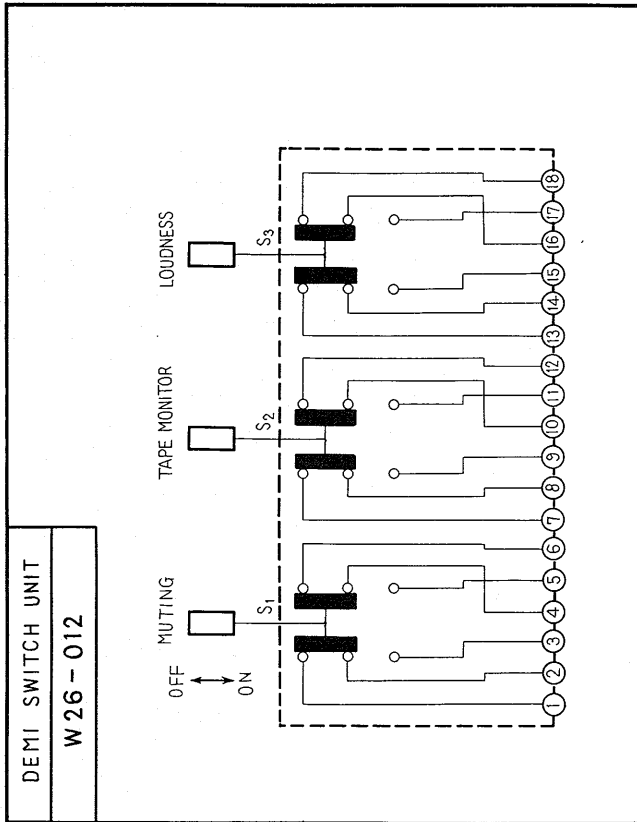




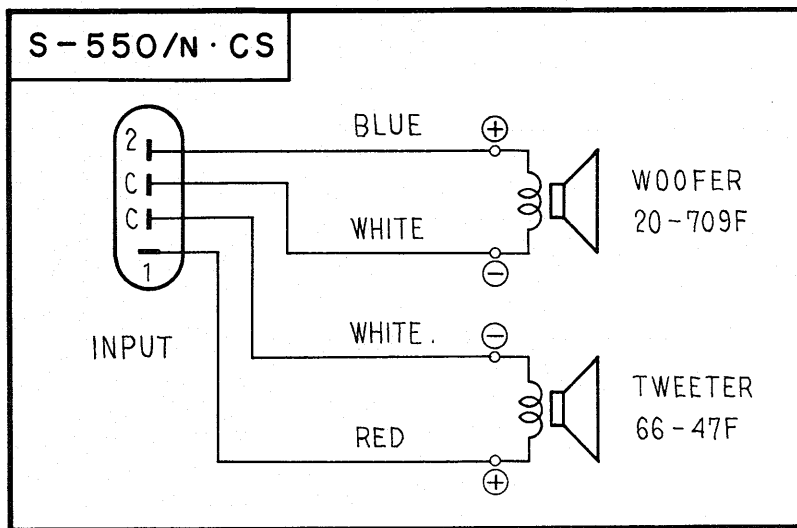
MIC UNIT



DEMI-SWITCH UNIT

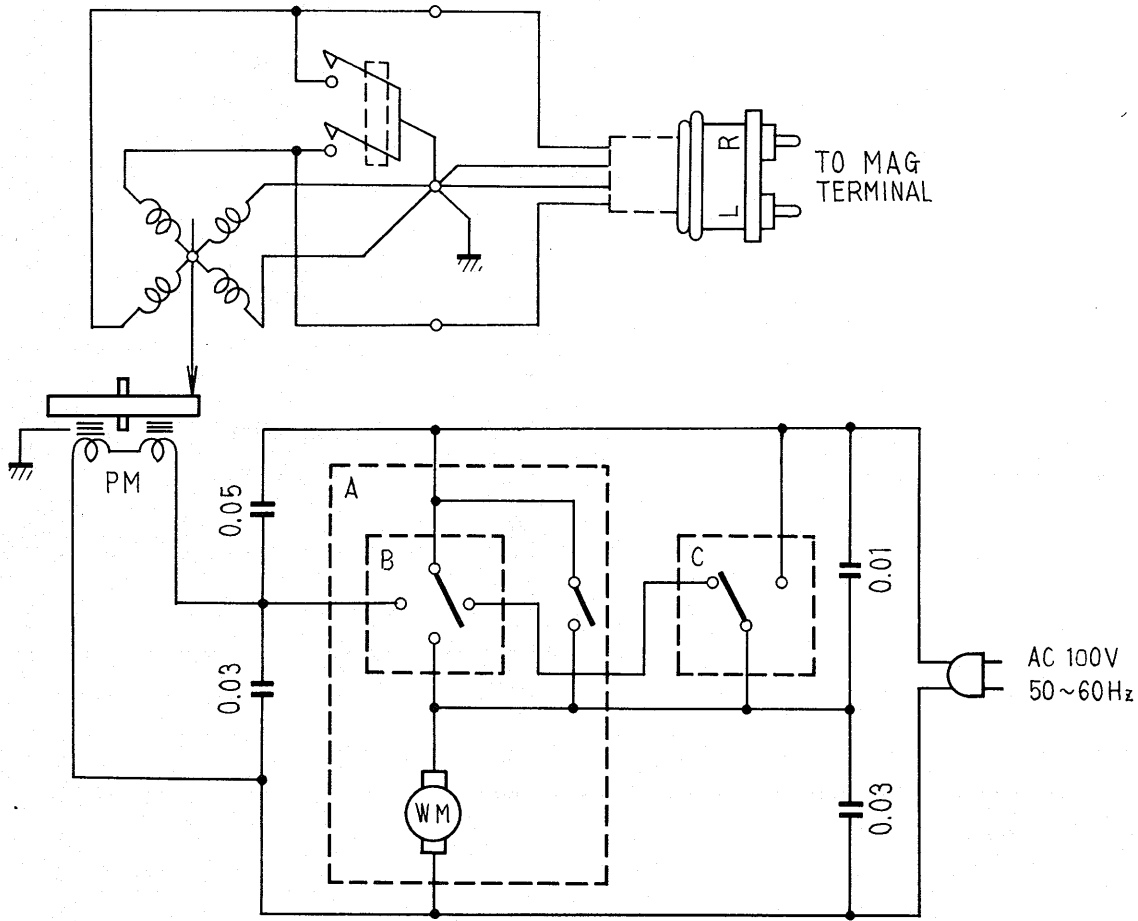


SPEAKER SYSTEM



TURNTABLE UNIT

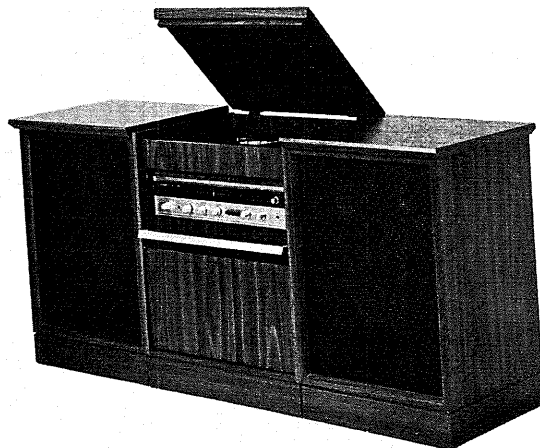
S-550/N·PL



**CONSOLE STEREO SYSTEM**

**S-770**

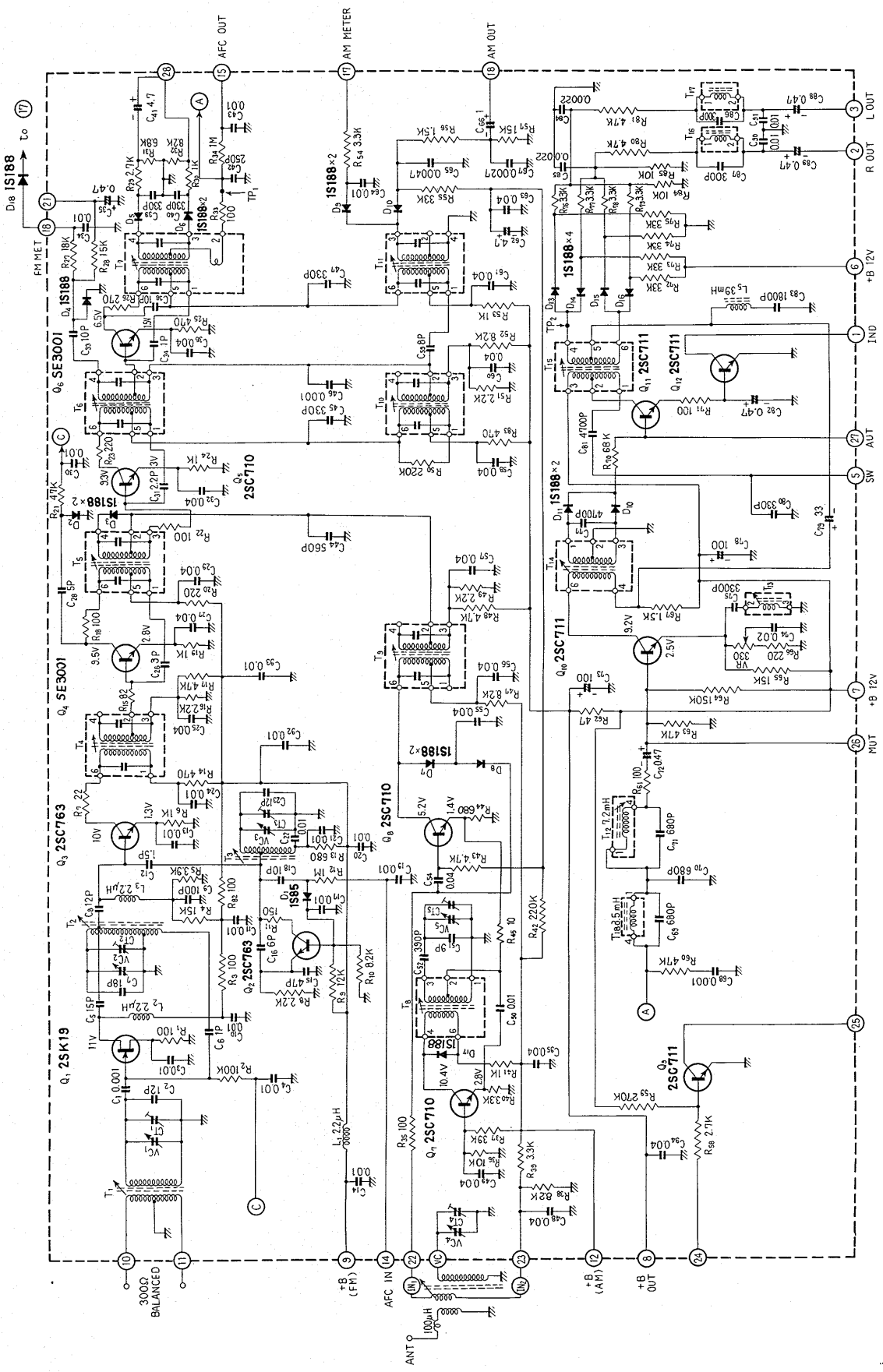
UNIT	ROUND LABEL	N					
TUNER UNIT		W35-028					
FM FRONT END							
FM IF UNIT							
AF UNIT		AWK-004					
AM TUNER UNIT							
MUTING UNIT							
HEAD AMP UNIT							
CONTROL AMP UNIT							
MIC UNIT		AWM-006					
POWER SUPPLY UNIT							
DEMISWITCH UNIT		W26-012					
SWITCH UNIT							
SWITCH UNIT							
TONE COLOR UNIT							
CONTROL UNIT							
MIC AMP UNIT							
REVERBE AMP UNIT							
REVERBE UNIT							





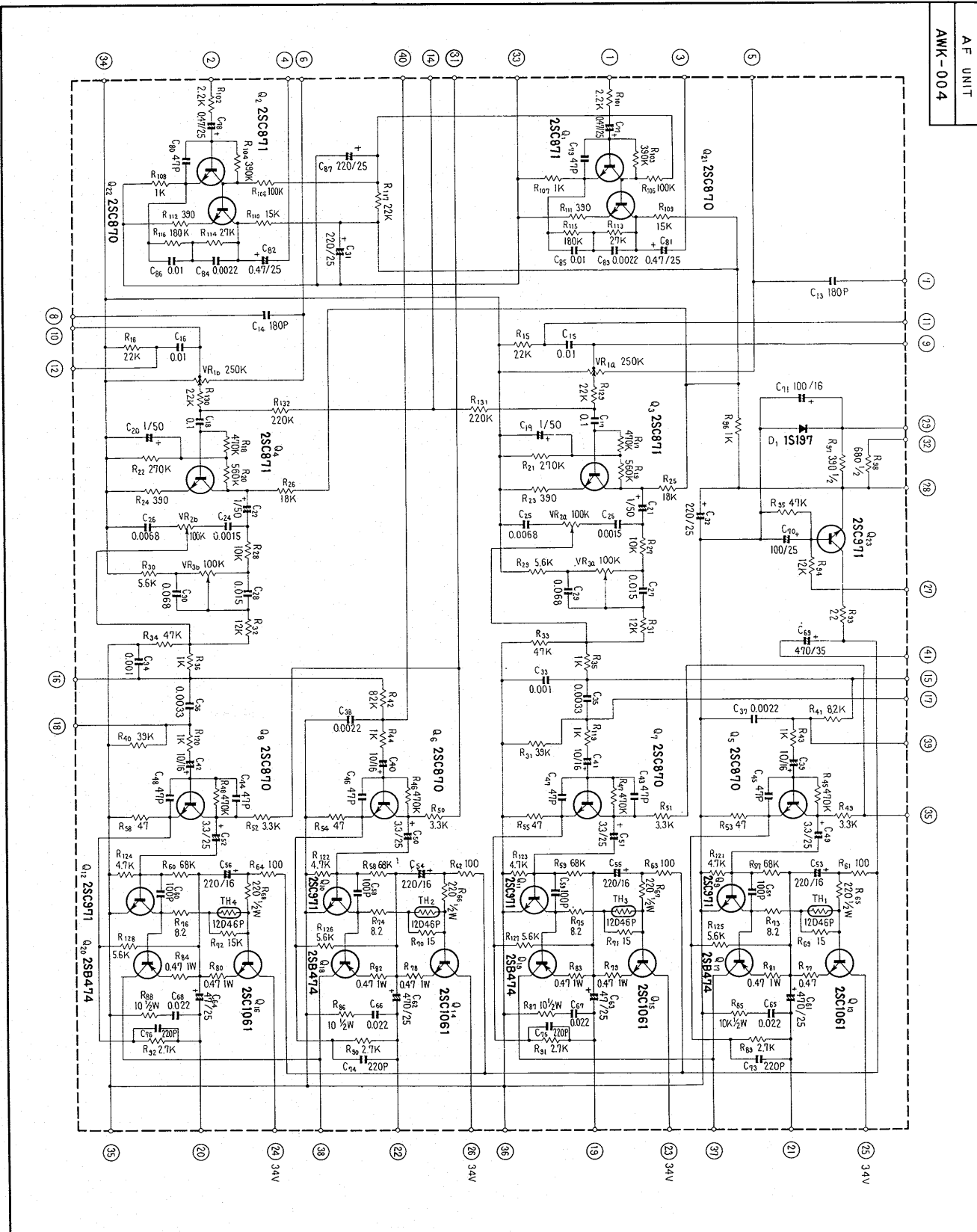
TUNER UNIT

TUNER UNIT  
W35-028

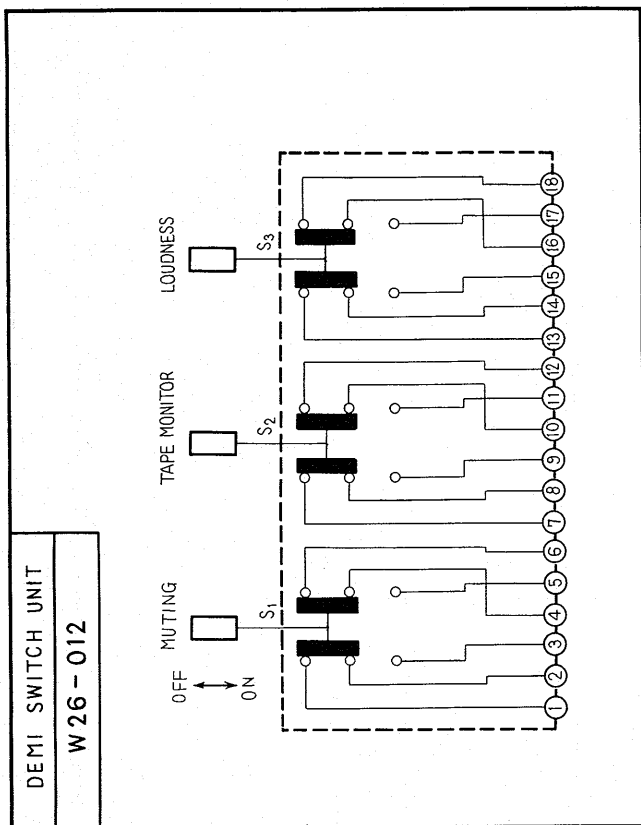


AF UNIT

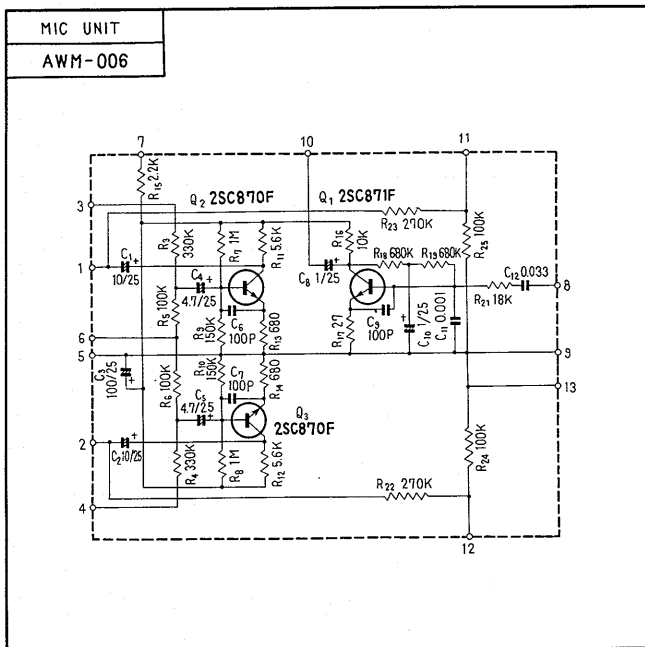
AF UNIT  
AWK-004



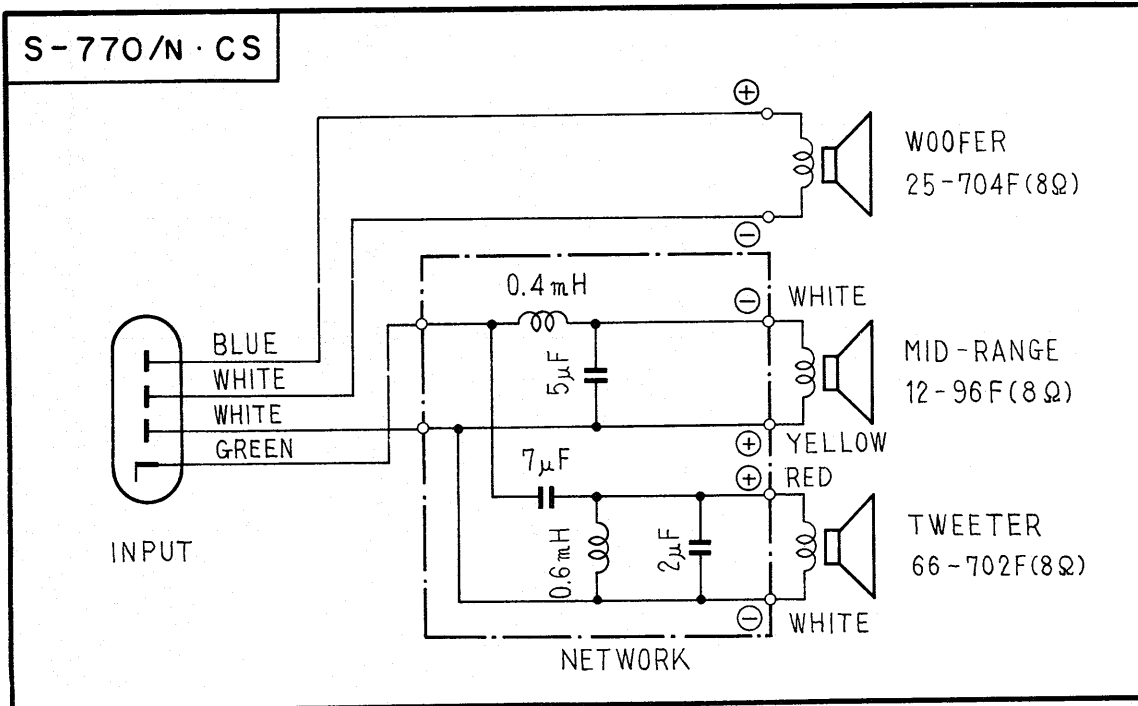
DEMI SWITCH UNIT



MIC UNIT

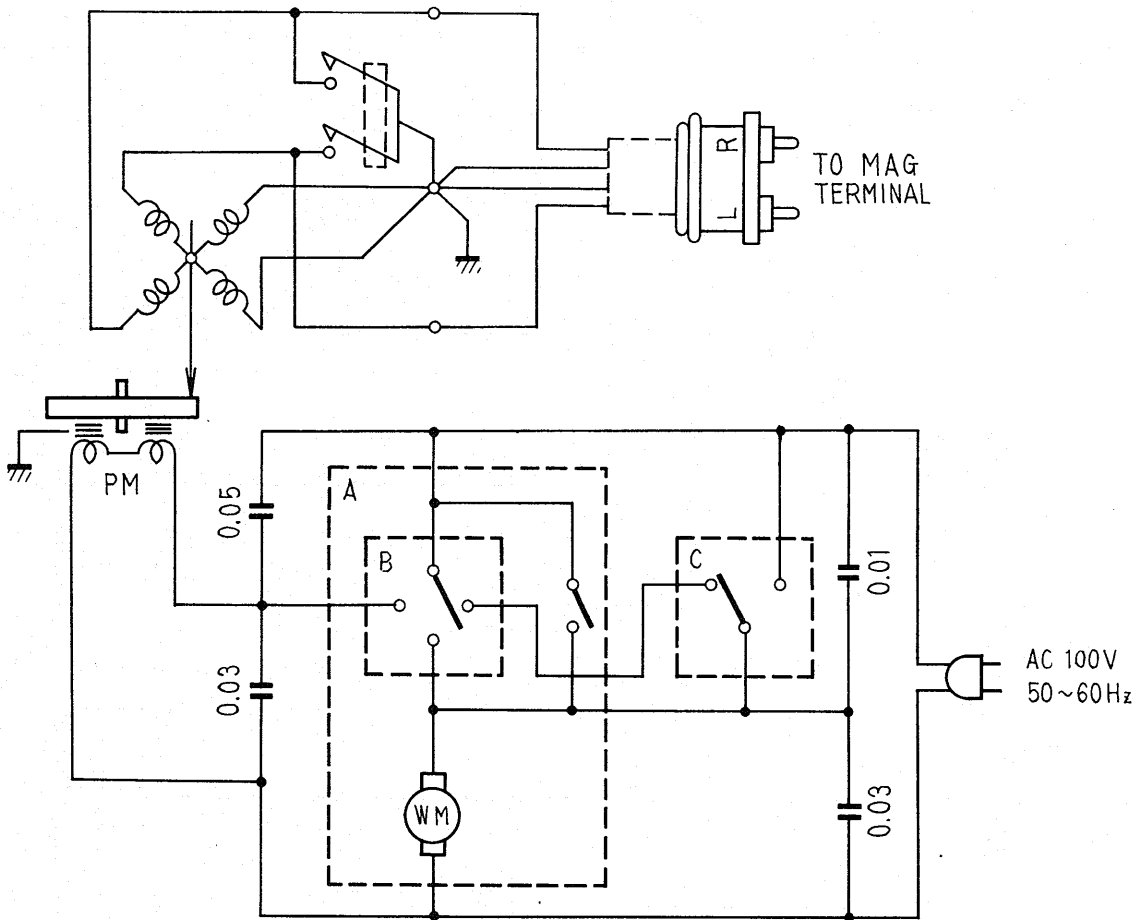


SPEAKER SYSTEM



TURNTABLE

S-770/N, PL



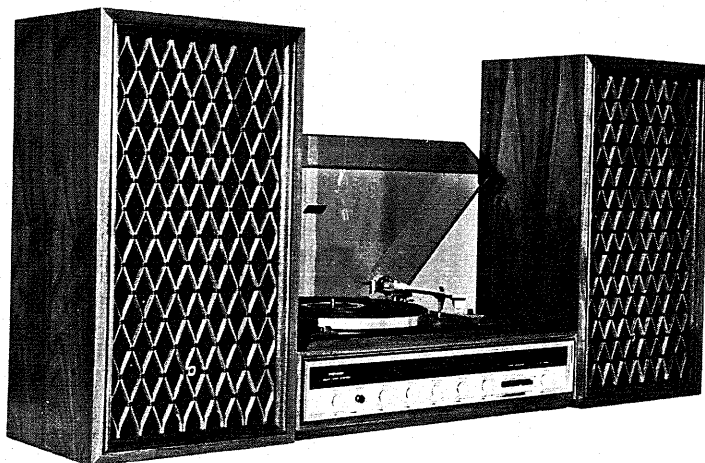


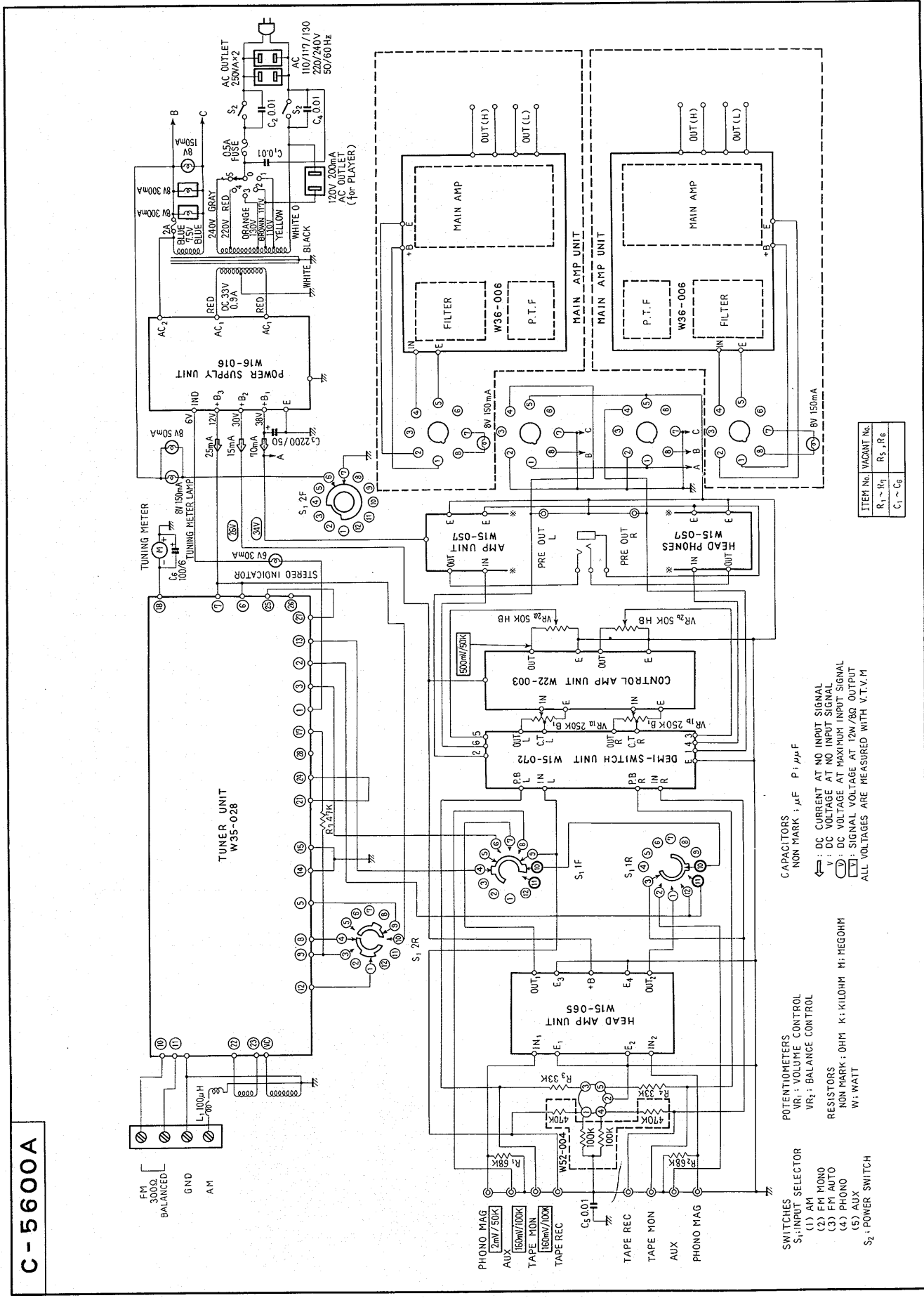
**COMPACT STEREO**

**C-5600A**

**C-5600D**

UNIT	ROUND LABEL	FV					
TUNER UNIT		W35-028					
FM FRONT END							
FM IF UNIT							
MPX UNIT							
AM TUNER UNIT							
MUTING UNIT							
HEAD AMP UNIT		W15-065					
CONTROL AMP UNIT		W22-003					
MAIN AMP UNIT		W36-006					
POWER SUPPLY UNIT		W16-016					
DEMISWITCH UNIT		W15-072					
SWITCH UNIT							
SWITCH UNIT							
TONE COLOR UNIT							
CONTROL UNIT							
MIC AMP UNIT							
REVERBE AMP UNIT							
REVERBE UNIT							
HEADPHONES UNIT		W15-057					





**C-5600A**

ITEM No.	VACANT No.
R <sub>1</sub> ~ R <sub>6</sub>	R <sub>s</sub> , R <sub>g</sub>
C <sub>1</sub> ~ C <sub>6</sub>	

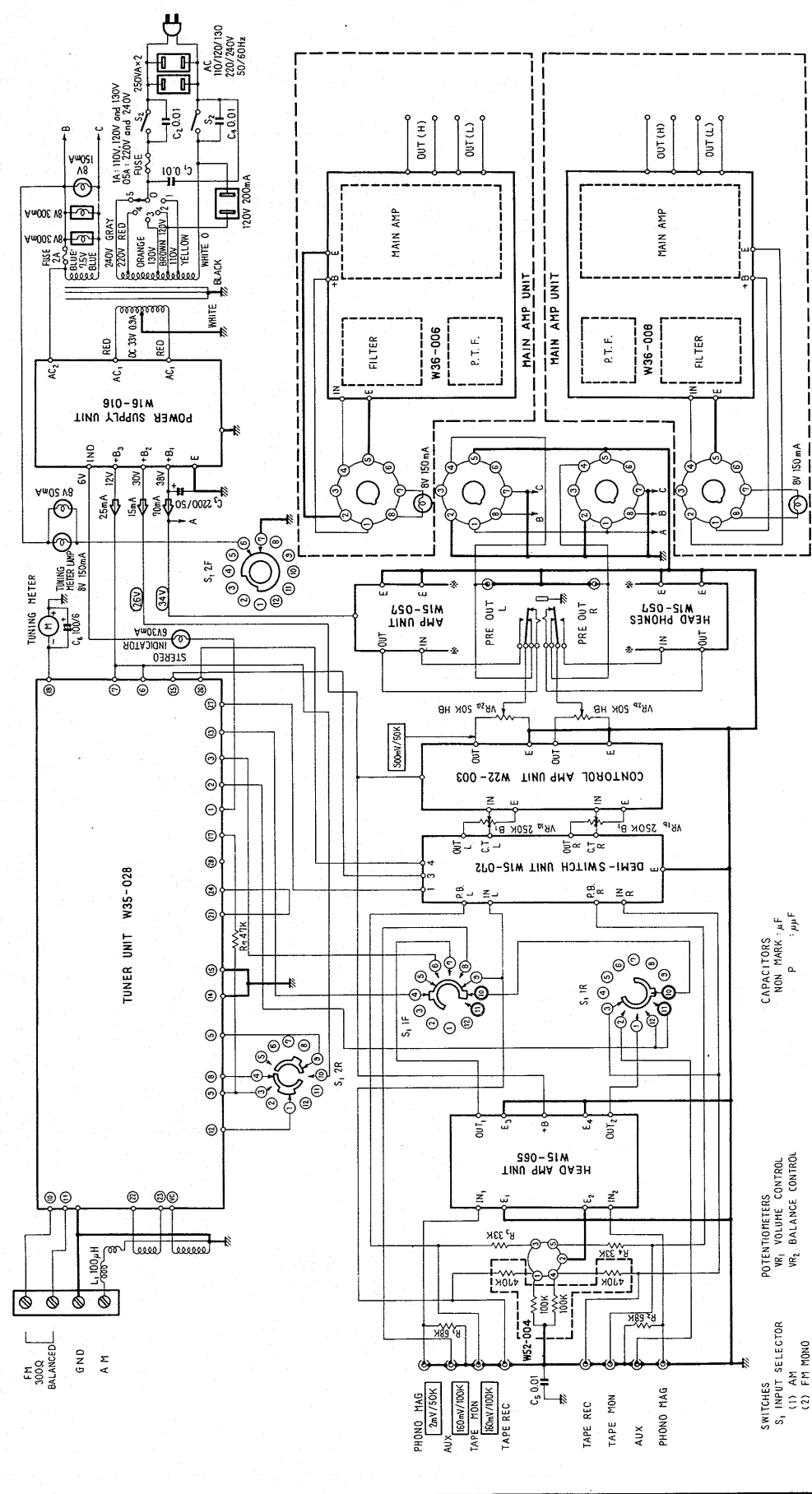
**CAPACITORS**  
 NON MARK :  $\mu F$  P,  $\mu F$ F  
 ◀ : DC CURRENT AT NO INPUT SIGNAL  
 v : DC VOLTAGE AT NO INPUT SIGNAL  
 ◻ : DC VOLTAGE AT MAXIMUM INPUT SIGNAL  
 ◻ : SIGNAL VOLTAGE AT 12W/8 $\Omega$  OUTPUT  
 ALL VOLTAGES ARE MEASURED WITH V.T.V.M

**POTENTIOMETERS**  
 VR<sub>1</sub> : VOLUME CONTROL  
 VR<sub>2</sub> : BALANCE CONTROL

**RESISTORS**  
 NON MARK : OHM K: KILOHM M: MEGOHM  
 W: WATT

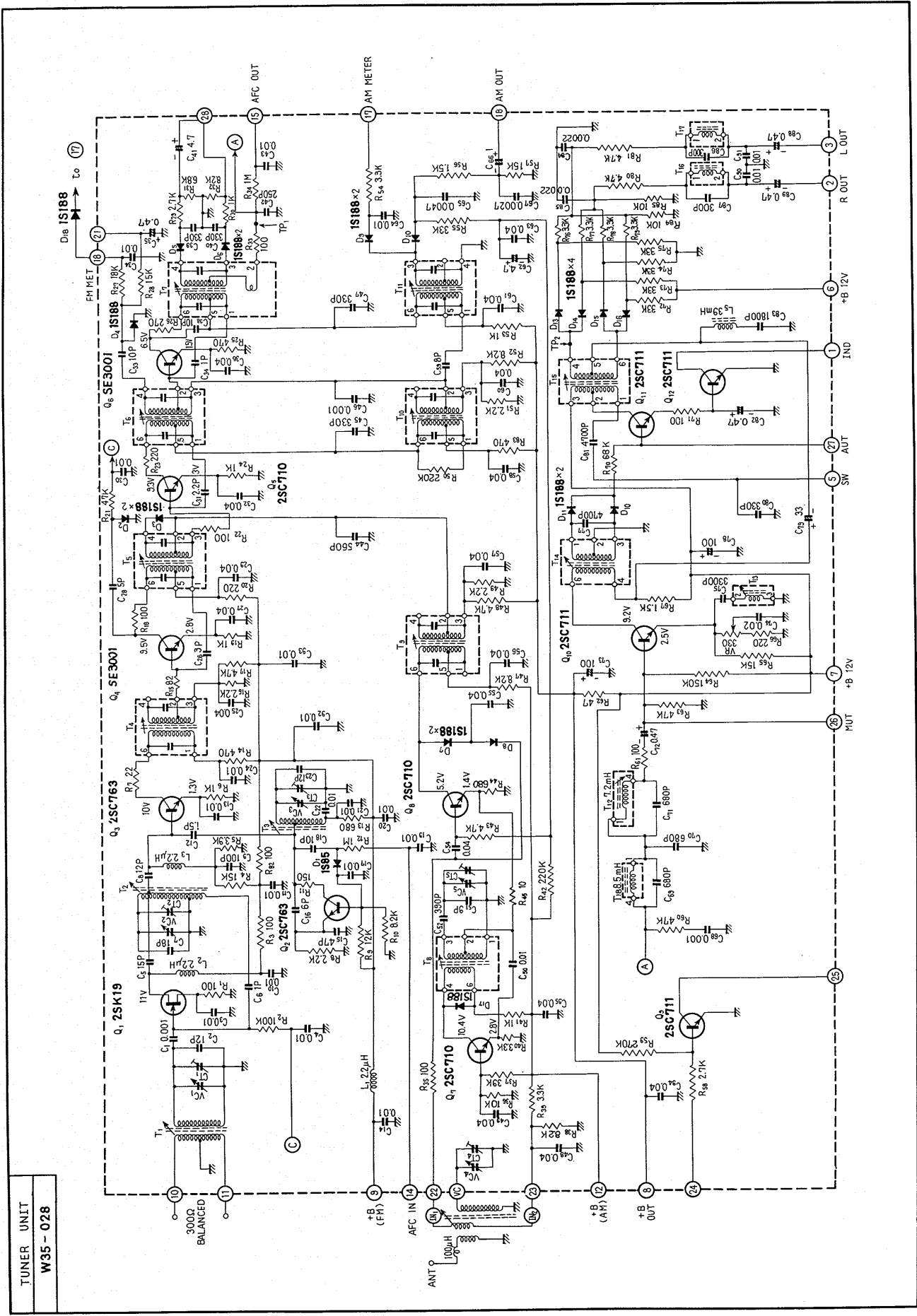
**SWITCHES**  
 S<sub>1</sub>: INPUT SELECTOR  
 (1) AM  
 (2) FM MONO  
 (3) FM AUTO  
 (4) PHONO  
 (5) AUX  
 S<sub>2</sub>: POWER SWITCH

C-5600D



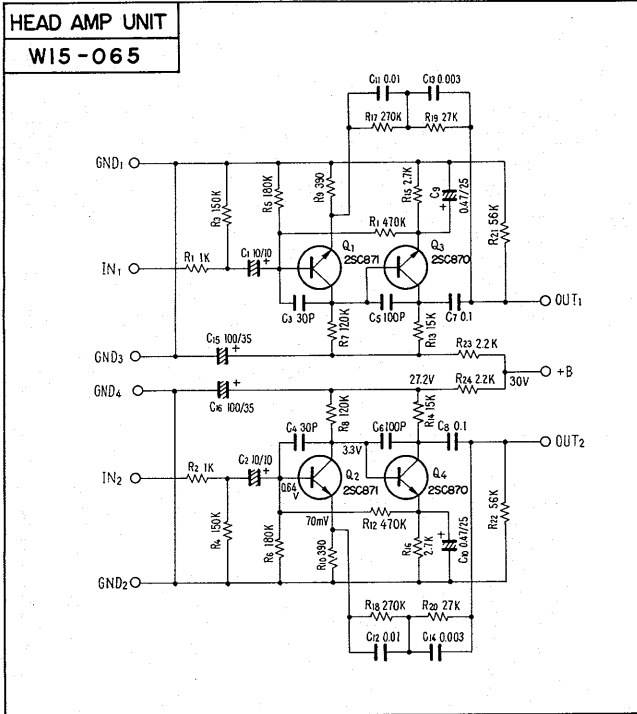
**POTENTIOMETERS**  
 VR1 VOLUME CONTROL  
 VR2 BALANCE CONTROL  
**RESISTORS**  
 10% TOLERANCE 1/4 WATT UNLESS NOTED  
 NON-PARK : OHM K: KILOHM M: MEGOHM  
 W: WATT  
**SWITCHES**  
 S1 INPUT SELECTOR  
 (1) FM  
 (2) FM MONO  
 (3) FM STEREO  
 (4) PHONO  
 (5) AUX  
 S2 POWER SWITCH  
**CAPACITORS**  
 NON-PARK :  $\mu$ F  
 P : p.p.F  
 ◀ : DC CURRENT AT NO INPUT SIGNAL  
 V : DC VOLTAGE AT NO INPUT SIGNAL  
 ⊖ : DC VOLTAGE AT MAX INPUT SIGNAL  
 ⊕ : SIGNAL VOLTAGE AT 12V/8Q (SPEAKER OUTPUT)  
 ALL VOLTAGE MEASURED WITH V.T.V.H

TUNER UNIT

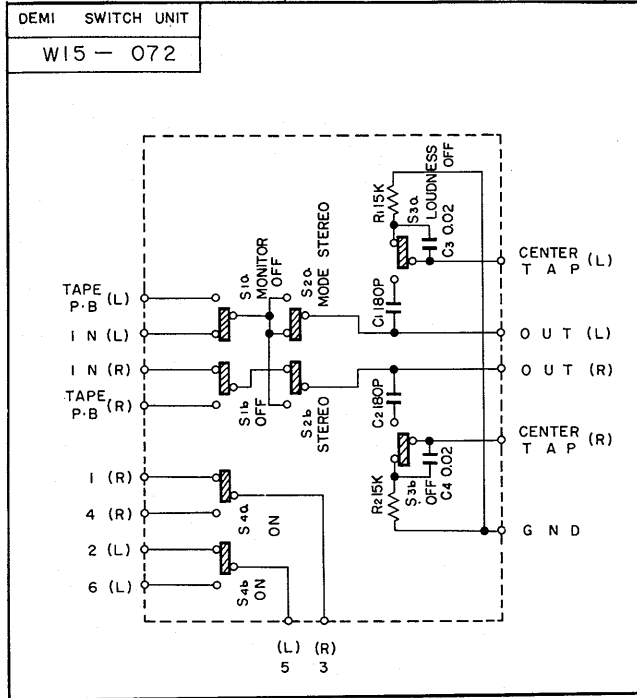


TUNER UNIT  
W35-028

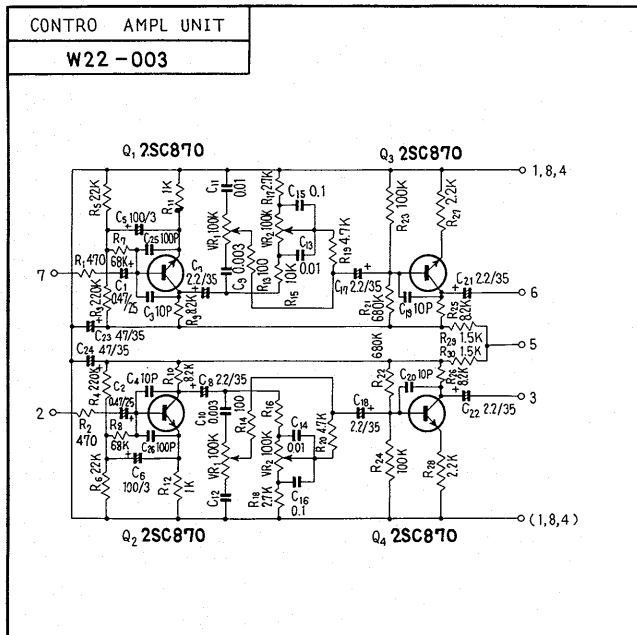
HEAD AMP UNIT



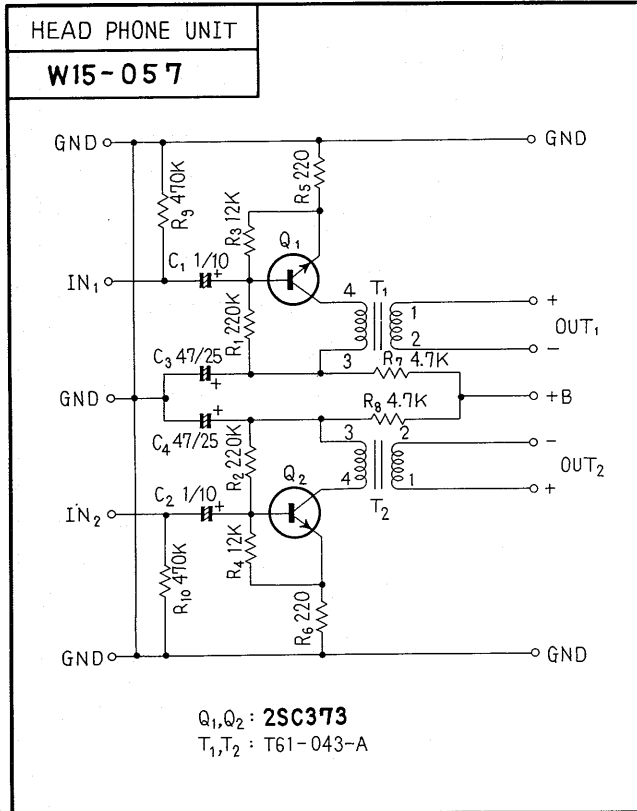
DEMI SWITCH UNIT



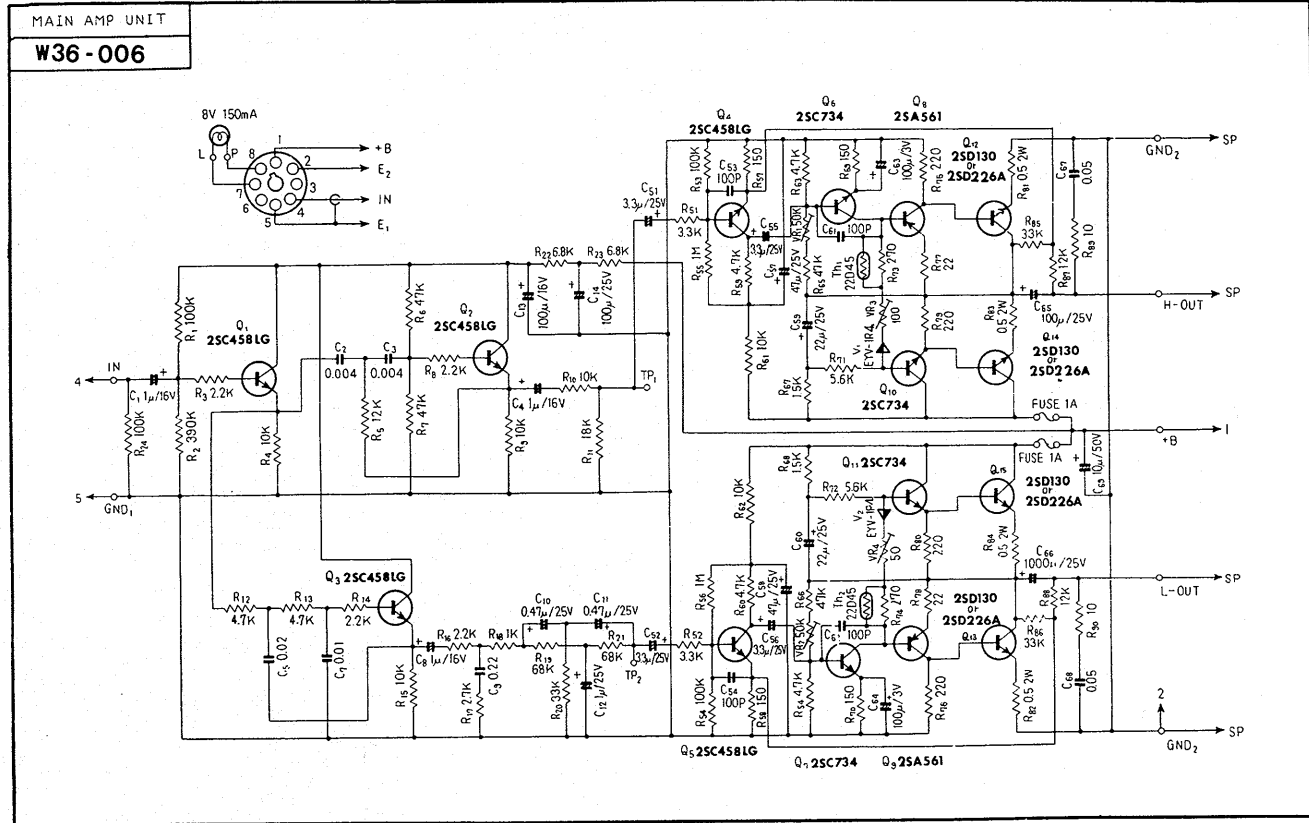
CONTRO AMPL UNIT



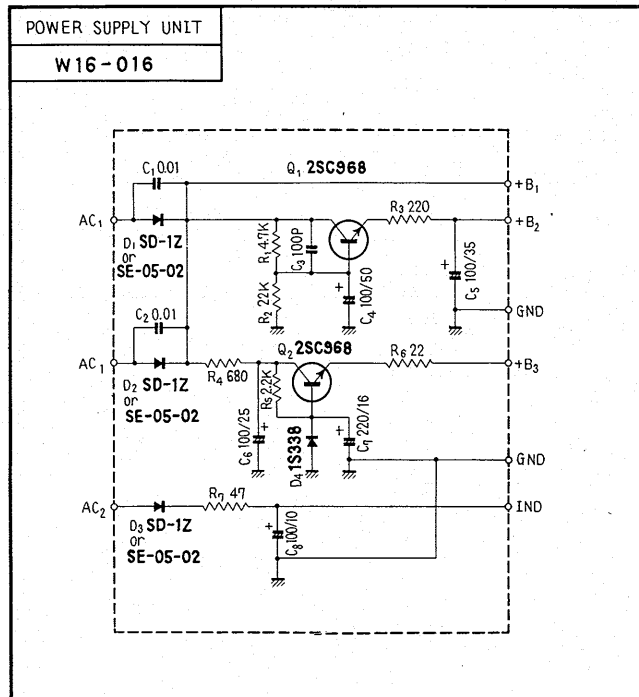
HEAD PHONE UNIT



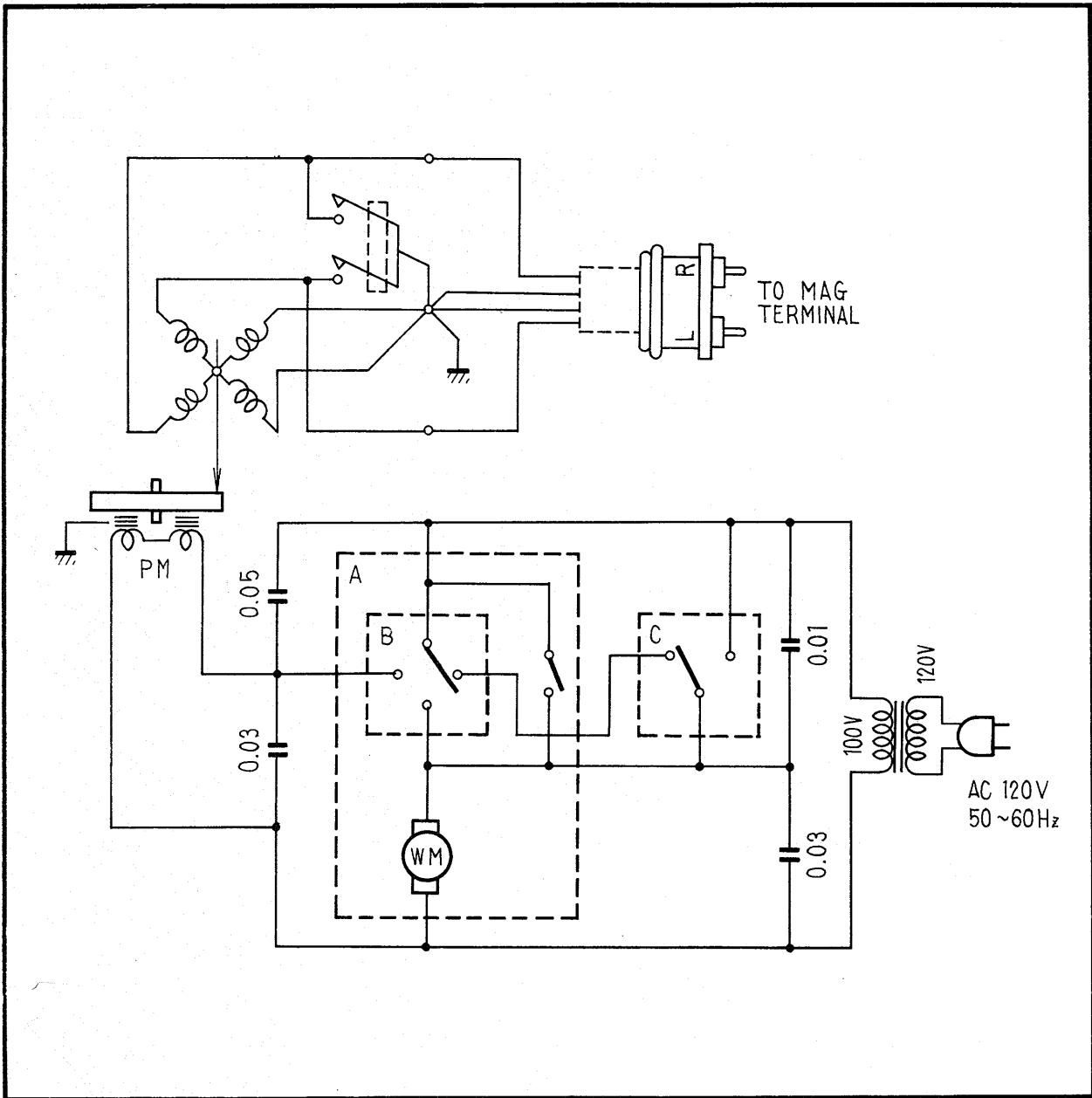
# MAIN AMP UNIT



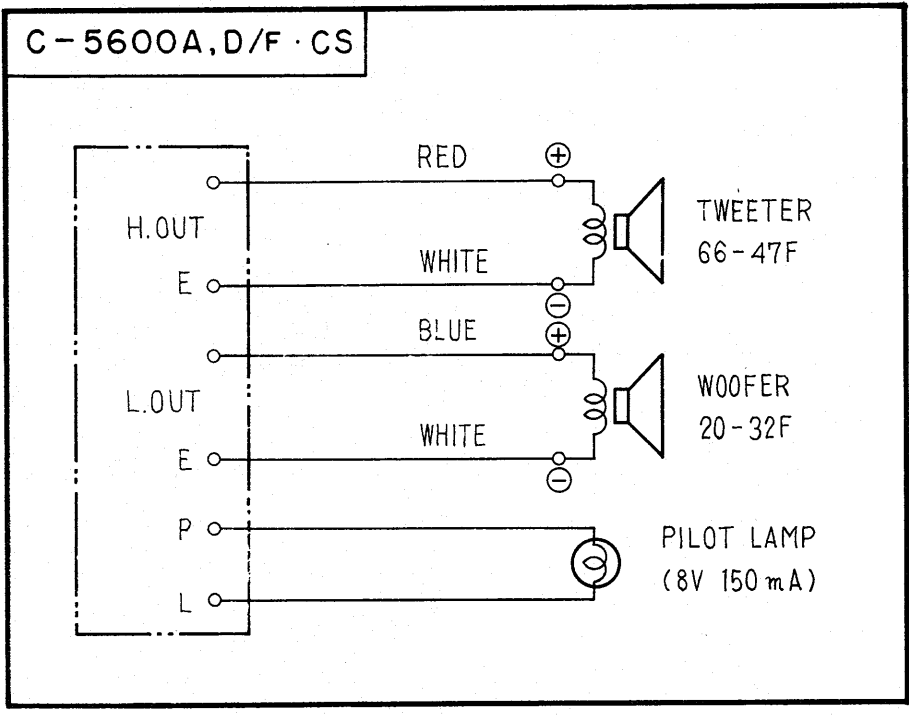
# POWER SUPPLY UNIT



TURNTABLE UNIT



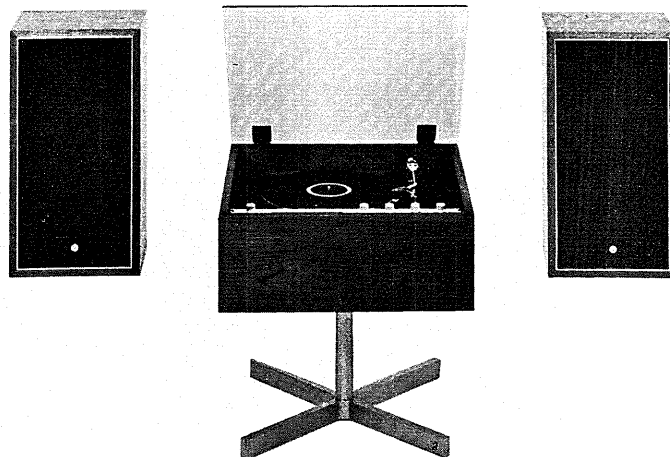
SPEAKER SYSTEM



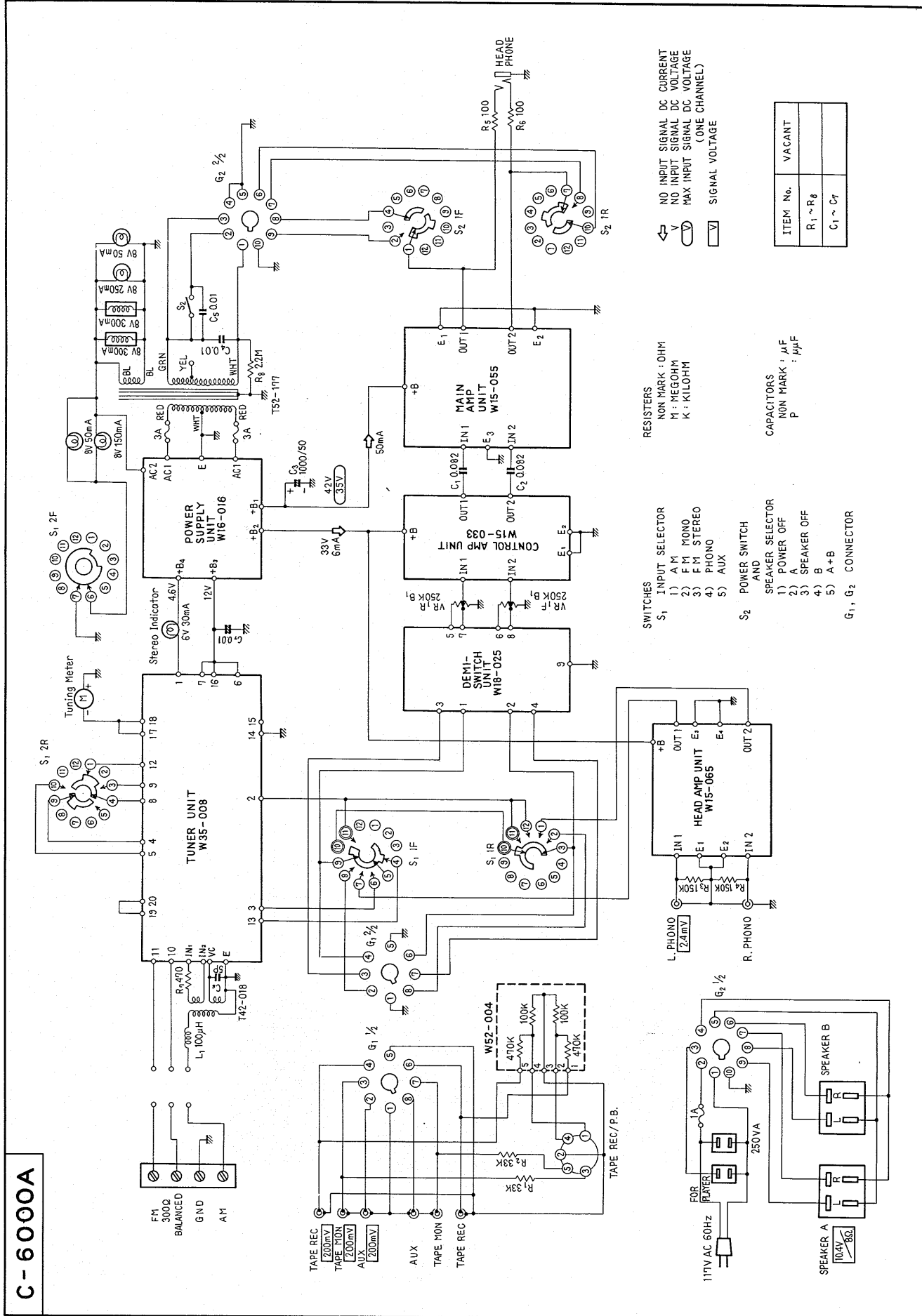


## COMPACT STEREO C-6000A

UNIT \ ROUND LABEL	K					
TUNER UNIT	W35-008					
FM FRONT END						
FM IF UNIT						
MPX UNIT						
AM TUNER UNIT						
MUTING UNIT						
HEAD AMP UNIT	W15-065					
CONTROL AMP UNIT	W15-033					
MAIN AMP UNIT	W15-055					
POWER SUPPLY UNIT	W16-016					
DEMISWITCH UNIT	W18-025					
SWITCH UNIT						
SWITCH UNIT						
TONE COLOR UNIT						
CONTROL UNIT						
MIC AMP UNIT						
REVERBE AMP UNIT						
REVERBE UNIT						
HEAD PHONE UNIT						



C-6000A



RESISTERS  
 NON MARK : OHM  
 M : MEGOHM  
 K : KILOHM

CAPACITORS  
 NON MARK :  $\mu$ F  
 P : pF

SWITCHES  
 S<sub>1</sub> INPUT SELECTOR  
 1) A M  
 2) F M MONO  
 3) F M STEREO  
 4) PHONO  
 5) AUX

S<sub>2</sub> POWER SWITCH  
 AND  
 SPEAKER SELECTOR  
 1) POWER OFF  
 2) SPEAKER OFF  
 4) B  
 5) A+B

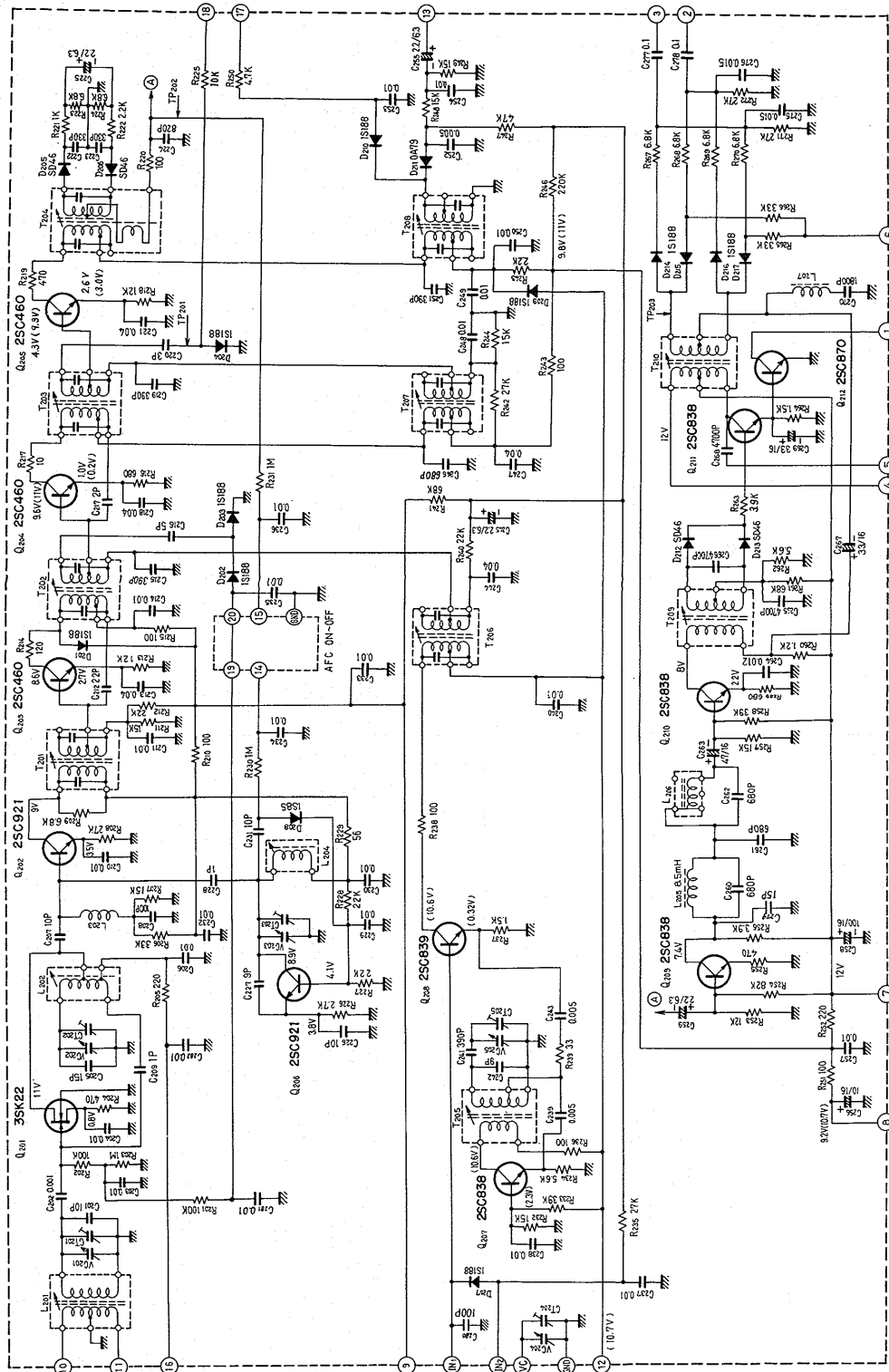
G<sub>1</sub>, G<sub>2</sub> CONNECTOR

NO INPUT SIGNAL DC CURRENT  
 NO INPUT SIGNAL DC VOLTAGE  
 MAX INPUT SIGNAL DC VOLTAGE (LONE CHANNEL)  
 SIGNAL VOLTAGE

ITEM No.	VACANT
R <sub>1</sub> ~ R <sub>8</sub>	
C <sub>1</sub> ~ C <sub>7</sub>	

TUNER UNIT

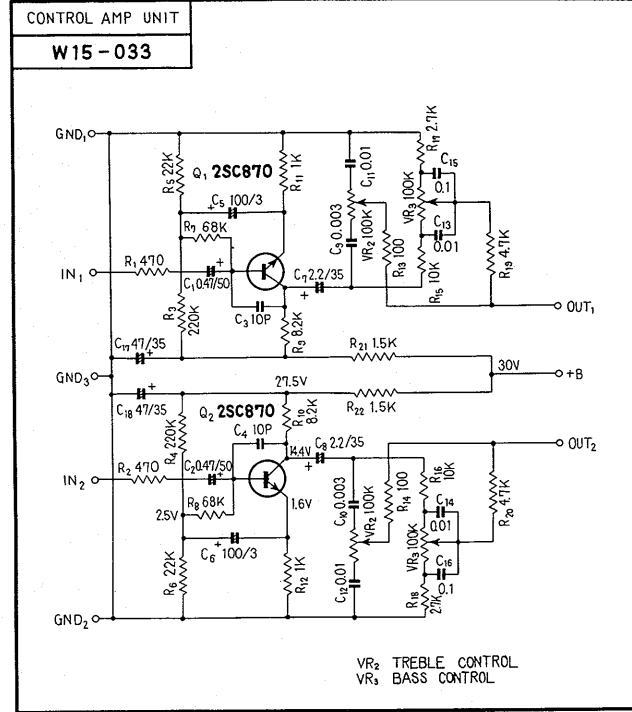
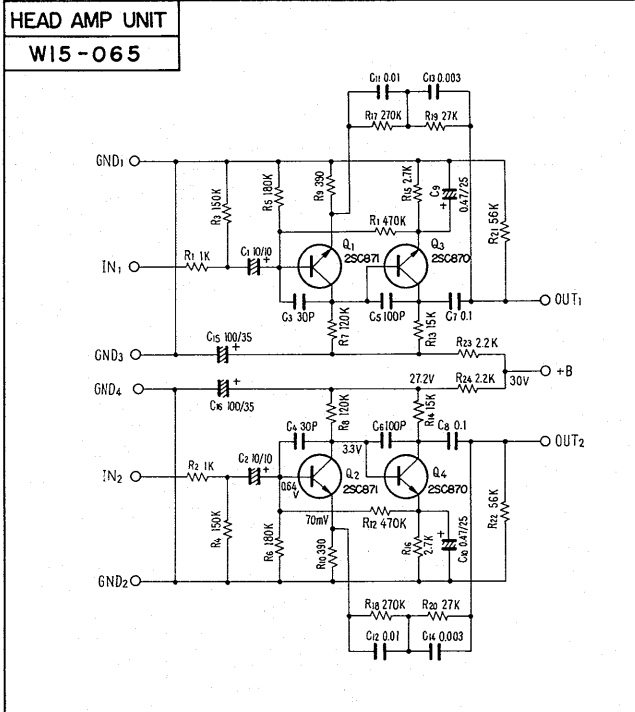
TUNER UNIT  
W35-008



V : DC VOLTAGE ( F M )  
( V ) : DC VOLTAGE ( A M )

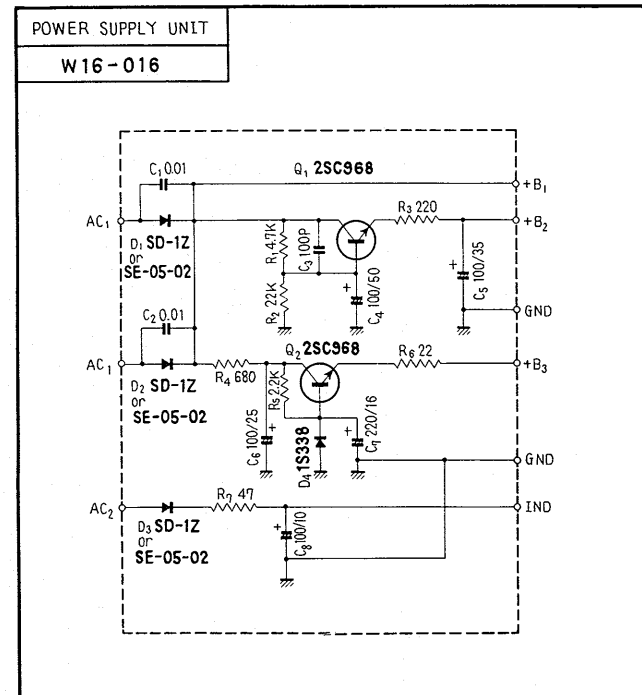
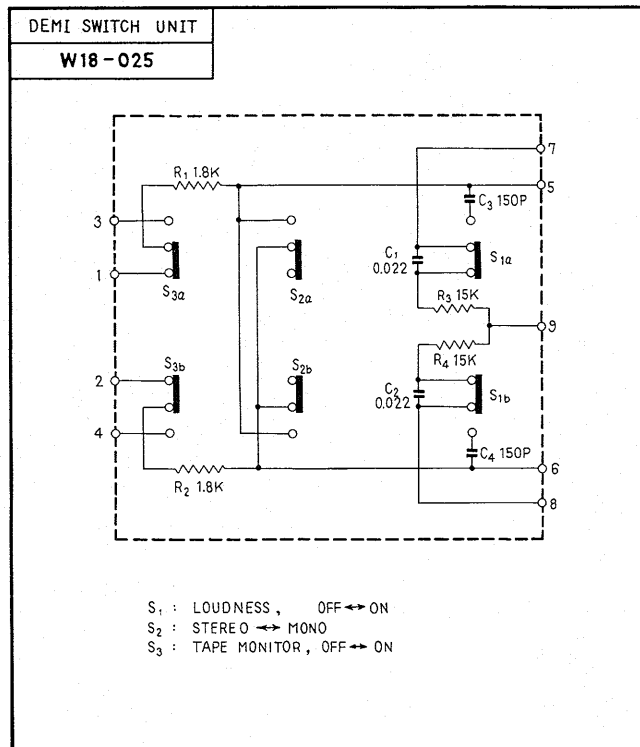
# HEAD AMP UNIT

# CONTROL AMP UNIT

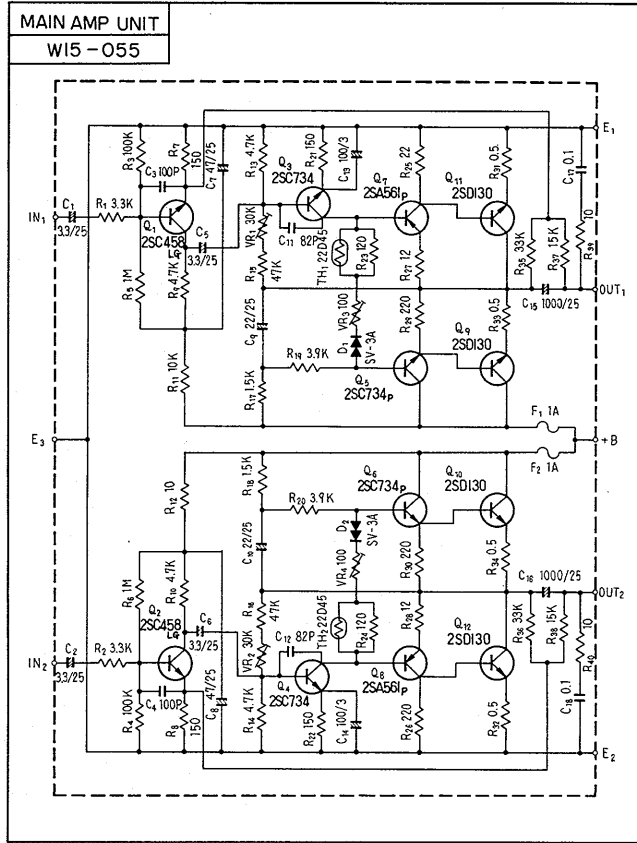


# DEMI SWITCH UNIT

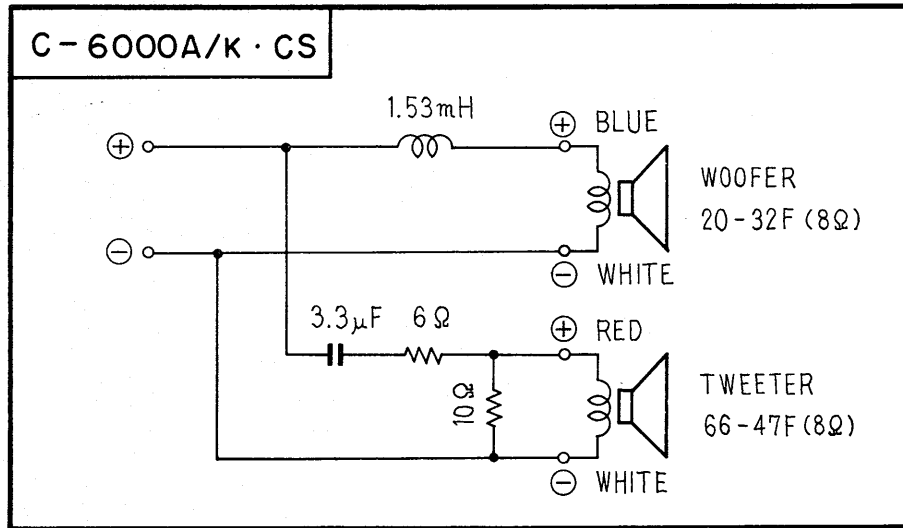
# POWER SUPPLY UNIT



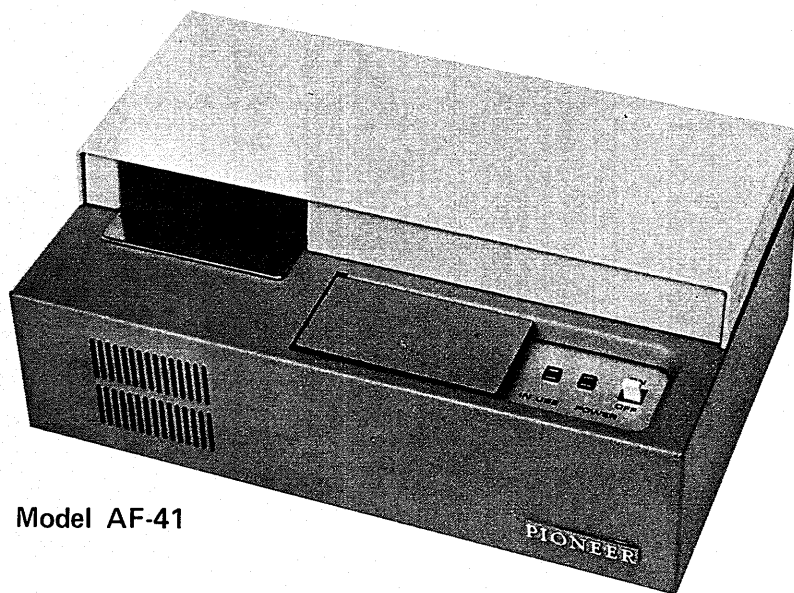
MAIN AMP UNIT



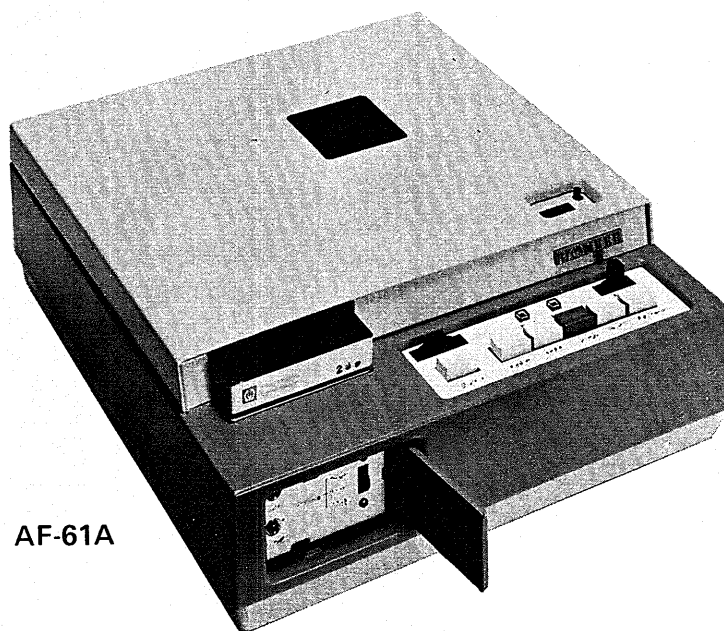
SPEAKER SYSTEM



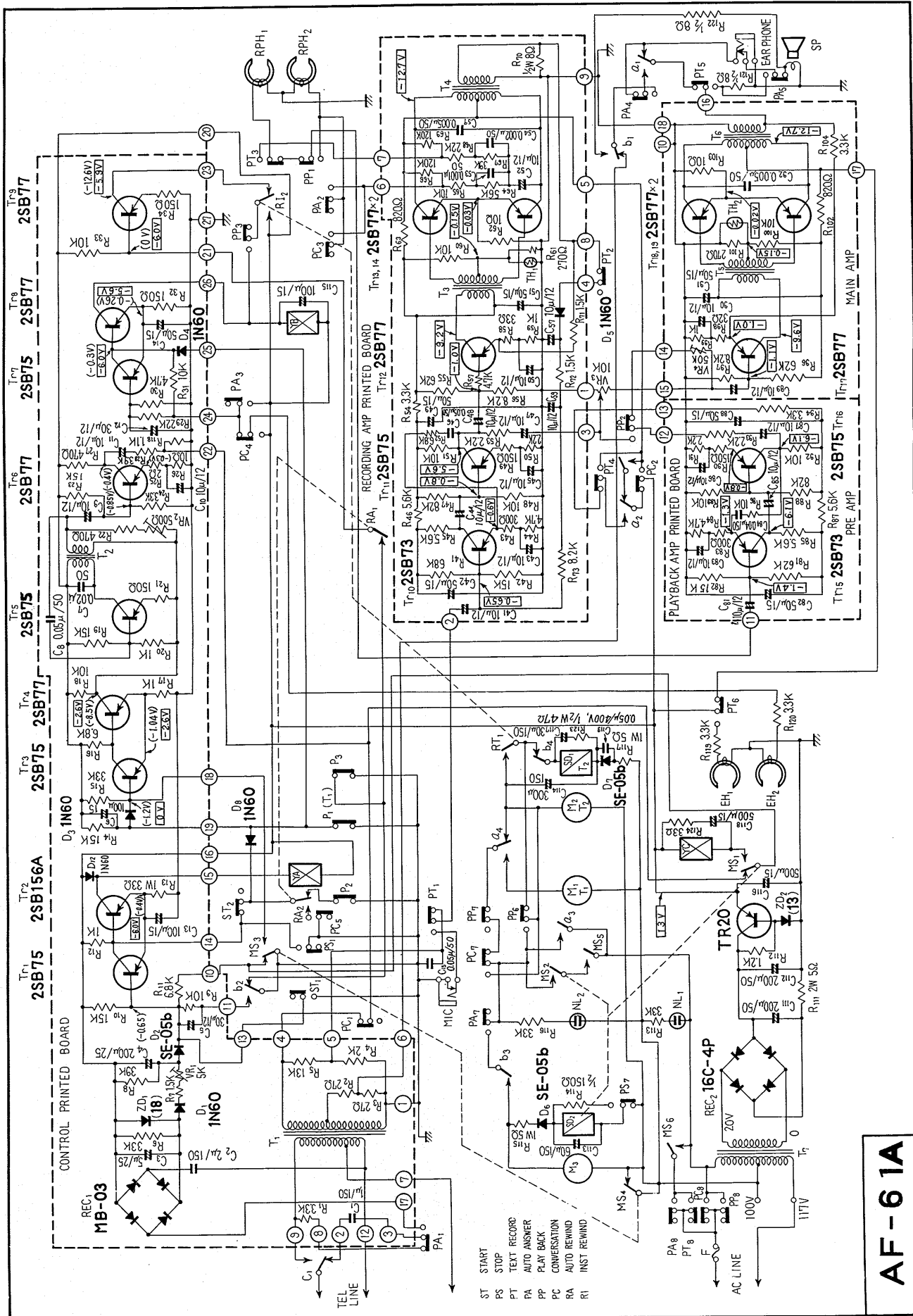
ANSAFONES



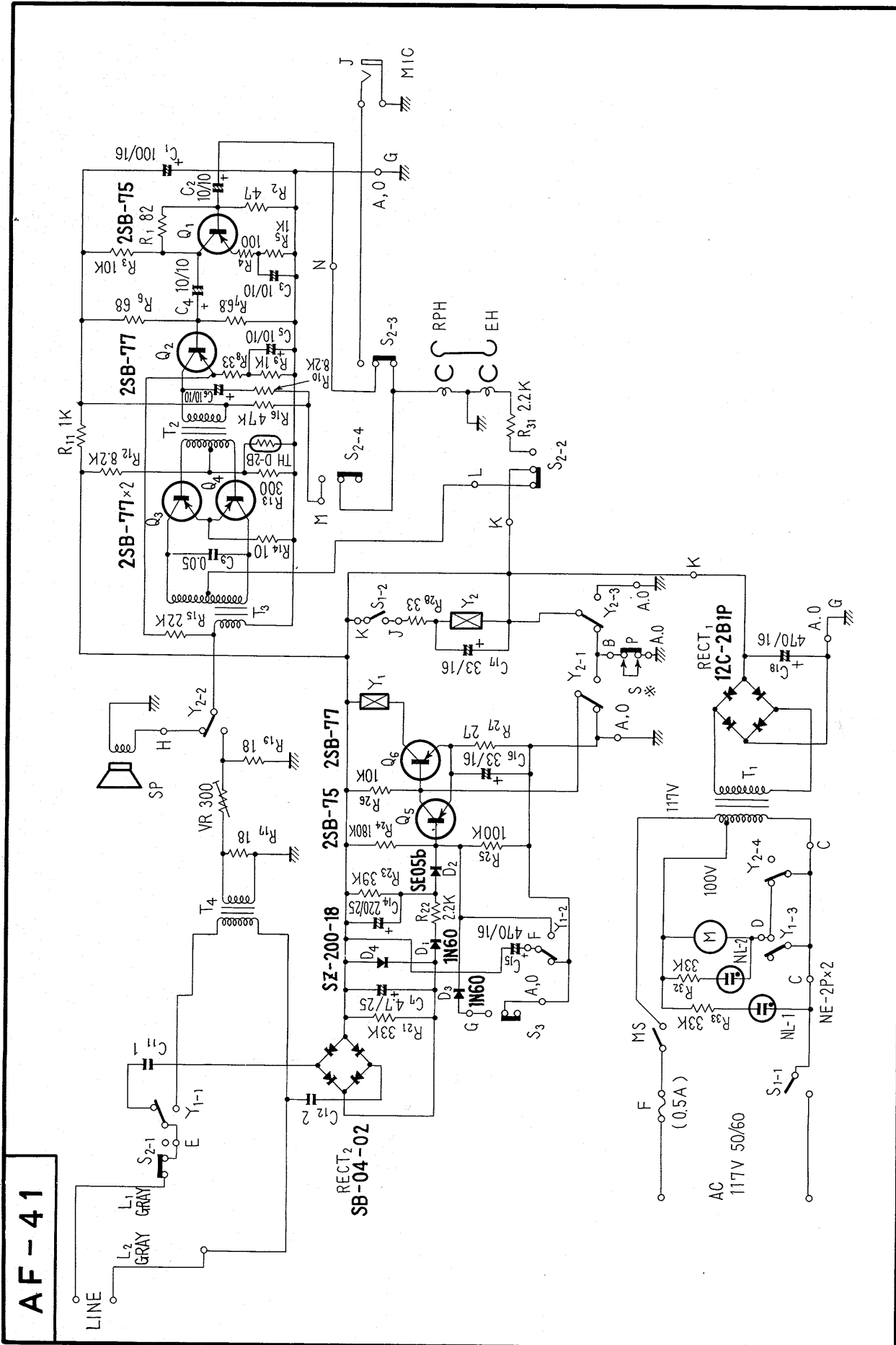
Model AF-41



Model AF-61A



**AF-61A**





**PIONEER ELECTRONIC CORPORATION**

15-5, 4-Chome, Ohmori-nishi, Ohta-ku, Tokyo, Japan

**U.S. PIONEER ELECTRONICS CORPORATION**

178 Commerce Road, Carlstadt, New Jersey 07072 U.S.A.

**PIONEER ELECTRONIC (EUROPE) N.V.**

Noorderlaan 83, 2030 Antwerp, Belgium

COPYRIGHT © JAN. 1972 PRINTED IN JAPAN